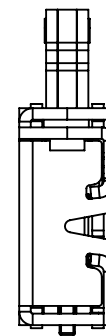
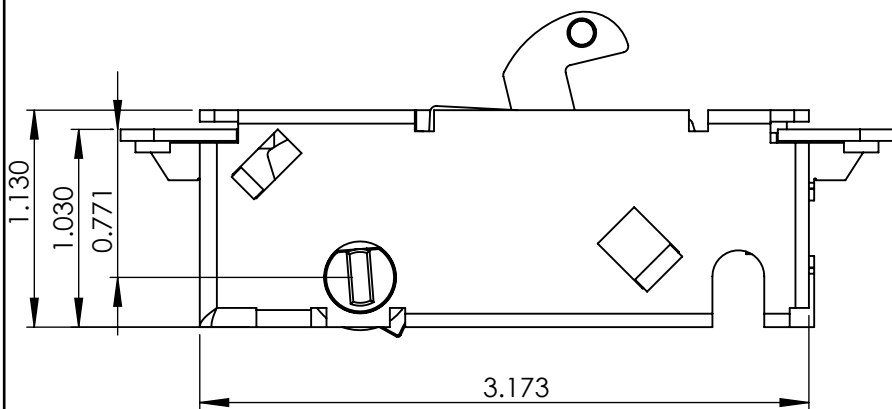
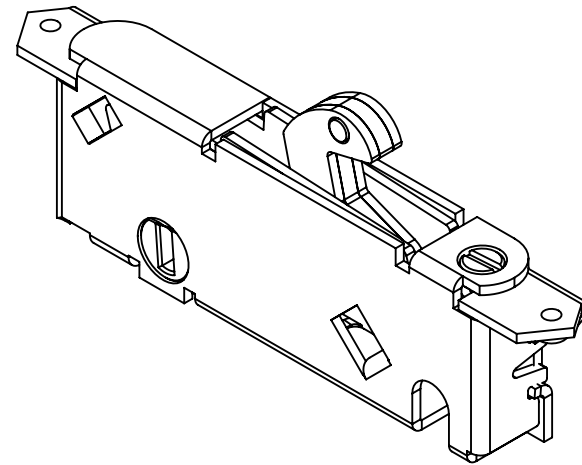
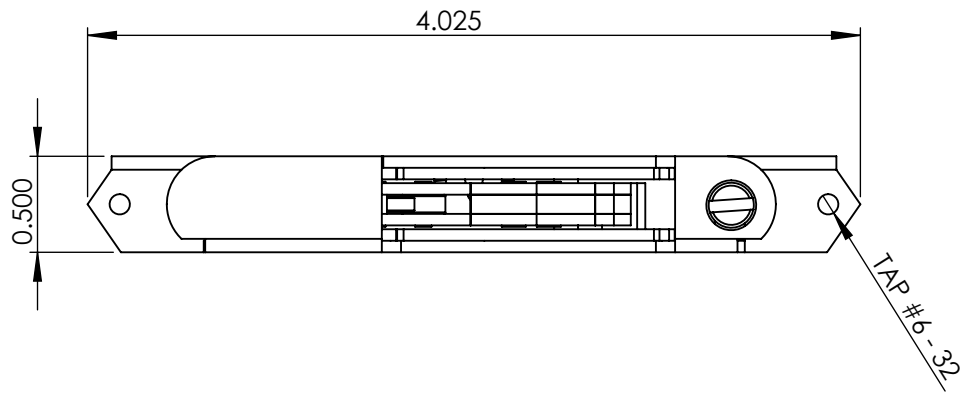
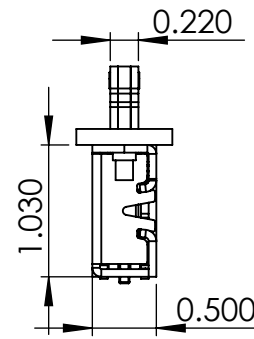
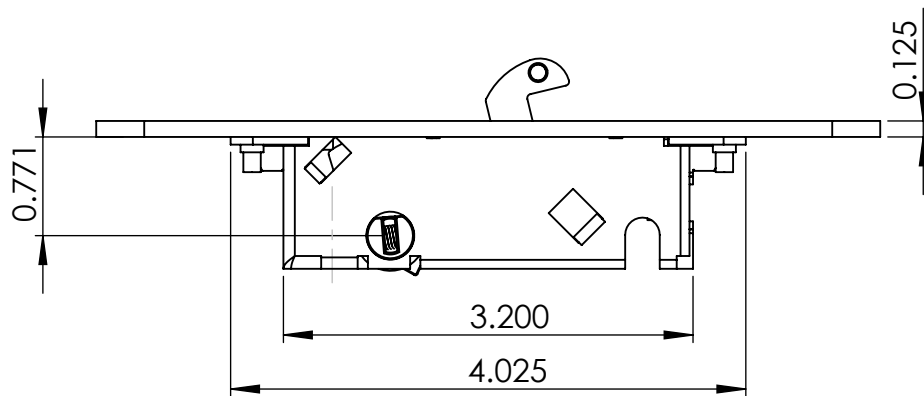
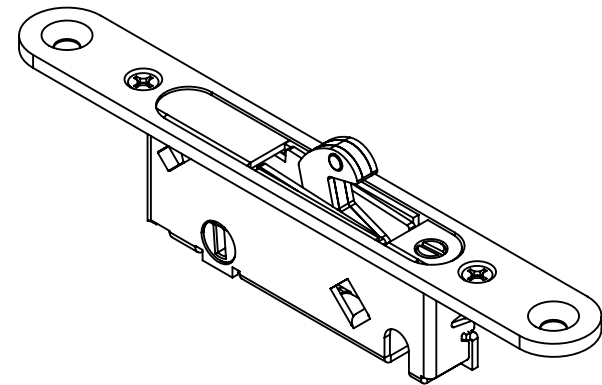
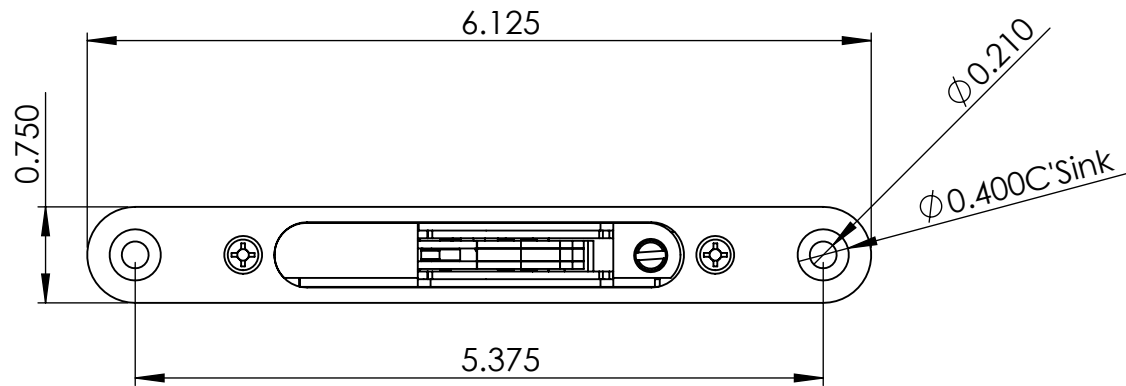


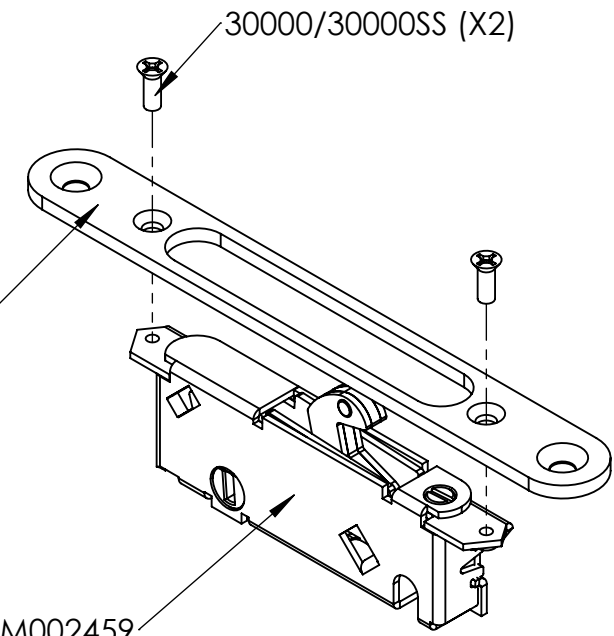
# #M002457 & M002459 Single Point Latch



# SINGLE POINT DEAD LATCH ASSEMBLY WITH FLAT TRIM PLATE



M003157/M003159



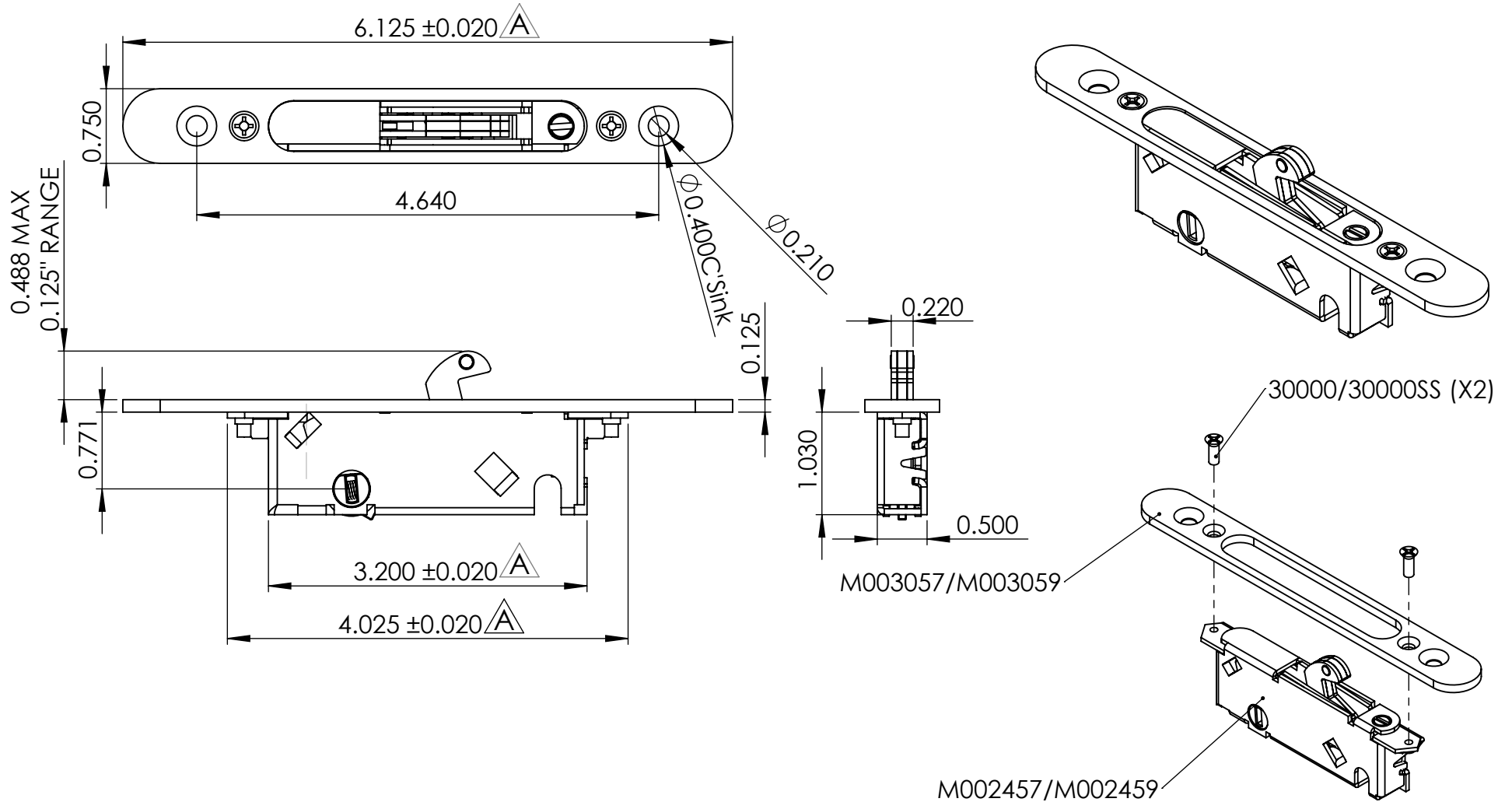
M002457/M002459

SP24573157: CARBON STEEL CLEAR ZINC PLATED  
M003157: FLAT TRIM PLATE, CLEAR ZINC PLATE  
M002457: SINGLE POINT LATCH, CLEAR ZINC PLATE  
30000 (X2): #6 - 32 X 3/8 FLAT QUADREX, CARBON STEEL, CLEAR ZINC PLATED

SP24593159: #304 STAINLESS STEEL  
M003159: FLAT TRIM PLATE, STAINLESS STEEL  
M002459: SINGLE POINT LATCH, STAINLESS STEEL  
30000SS (X2): #6 - 32 X 3/8 FLAT QUADREX, STAINLESS STEEL,

REVISIONS				
REV	DESCRIPTION	DATE	DRAWN BY	CHKCKED BY
A	TOLERANCE ADDED	17.07.04	F.CHEN	R.FURGIUELE

## SINGLE POINT DEAD LATCH ASSEMBLY WITH FLAT TRIM PLATE



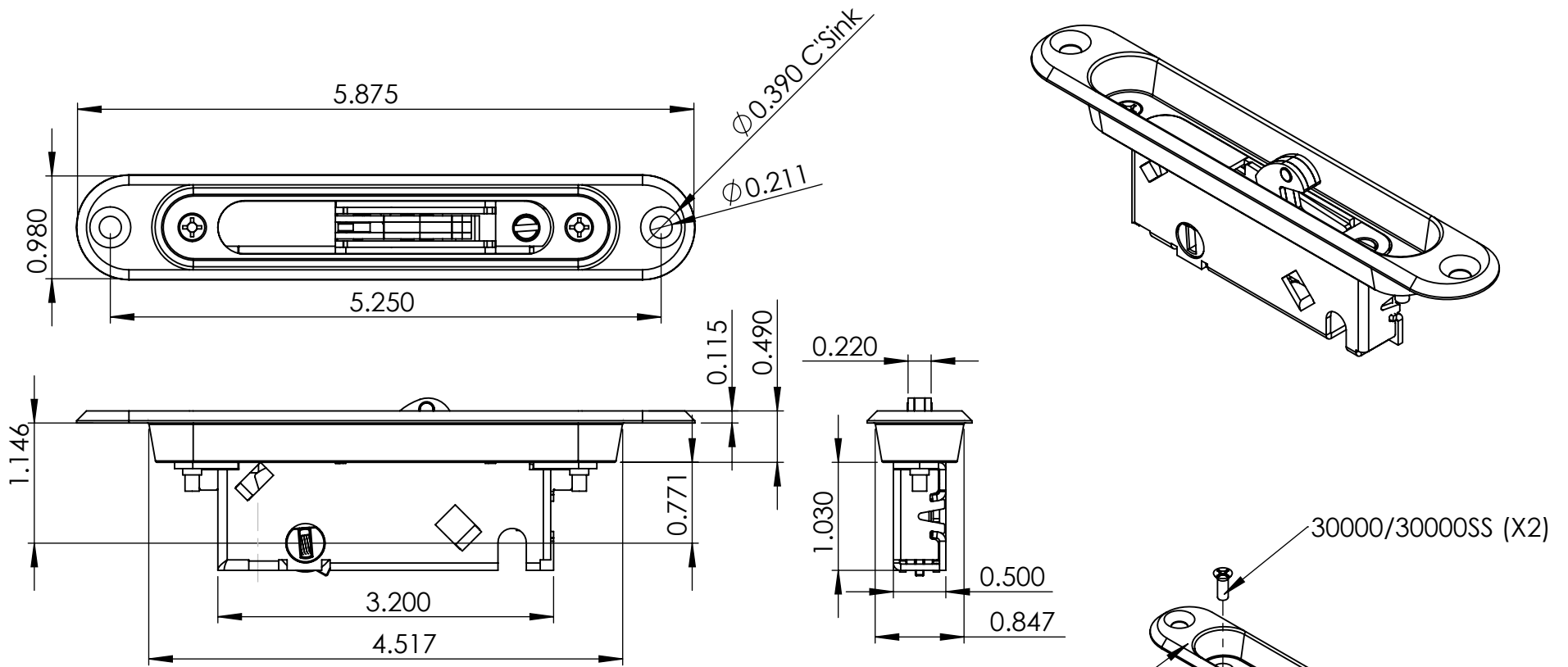
SP24573057: CARBON STEEL CLEAR ZINC PLATED  
 M003057: FLAT TRIM PLATE, CLEAR ZINC PLATE  
 M002457: SINGLE POINT LATCH, CLEAR ZINC PLATE  
 30000 (X2): #6 - 32 X 3/8 FLAT QUADREX, CARBON STEEL, CLEAR ZINC PLATED

SP24593059: #304 STAINLESS STEEL  
 M003059: FLAT TRIM PLATE, STAINLESS STEEL  
 M002459: SINGLE POINT LATCH, STAINLESS STEEL  
 30000SS (X2): #6 - 32 X 3/8 FLAT QUADREX, STAINLESS STEEL,

1. GENERAL TOLERANCE +/- .010" UNLESS NOTED;
2. DRAFT ANGLES AS REQUIRED UNLESS NOTED;
3. RADIUS .0156" UNLESS OTHERWISE SPECIFIED.

<b>ROTO FASCO CANADA INC.</b>			
SINLGE POINT LATCH W/ FLAT TRIM PLATE			
SCALE: 1:1.5	DATE: 2017-06-14		
DRAWN: F.CHEN	CHECKED: R.FURGIUELE		
MATERIAL: N/A			SHEET: 1 OF 1
DWG. NO. SP24573057/SP24593059	REV: A		

# SINGLE POINT DEAD LATCH ASSEMBLY WITH SHALLOW CUP TRIM PLATE



SP24571857: CARBON STEEL CLEAR ZINC PLATED  
M001857: FLAT TRIM PLATE, CLEAR ZINC PLATE  
M002457: SINGLE POINT LATCH, CLEAR ZINC PLATE  
30000 (X2): #6 - 32 X 3/8 FLAT QUADREX, CARBON STEEL, CLEAR ZINC PLATED

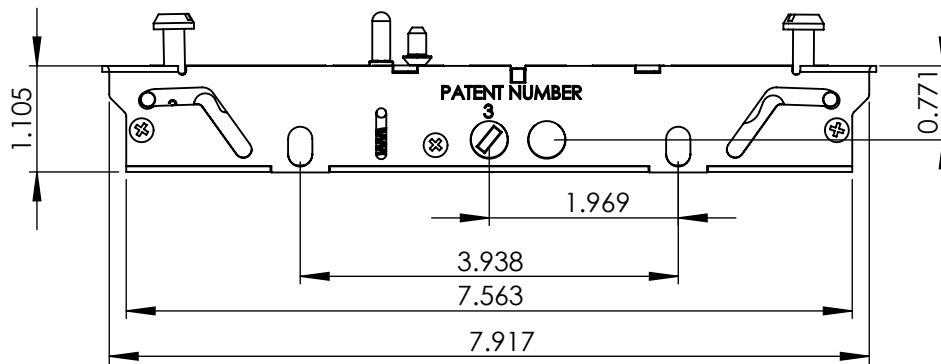
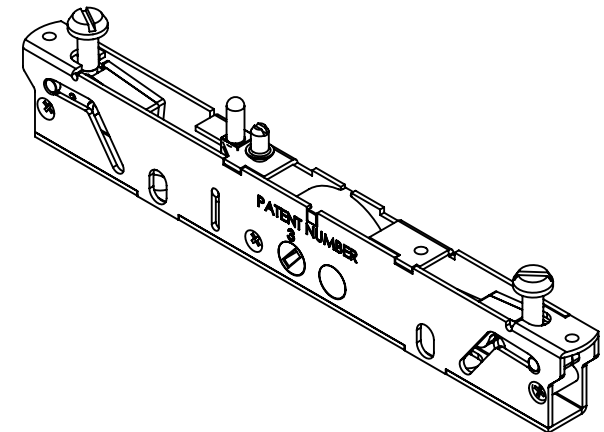
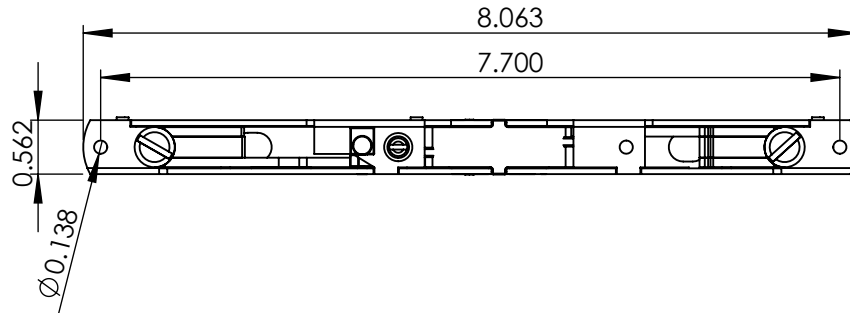
SP245918XX: #304 STAINLESS STEEL LATCH WITH PAINTED CUP TRIM PLATE  
M0018XX: STEEL CUP TRIM PLATE, PAINTED  
M002459: SINGLE POINT LATCH, STAINLESS STEEL  
30000SS (X2): #6 - 32 X 3/8 FLAT QUADREX, STAINLESS STEEL,

M002457/M002459

REVISIONS

REV	DESCRIPTION	DATE	DRAWN BY	CHKCKED BY

# MULTIPOINT LOCK - B POSITION DRIVE (3 & 6 HOLE DRILLING PATTERN)



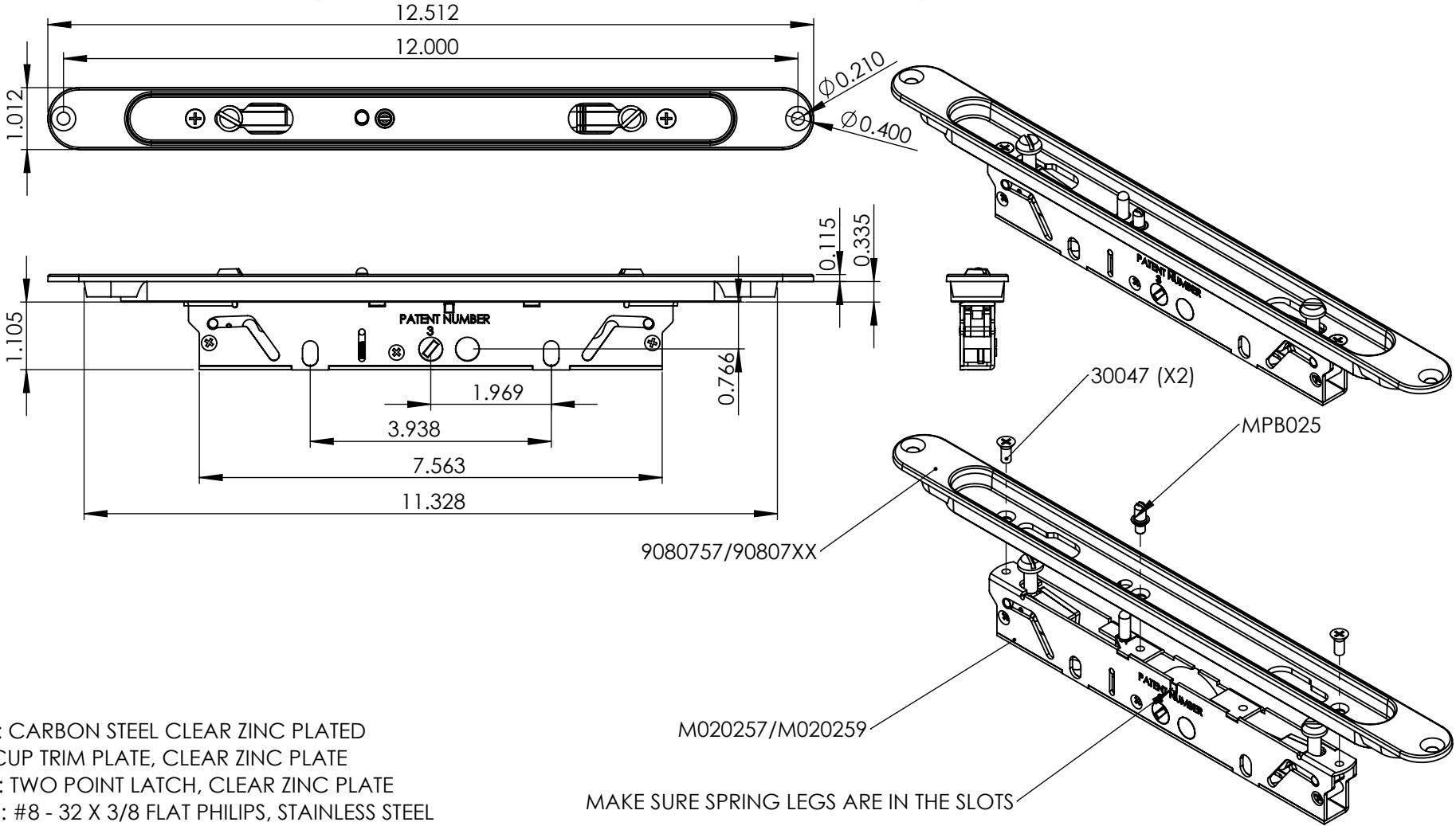
M0202B57: STEEL, CLEAR ZINC PLATED  
M0202B59: 304 STAINLESS STEEL  
TOLERANCE +/-0.010" UNLESS SPECIFIED OTHERWISE

1. GENERAL TOLERANCE +/-0.010" UNLESS NOTED;
2. DRAFT ANGLES AS REQUIRED UNLESS NOTED;
3. RADIUS .0156" UNLESS OTHERWISE SPECIFIED.

ROTO FASCO CANADA INC.			
2 PT LOCK, B POSITION 3 HOLE PATTERN			
SCALE: 1:2	DATE: 2014.06.18		
DRAWN: F.CHEN	CHECKED: R.FURGIUELE		
MATERIAL: N/A			SHEET: 1 OF 1
DWG. NO. M0202BXX			REV: -

REVISIONS				
REV	DESCRIPTION	DATE	DRAWN BY	CHKCKED BY

# MULTIPOINT LOCK W/ CUP TRIMPLATE - B POSITION DRIVE (3 & 6 HOLE DRILLING PATTERN)



MPBTB157: CARBON STEEL CLEAR ZINC PLATED  
 9080757: CUP TRIM PLATE, CLEAR ZINC PLATE  
 M0202B57: TWO POINT LATCH, CLEAR ZINC PLATE  
 30047 (X2): #8 - 32 X 3/8 FLAT PHILIPS, STAINLESS STEEL  
 MPB025: ANTI LIFT PIN

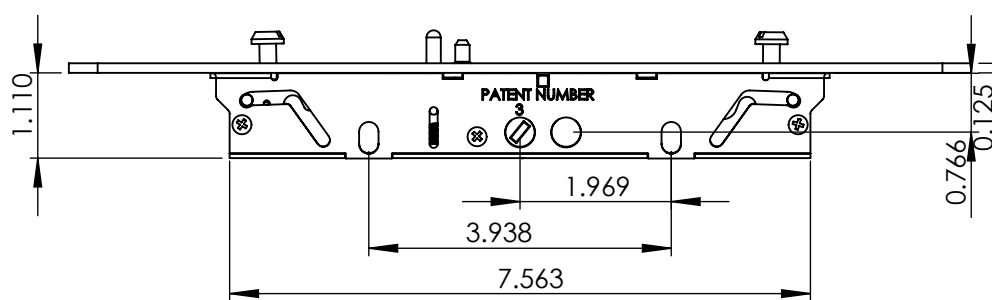
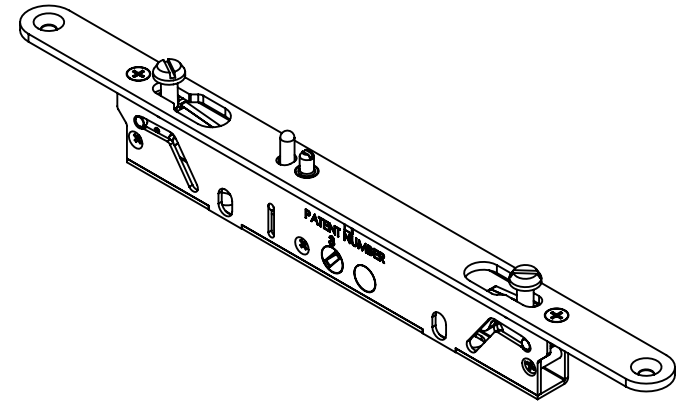
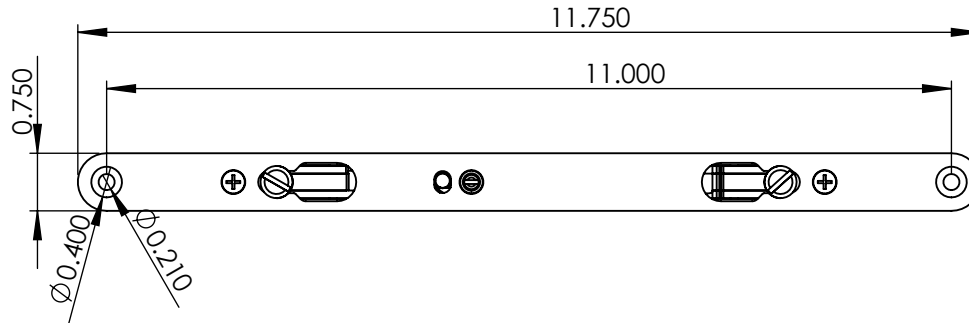
MPBTB159: #304 STAINLESS STEEL  
 90807XX: CUP TRIM PLATE, PAINTED  
 M0202B59: TWO POINT LATCH, STAINLESS STEEL  
 30047 (X2): #8 - 32 X 3/8 FLAT PHILIPS, STAINLESS STEEL  
 MPB025: ANTI LIFT PIN

MAKE SURE SPRING LEGS ARE IN THE SLOTS

ROTO FASCO CANADA INC.	
TWO POINT LOCK W/ CUP TRIM PLATE, 3 HOLE	
SCALE: 1:2.5	DATE: 2017-06-14
DRAWN: F.CHEN	CHECKED: R.FURGIUELE
MATERIAL: N/A	SHEET: 1 OF 1
DWG. NO. MPBTB157/MPBTB159	REV: -

1. GENERAL TOLERANCE +/- .010" UNLESS NOTED;
2. DRAFT ANGLES AS REQUIRED UNLESS NOTED;
3. RADIUS .0156" UNLESS OTHERWISE SPECIFIED.

# MULTIPOINT LOCK W/ FLAT TRIMPLATE- B POSITION DRIVE (3 & 6 HOLE DRILLING PATTERN)

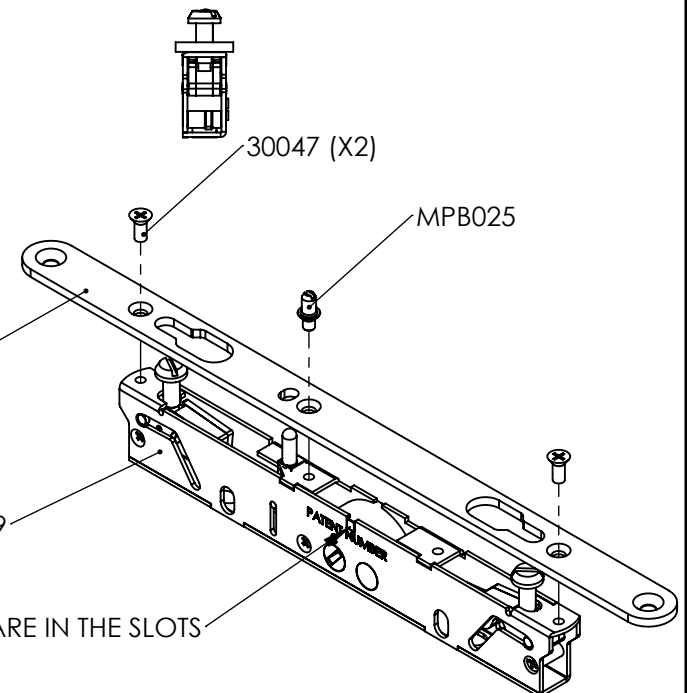


MPBTB257: CARBON STEEL CLEAR ZINC PLATED  
 M020157: FLAT TRIM PLATE, CLEAR ZINC PLATE  
 M0202B57: TWO POINT LATCH, CLEAR ZINC PLATE  
 30047 (X2): #8 - 32 X 3/8 FLAT PHILIPS, STAINLESS STEEL  
 MPB025: ANTI LIFT PIN

MPBTB259: #304 STAINLESS STEEL  
 M020159: FLAT TRIM PLATE, STAINLESS STEEL  
 M0202B59: TWO POINT LATCH, STAINLESS STEEL  
 30047 (X2): #8 - 32 X 3/8 FLAT PHILIPS, STAINLESS STEEL  
 MPB025: ANTI LIFT PIN

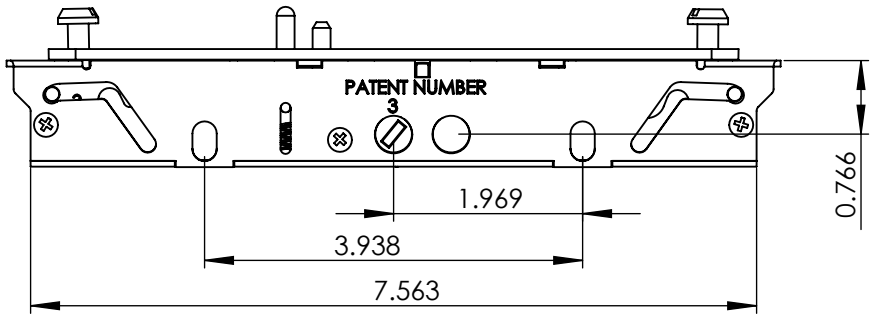
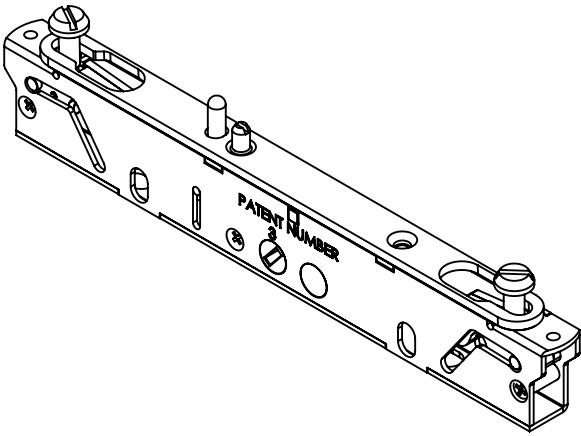
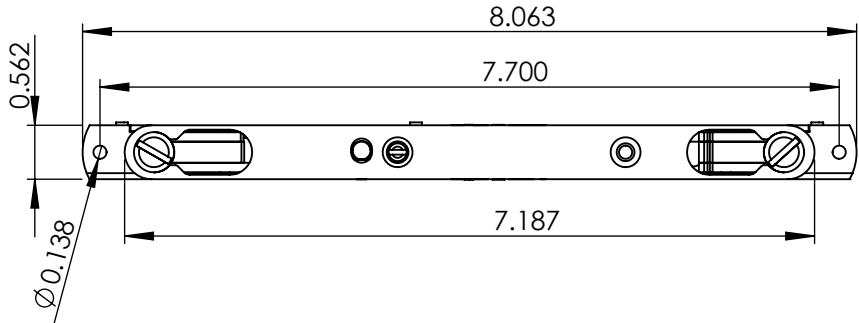
M020157/M020159

M0202B57/M0202B59



BE SURE THAT SPRING LEGS ARE IN THE SLOTS

# MULTIPOINT LOCK W/ TUCK STYLE TRIMPLATE- B POSITION DRIVE (3 & 6 HOLE DRILLING PATTERN)

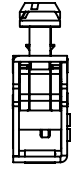
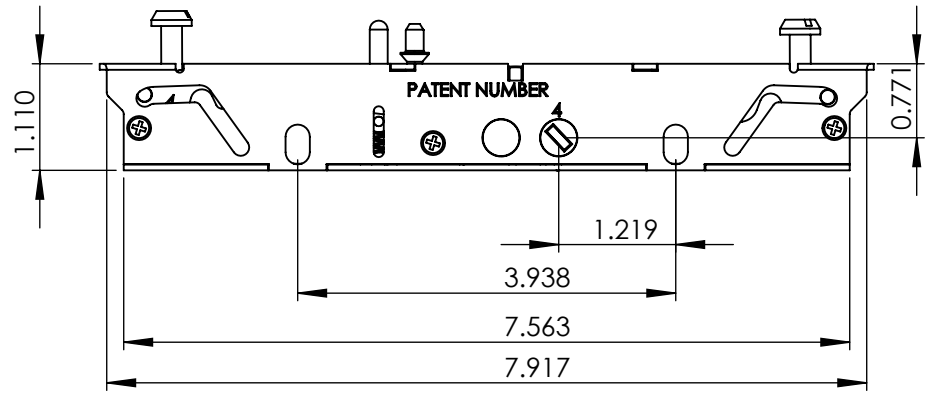
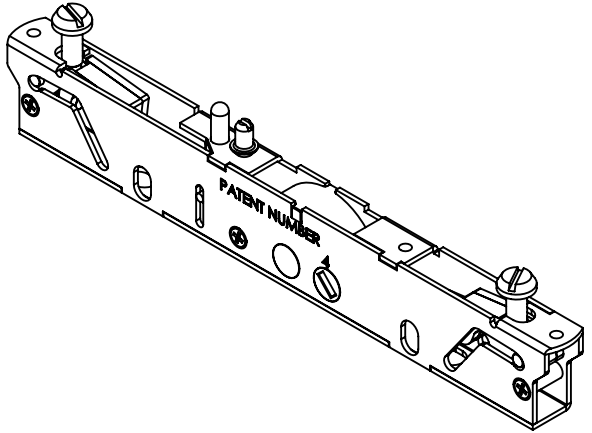
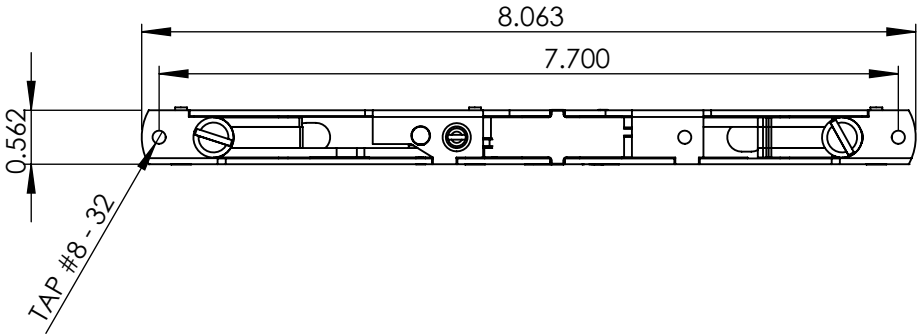


MPBTB657: STEEL CLEAR ZINC PLATED  
MPBTB659XX: 304 STAINLESS STEEL /W  
PAINTED TRIMPLATE



REVISIONS				
REV	DESCRIPTION	DATE	DRAWN BY	CHKCKED BY

# MULTIPOINT LOCK - A POSITION DRIVE (4 HOLE DRILLING PATTERN)



M0202A57: STEEL, CLEAR ZINC PLATED  
M0202A59: 304 STAINLESS STEEL  
TOLERANCE +/-0.010" UNLESS SPECIFIED OTHERWISE

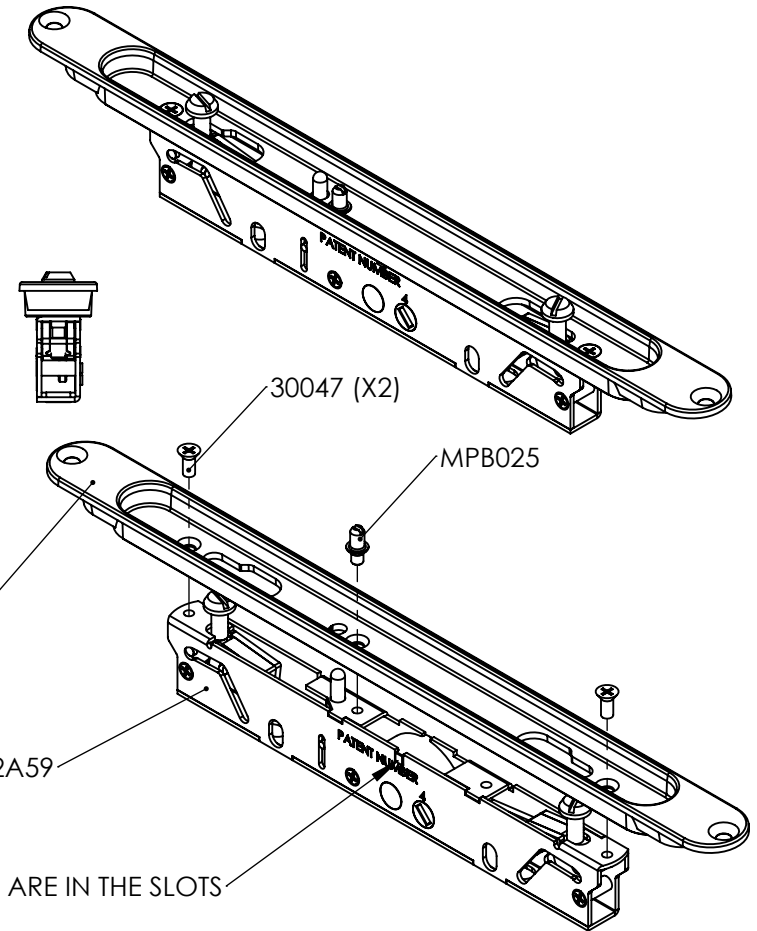
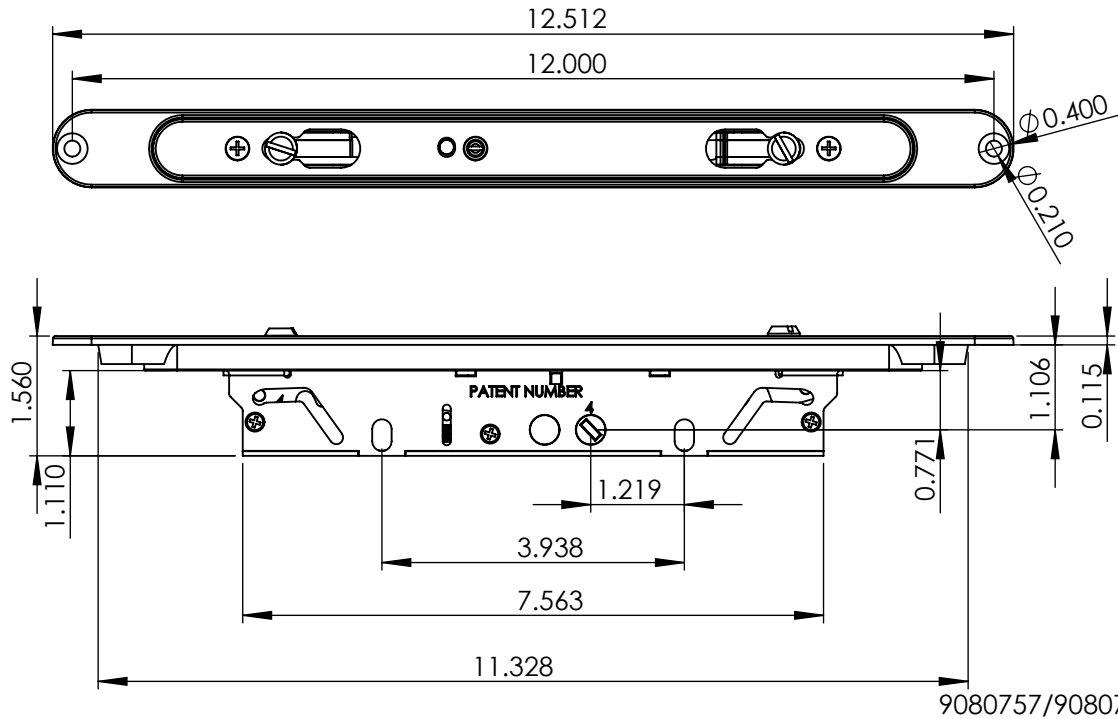
1. GENERAL TOLERANCE +/-0.010" UNLESS NOTED;
2. DRAFT ANGLES AS REQUIRED UNLESS NOTED;
3. RADIUS .0156" UNLESS OTHERWISE SPECIFIED.

ROTO FASCO CANADA INC.			
2PT LOCK, A POSITION, 4 HOLE PATTERN			
SCALE: 1:2	DATE: 2014.06.18		
DRAWN: F.CHEN	CHECKED: R.FURGIUELE		
MATERIAL: N/A			SHEET: 1 OF 1
DWG. NO. M0202AXX			REV: -

REVISIONS

REV	DESCRIPTION	DATE	DRAWN BY	CHKCKED BY

# MULTIPOINT LOCK W/ CUP TRIMPLATE- A POSITION DRIVE (4 HOLE DRILLING PATTERN)



MPBTA157: CARBON STEEL CLEAR ZINC PLATED  
 9080757: CUP TRIM PLATE, CLEAR ZINC PLATE  
 M0202A57: TWO POINT LATCH, CLEAR ZINC PLATE  
 30047 (X2): #8 - 32 X 3/8 FLAT PHILIPS, STAINLESS STEEL  
 MPB025: ANTI LIFT PIN

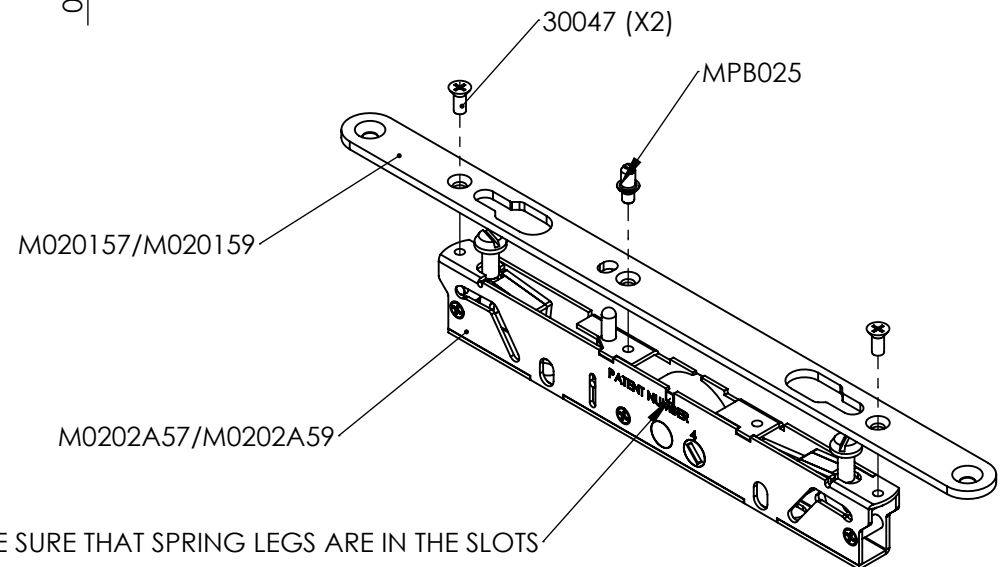
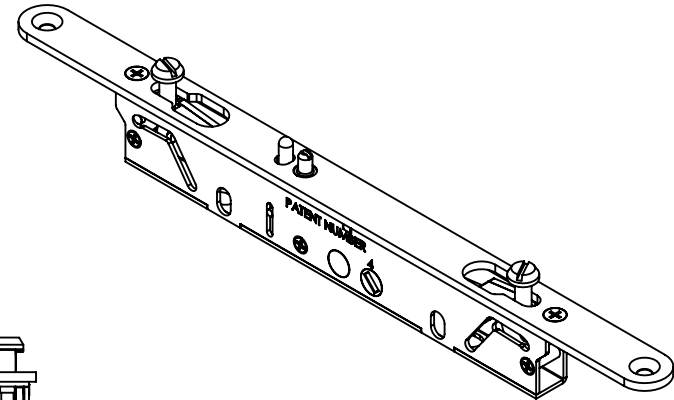
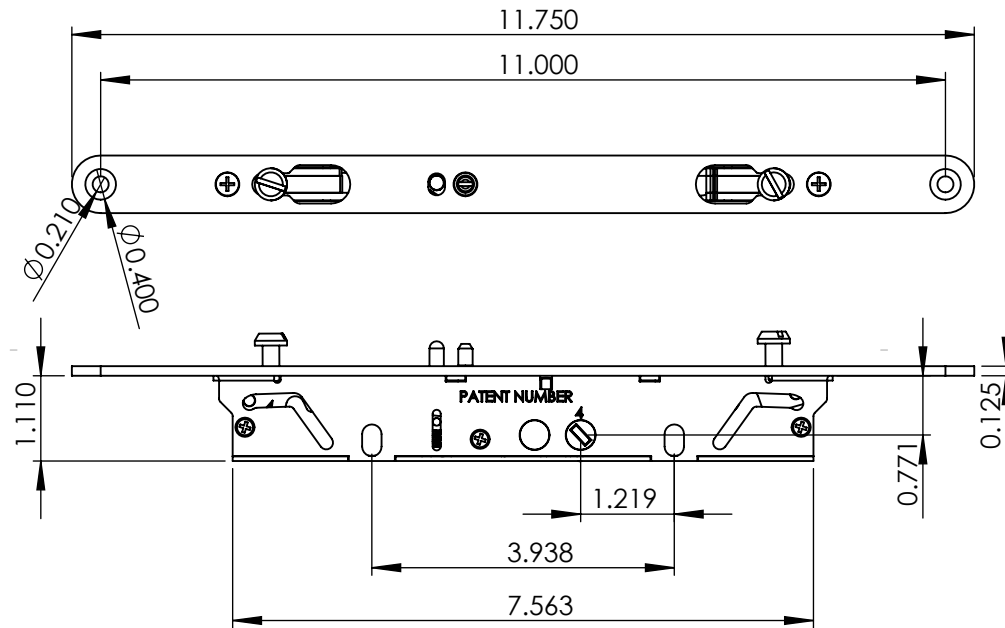
MPBTA159: #304 STAINLESS STEEL  
 90807XX: CUP TRIM PLATE, PAINTED  
 M0202A59: TWO POINT LATCH, STAINLESS STEEL  
 30047 (X2): #8 - 32 X 3/8 FLAT PHILIPS, STAINLESS STEEL  
 MPB025: ANTI LIFT PIN

MAKE SURE SPRING LEGS ARE IN THE SLOTS

ROTO FASCO CANADA INC.			
TWO POINT LOCK W/ CUP TRIM PLATE, 4 HOLE			
SCALE: 1:2.5	DATE: 2017-06-14		
DRAWN: F.CHEN	CHECKED: R.FURGIUELE		
MATERIAL: N/A			SHEET: 1 OF 1
DWG. NO. MPBTA157/MPBTA159	REV: -		

1. GENERAL TOLERANCE +/- .010" UNLESS NOTED;
2. DRAFT ANGLES AS REQUIRED UNLESS NOTED;
3. RADIUS .0156" UNLESS OTHERWISE SPECIFIED.

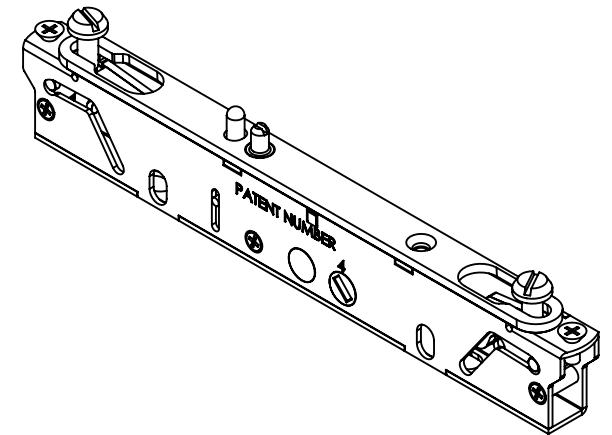
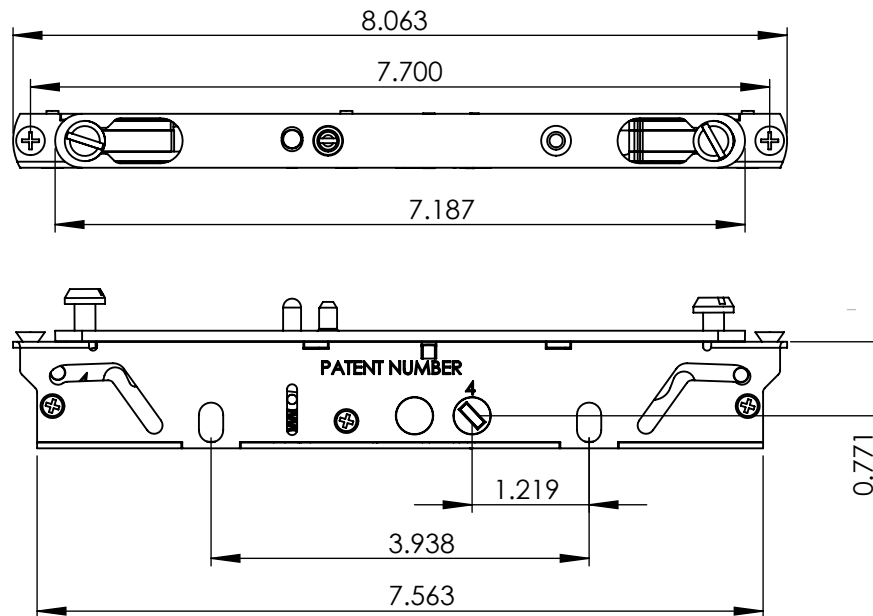
# MULTIPOINT LOCK W/ FLAT TRIMPLATE- A POSITION DRIVE (4 HOLE DRILLING PATTERN)



MPBTA257: CARBON STEEL CLEAR ZINC PLATED  
M020157: FLAT TRIM PLATE, CLEAR ZINC PLATE  
M0202A57: TWO POINT LATCH, CLEAR ZINC PLATE  
30047 (X2): #8 - 32 X 3/8 FLAT PHILIPS, STAINLESS STEEL  
MPB025: ANTI LIFT PIN

MPBTA259: #304 STAINLESS STEEL  
M020159: FLAT TRIM PLATE, STAINLESS STEEL  
M0202A59: TWO POINT LATCH, STAINLESS STEEL  
30047 (X2): #8 - 32 X 3/8 FLAT PHILIPS, STAINLESS STEEL  
MPB025: ANTI LIFT PIN

# MULTIPOINT LOCK W/ TUCK STYLE TRIMPLATE- A POSITION DRIVE (4 HOLE DRILLING PATTERN)



MPBTA657XX: STEEL CLEAR ZINC PLATED  
MPBTA659XX: 304 STAINLESS STEEL W/  
PAINTED TRIMPLATE

# VA-3200115 2-Point Mortise Lock with VA-3200139 Trim Plate

