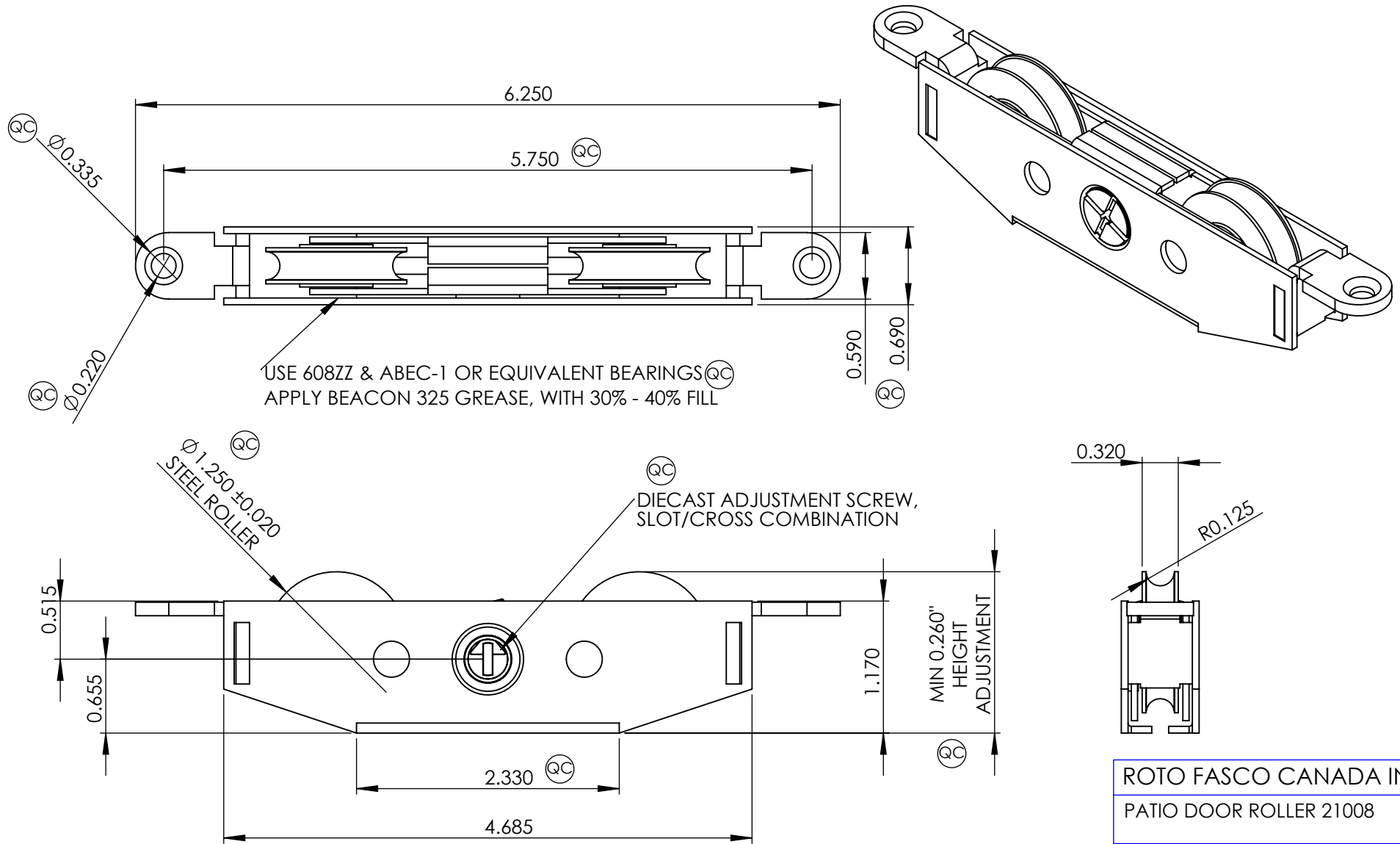


REVISIONS

REV	DESCRIPTION	DATE	DRAWN BY	CHKCKED BY
A	WITH DIECAST ADJUSTMENT SCREW	16.01.05	F.CHEN	R.FURGIUELE

PATIO DOOR ROLLER #21008



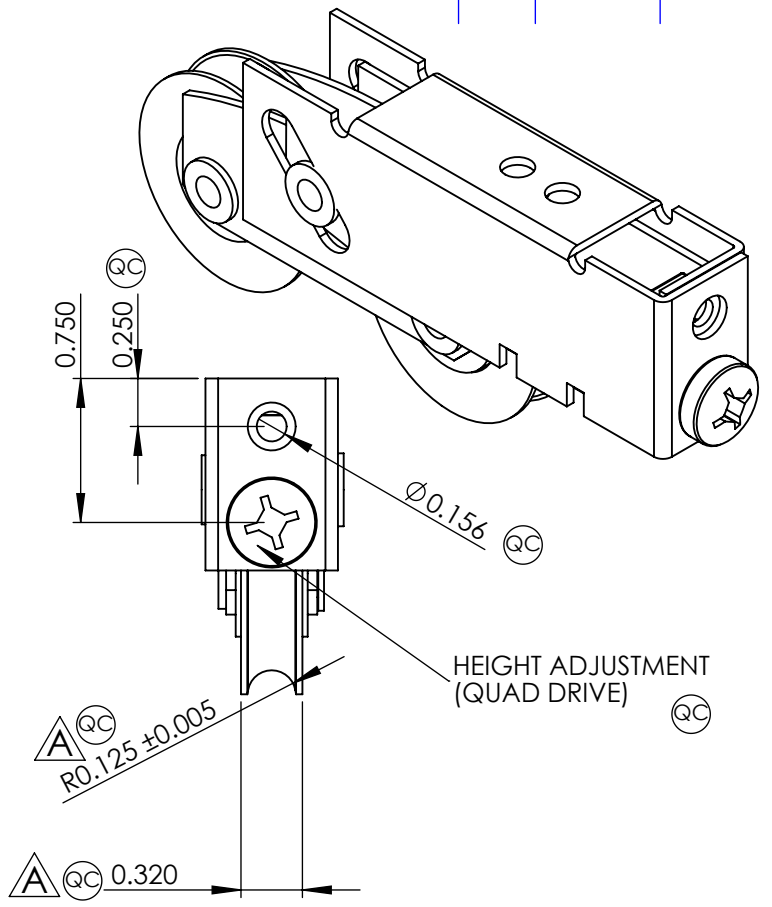
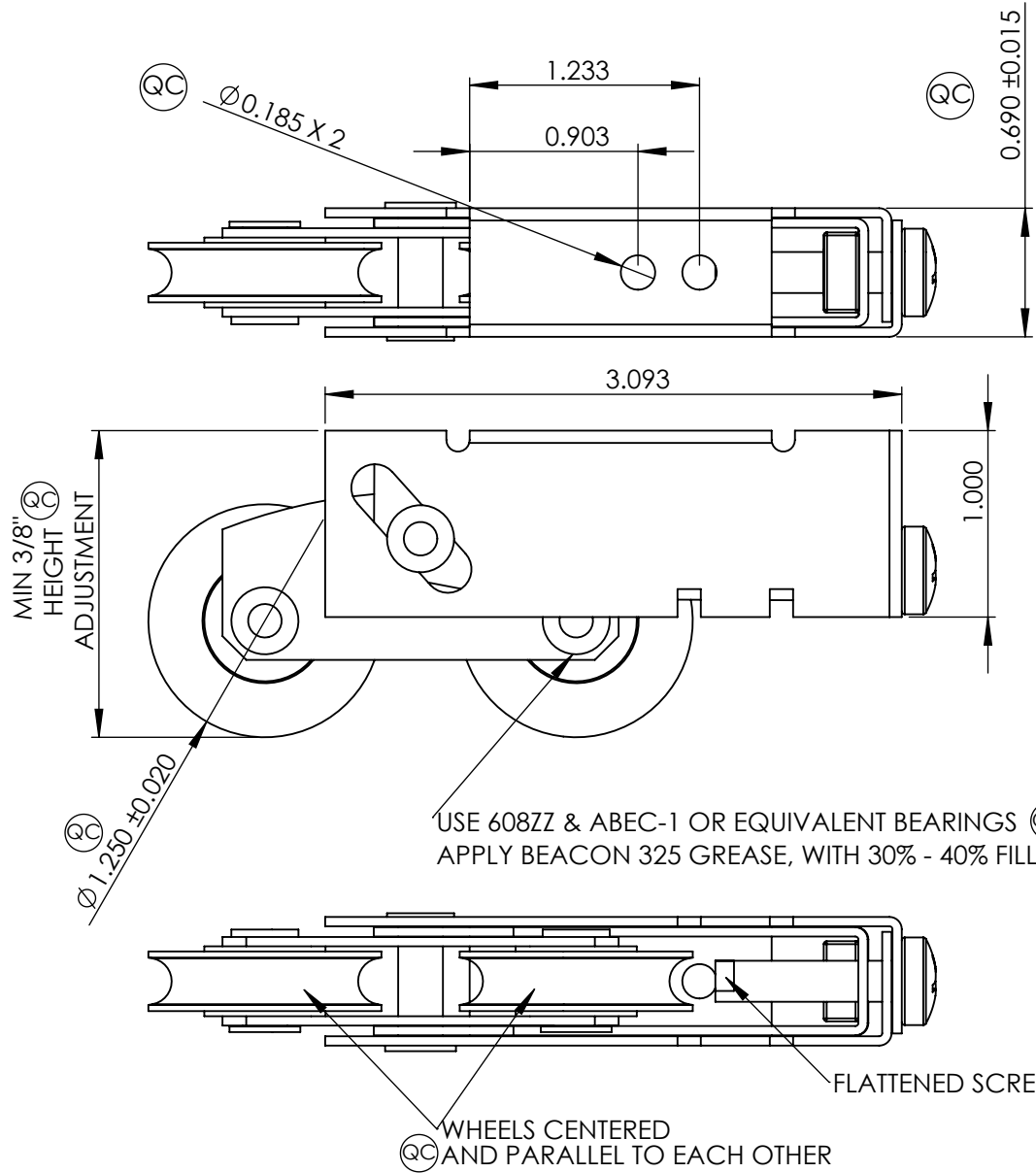
NOTE:
TOTAL INDICATOR READING (TIR): 0.006" Max

1. GENERAL TOLERANCE +/- .010" UNLESS NOTED;
2. DRAFT ANGLES AS REQUIRED UNLESS NOTED;
3. RADIUS .0156" UNLESS OTHERWISE SPECIFIED.

ROTO FASCO CANADA INC.
PATIO DOOR ROLLER 21008

SCALE: 1:1.25	DATE: 14.03.10
DRAWN: F.CHEN	CHECKED: R.FURGIUELE
MATERIAL: N/A	SHEET: 1 OF 1
DWG. NO. 21008	REV: A

REVISIONS				
REV	DESCRIPTION	DATE	DRAWN BY	CHKCKED BY
A	DIMENSIONS ADDED	16.05.03	F.CHEN	R.FURGIUELE



PATIO DOOR ROLLER #21000/21000SS

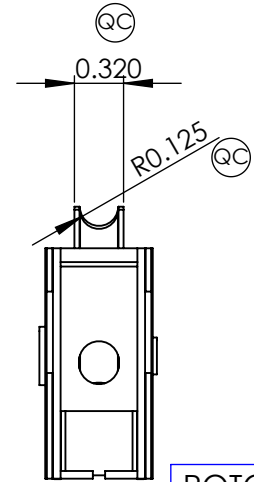
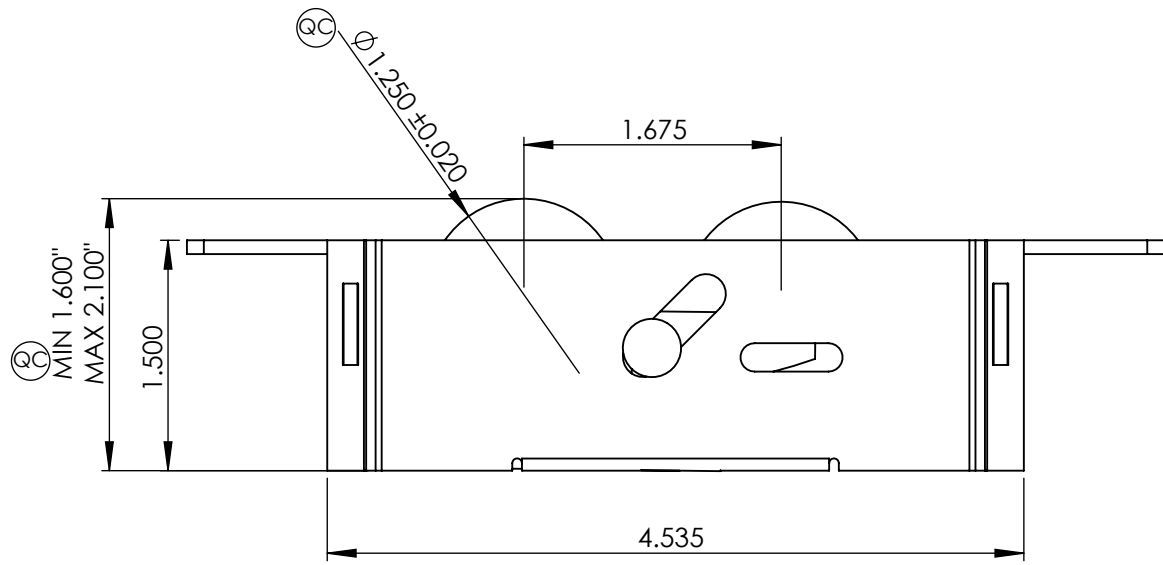
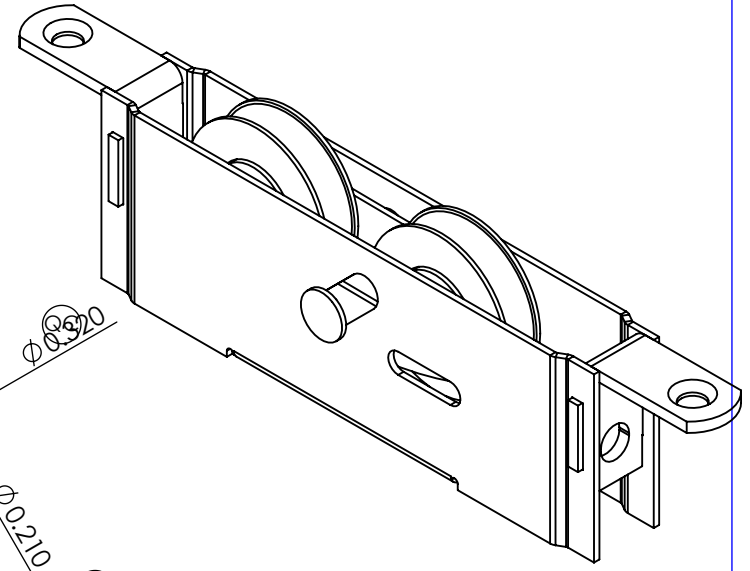
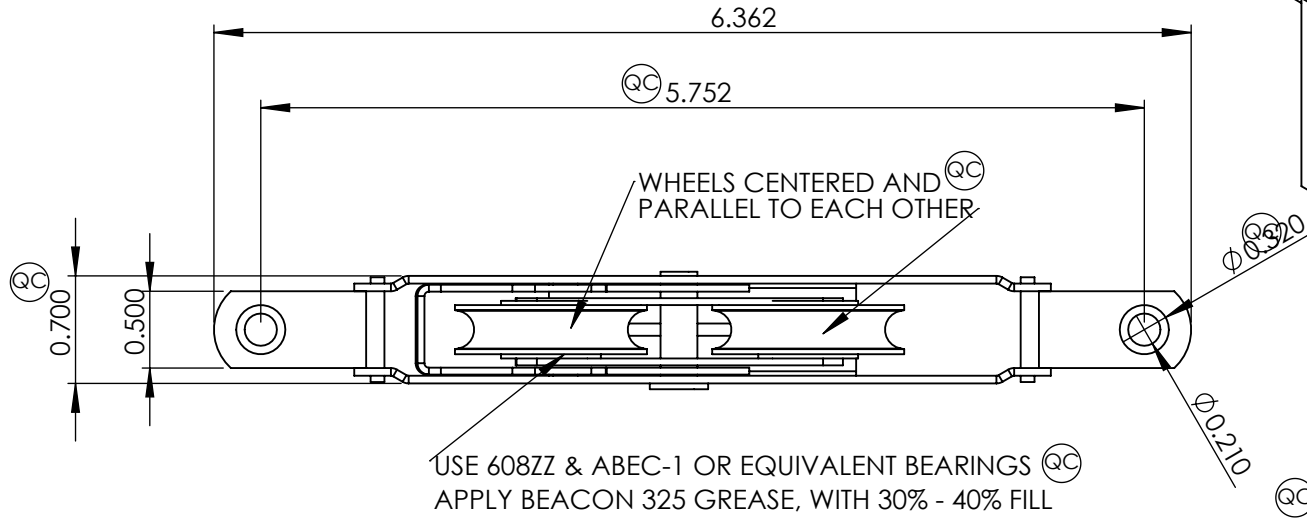
NOTE:
 21000:
 FINISH: YELLOW ZINC DICHROMATE 6 MICROMETER
 PART TO BE TREATED WITH ANTI COROSSION OIL AFTER PLATING
 (TAIYANG 1208 OR APPROVED EQUAL)
 21000SS:
 STAINLESS STEEL
 TOTAL INDICATOR READING (TIR): 0.006" Max

1. GENERAL TOLERANCE ± 0.010 " UNLESS NOTED;
2. DRAFT ANGLES AS REQUIRED UNLESS NOTED;
3. RADIUS .0156" UNLESS OTHERWISE SPECIFIED.

ROTO FASCO CANADA INC.	
PATIO DOOR ROLLER	
SCALE: 1:1	DATE: 2014-04-14
DRAWN: F.CHEN	CHECKED: R.FURGIUELE
MATERIAL: CARBON STEEL	SHEET: 1 OF 1
DWG. NO. 21000/21000SS	REV: A

PATIO DOOR ROLLER #21009/21009SS

REVISIONS			
REV	DESCRIPTION	DATE	APPROVED



NOTE:
TOTAL INDICATOR READING (TIR): 0.006" Max

1. GENERAL TOLERANCE +/- .010 UNLESS NOTED;
2. DRAFT ANGLES AS REQUIRED UNLESS NOTED;
3. RADIUS .0156 UNLESS OTHERWISE SPECIFIED.

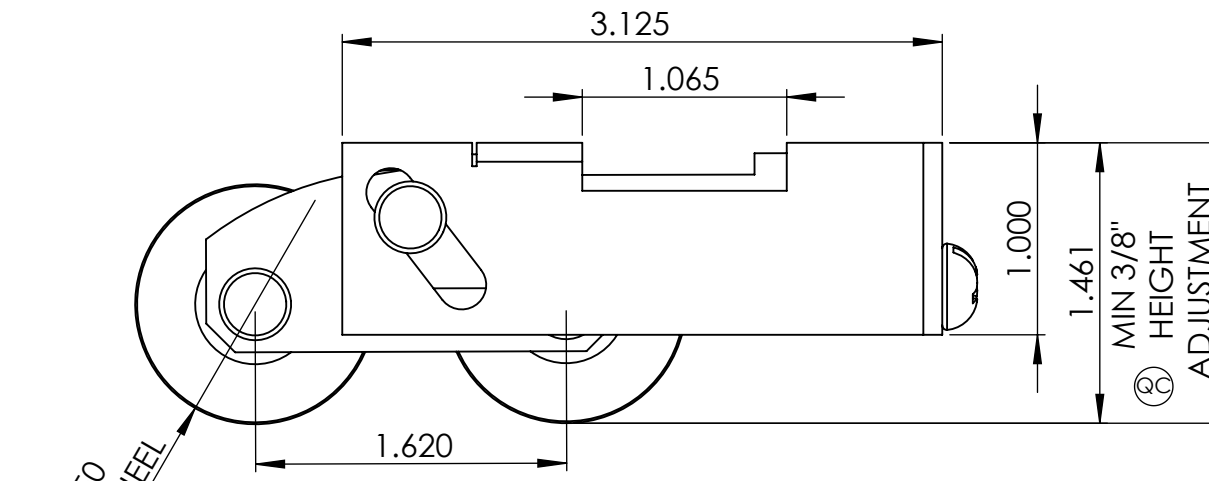
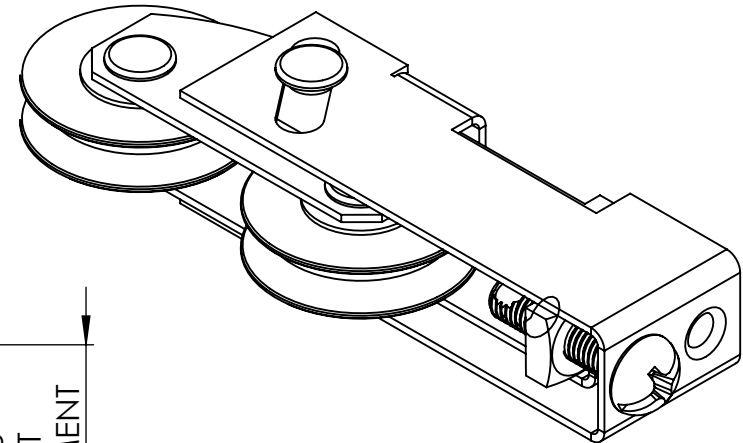
ROTO FASCO CANADA INC.
PATIO DOOR ROLLER

SCALE: 1:1.25	DATE: 14.03.10
DRAWN: F.CHEN	CHECKED: R.FURGIUELE
MATERIAL: REGULAR STEEL	
DWG. NO. 21009/21009SS	

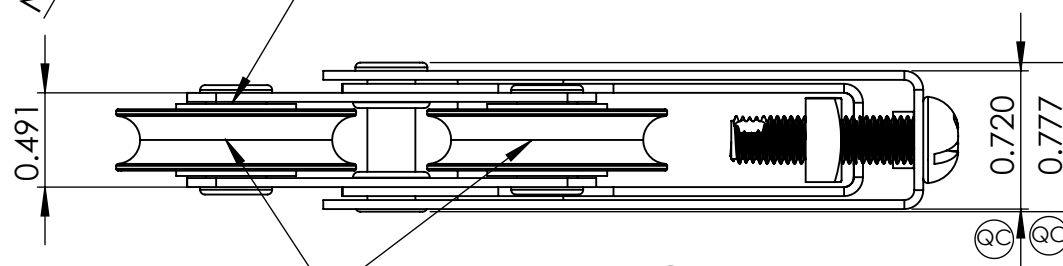
NOTE: $\text{\textcircled{QC}}$ $\text{\textcircled{B}}$
 INCLUDE ONE 1/4 - 20 X 1" QUAD MOUNTING SCREW PER ROLLER IN THE BOX

REVISIONS				
REV	DESCRIPTION	DATE	DRAWN BY	CHKCKED BY
A	TAPPING NOTE ADDED	16.06.29	F.CHEN	R.FURGIUELE
B	NOTE TO INCLUDE MOUNTING SCREW ADDED	16.07.06	F.CHEN	R.FURGIUELE

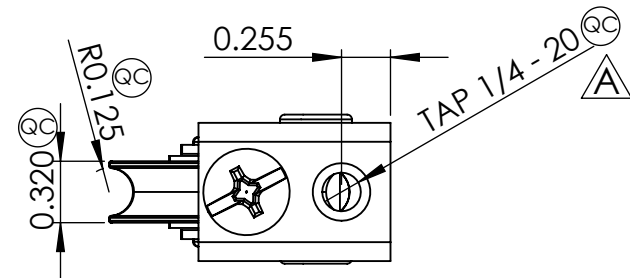
PATIO DOOR ROLLER VA-1019003YC/VA-1019003SS



$\text{\textcircled{B}}$ $\text{\textcircled{QC}}$ $\text{\textcircled{A}}$ $\text{\textcircled{QC}}$ $\text{\textcircled{A}}$
 $\text{\textcircled{B}}$ $\text{\textcircled{QC}}$ $\text{\textcircled{A}}$ $\text{\textcircled{QC}}$ $\text{\textcircled{A}}$
 $\text{\textcircled{B}}$ $\text{\textcircled{QC}}$ $\text{\textcircled{A}}$ $\text{\textcircled{QC}}$ $\text{\textcircled{A}}$
 USE 608ZZ & ABEC-1 OR EQUIVALENT BEARINGS
 APPLY BEACON 325 GREASE, WITH 30% - 40% FILL



WHEEL CENTERED & $\text{\textcircled{QC}}$
 PARALLEL TO EACH OTHER



ROTO FASCO CANADA INC.
 PATIO DOOR ROLLER

SCALE: 1:1	DATE: 2013-12-12
DRAWN: F.CHEN	CHECKED: R.FURGIUELE
MATERIAL: ZAMAC #3	SHEET: 1 OF 1
DWG. NO. VA-1019003YC/VA-1019003SS REV: B	

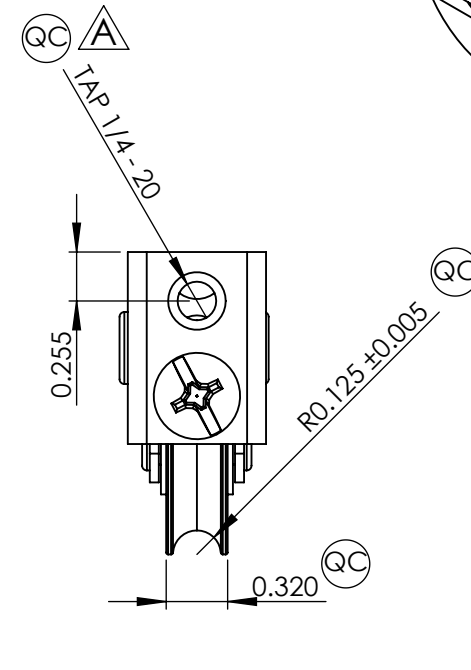
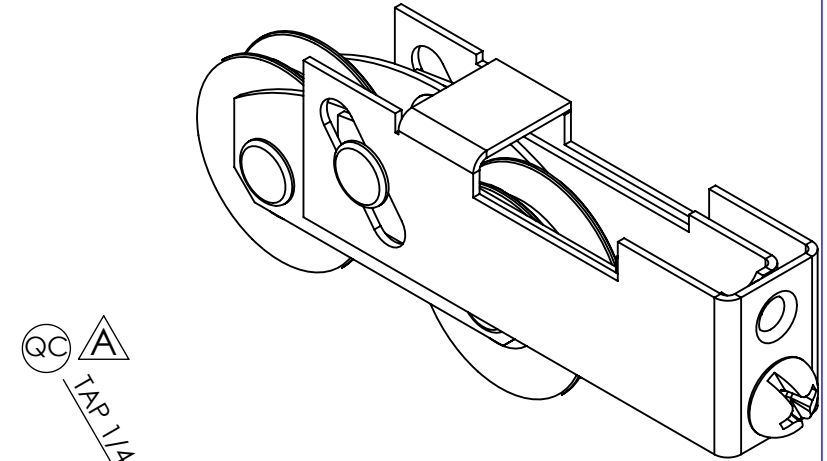
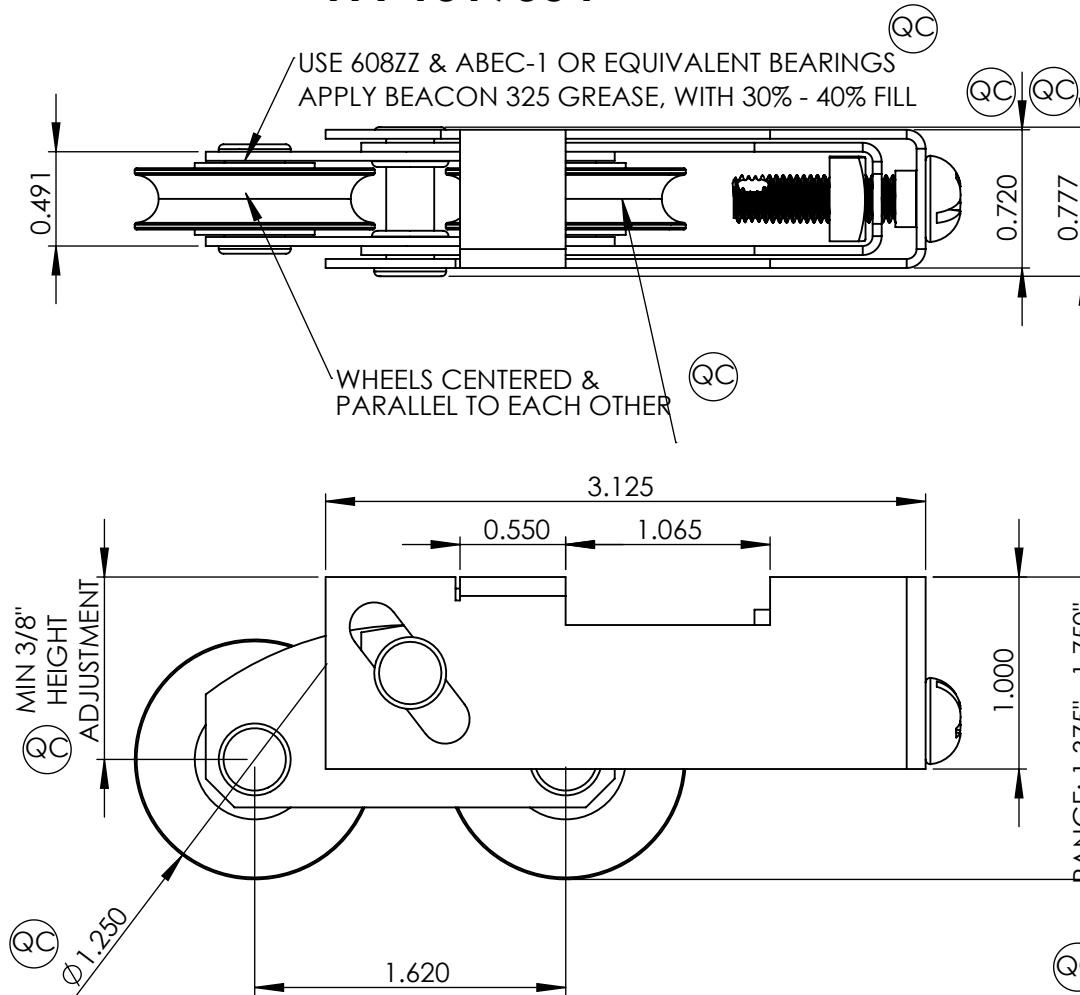
NOTE:
 TOTAL INDICATOR READING (TIR): 0.006" Max

1. GENERAL TOLERANCE +/- .010" UNLESS NOTED;
2. DRAFT ANGLES AS REQUIRED UNLESS NOTED;
3. RADIUS .0156" UNLESS OTHERWISE SPECIFIED.

NOTE: $\text{\textcircled{QC}}$ $\text{\textcircled{A}}$ $\text{\textcircled{B}}$ $\text{\textcircled{C}}$
 INCLUDE ONE 1/4 - 20 X 0.5" QUAD MOUNTING SCREW PER ROLLER IN THE BOX

PATIO DOOR ROLLER VA-1019004

REVISIONS				
REV	DESCRIPTION	DATE	DRAWN BY	CHKCKED BY
A	TAPPING NOTE ADDED	16.06.29	F.CHEN	R.FURGIUELE
B	NOTE TO INCLUDE MOUNTING SCREW ADDED	16.07.06	F.CHEN	R.FURGIUELE
C	LENGTH OF MOUNTING SCREW WAS 1"	16.10.31	F.CHEN	R.FURGIUELE



VA-1019004YC (BH220400)
 MATERIAL: MILD CARBON STEEL WITH MINIMUM OF 0.1% CARBON BY WEIGHT
 FINISH: YELLOW ZINC DICHROMATE, 6 MICROMETER
 PART TO BE TREATED WITH ANTI COROSSION OIL AFTER PLATING
 (TAIYANG 1208 OR APPROVED EQUAL)

VA-1019004SS (BH220500)
 MATERIAL: 304 STAINLESS STEEL

TOTAL INDICATOR READING (TIR): 0.006" Max

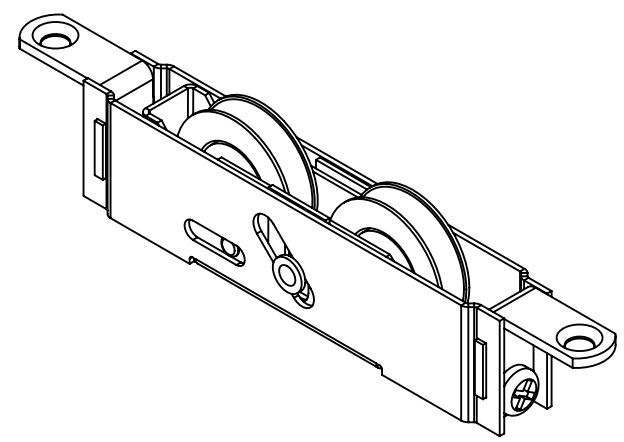
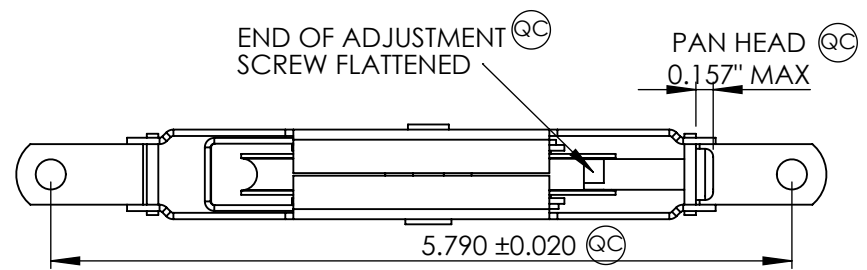
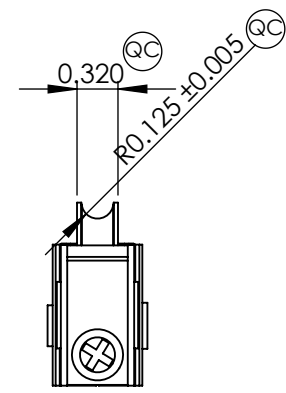
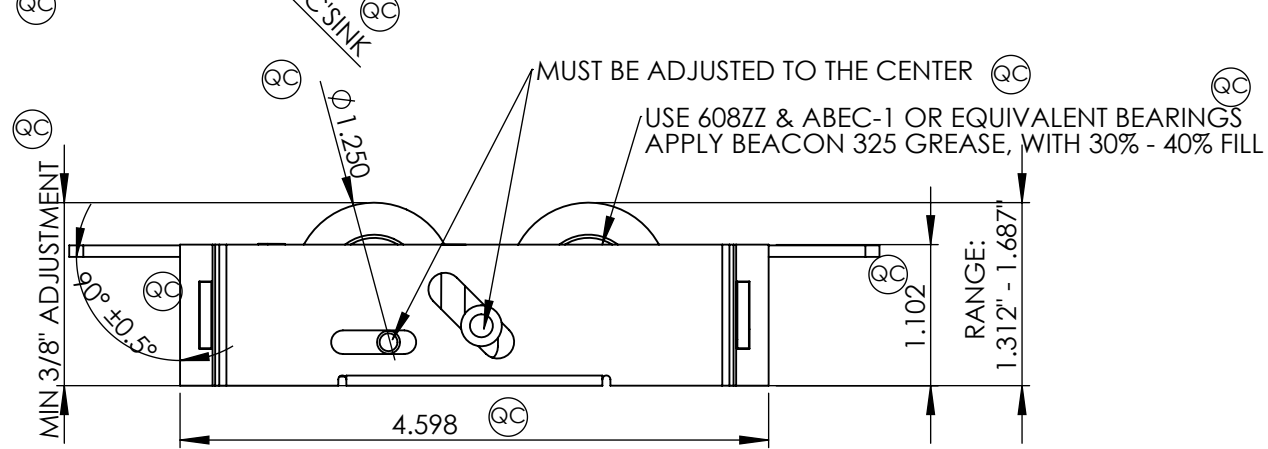
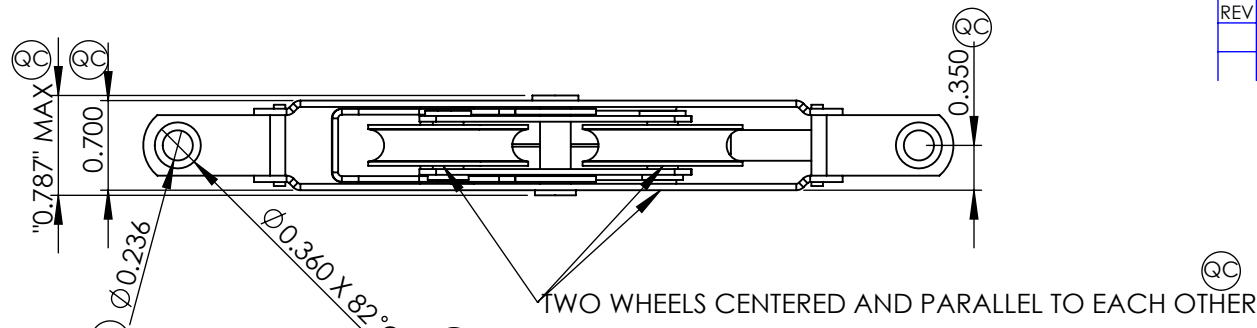
1. GENERAL TOLERANCE ± 0.010 " UNLESS NOTED;
2. DRAFT ANGLES AS REQUIRED UNLESS NOTED;
3. RADIUS .0156" UNLESS OTHERWISE SPECIFIED.

ROTO FASCO CANADA INC.
 PATIO DOOR ROLLER

SCALE: 1:1	DATE: 2013-12-12
DRAWN: F.CHEN	CHECKED: R.FURGIUELE
MATERIAL: SEE NOTES	SHEET: 1 OF 1
DWG. NO. VA-1019004XX	REV: C

REVISIONS			
REV	DESCRIPTION	DATE	APPROVED

PATIO DOOR ROLLER VA-1019005



REQUIREMENT
MUST BE TESTED PER AAMA 906-07, 125LB RATING, 6.0 LB MAX FINAL PULL FORCE

MATERIAL AND FINISH SPECS
 STEEL: AISI 1005 - 1015 STEEL
 PLATING (STEEL): ASTM B633-85 TYPE 2 YELLOW ZINCE DICHROMATE, 6 MICROMETER
 PART TO BE TREATED WITH ANTI COROSSION OIL AFTER PLATING
 (TAIYANG 1208 OR APPROVED EQUAL)
 STAINLESS STEEL: AISI 302-304 STAINLESS STEEL

PART NUMBERS
 VA-1019005YC(UU506000) PLATED STEEL
 VA-1019005SS (UU506100) STAINLESS STEEL

TOTAL INDICATOR READING (TIR): 0.006" Max

1. GENERAL TOLERANCE +/- .010" UNLESS NOTED;
2. DRAFT ANGLES AS REQUIRED UNLESS NOTED;
3. RADIUS .0156" UNLESS OTHERWISE SPECIFIED.

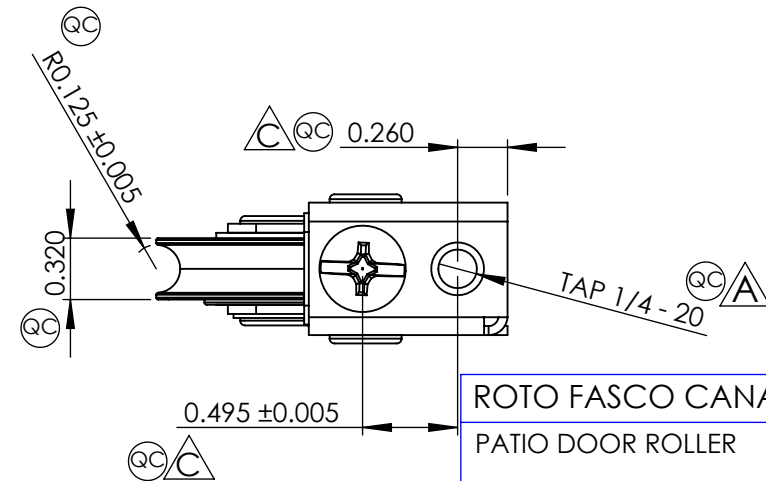
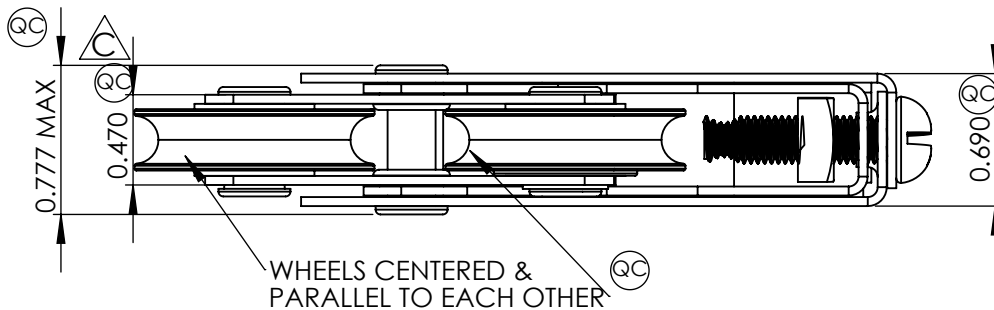
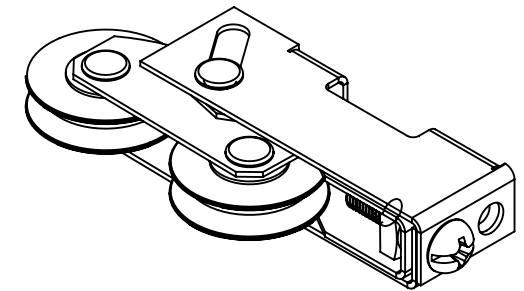
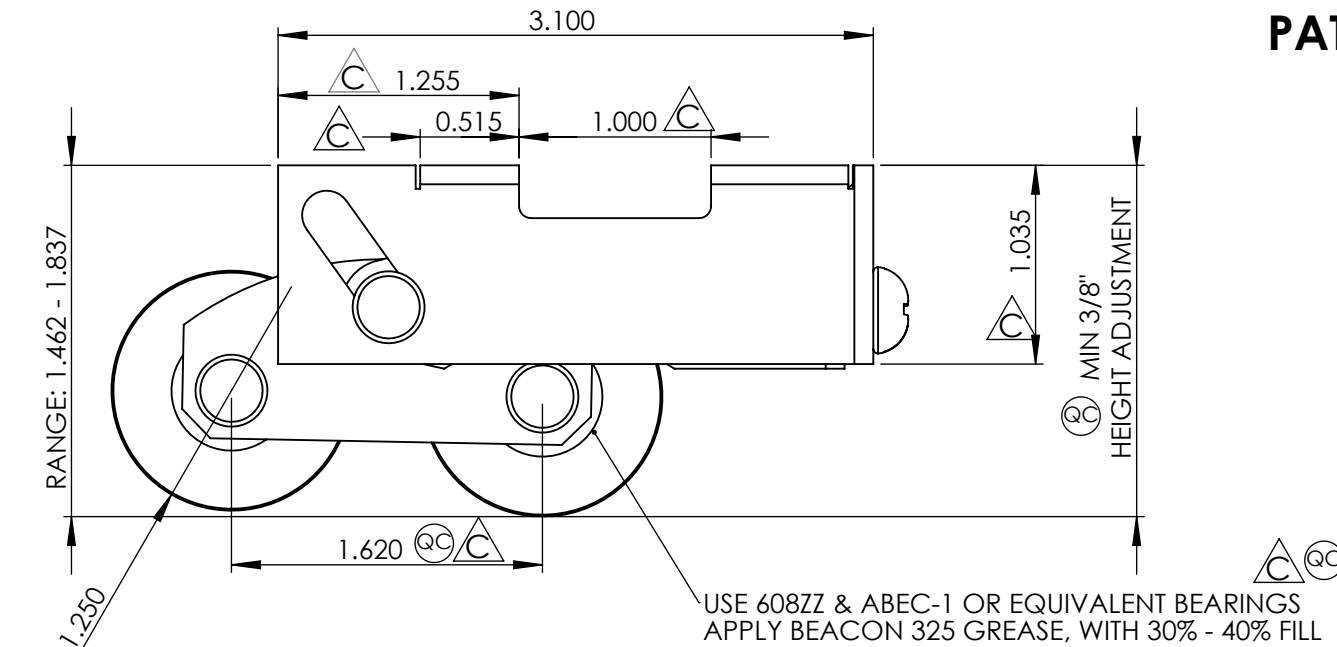
ROTO FASCO CANADA INC.	
PATIO DOOR ROLLER	
SCALE: 1:1.5	DATE: 14.06.27
DRAWN: F.CHEN	CHECKED: R.FURGIUELE
MATERIAL: N/A	
DWG. NO. VA-1019005XX	REV: -

NOTE: QC B

INCLUDE ONE 1/4 - 20 X 1" QUAD MOUNTING SCREW PER ROLLER IN THE BOX

REVISIONS				
REV	DESCRIPTION	DATE	DRAWN BY	CHKCKED BY
A	TAPPING NOTE ADDED	16.06.29	F.CHEN	R.FURGIUELE
B	NOTE TO INCLUDE MOUNTING SCREW ADDED	16.07.06	F.CHEN	R.FURGIUELE
C	DIMENSIONS CHANGED TO MATCH PART	16.08.18	F.CHEN	R.FURGIUELE

PATIO DOOR ROLLER VA-1200298



MATERIAL: MILD CARBON STEEL WITH MINIMUM OF 0.1% CARBON BY WEIGHT
FINISH: YELLOW ZINC DICHROMATE

TOTAL INDICATOR READING (TIR): 0.006" Max

1. GENERAL TOLERANCE +/- .010" UNLESS NOTED;
2. DRAFT ANGLES AS REQUIRED UNLESS NOTED;
3. RADIUS .0156" UNLESS OTHERWISE SPECIFIED.

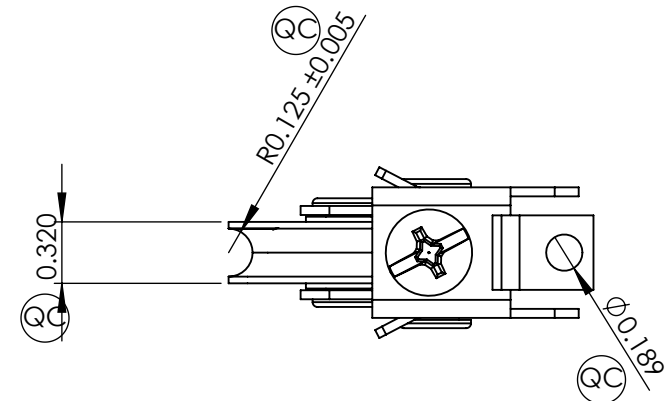
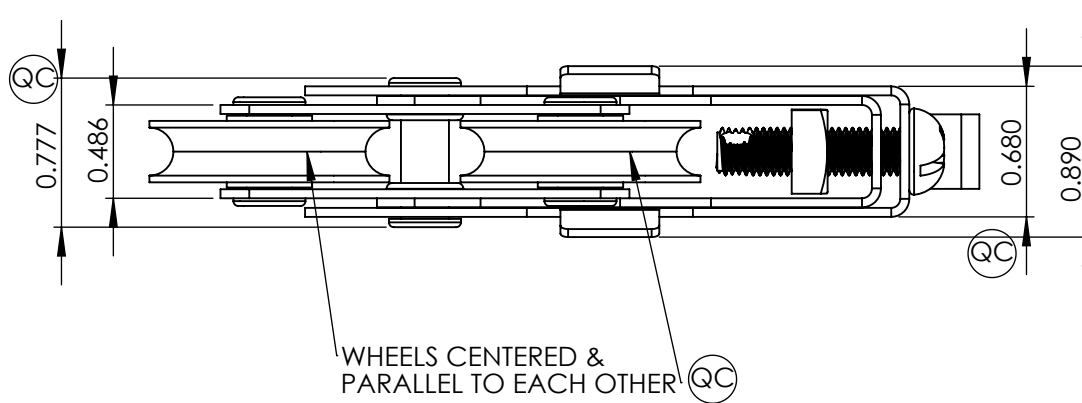
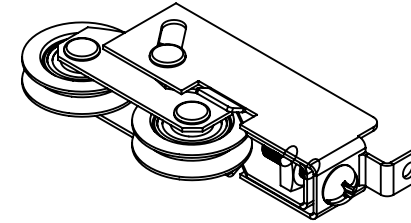
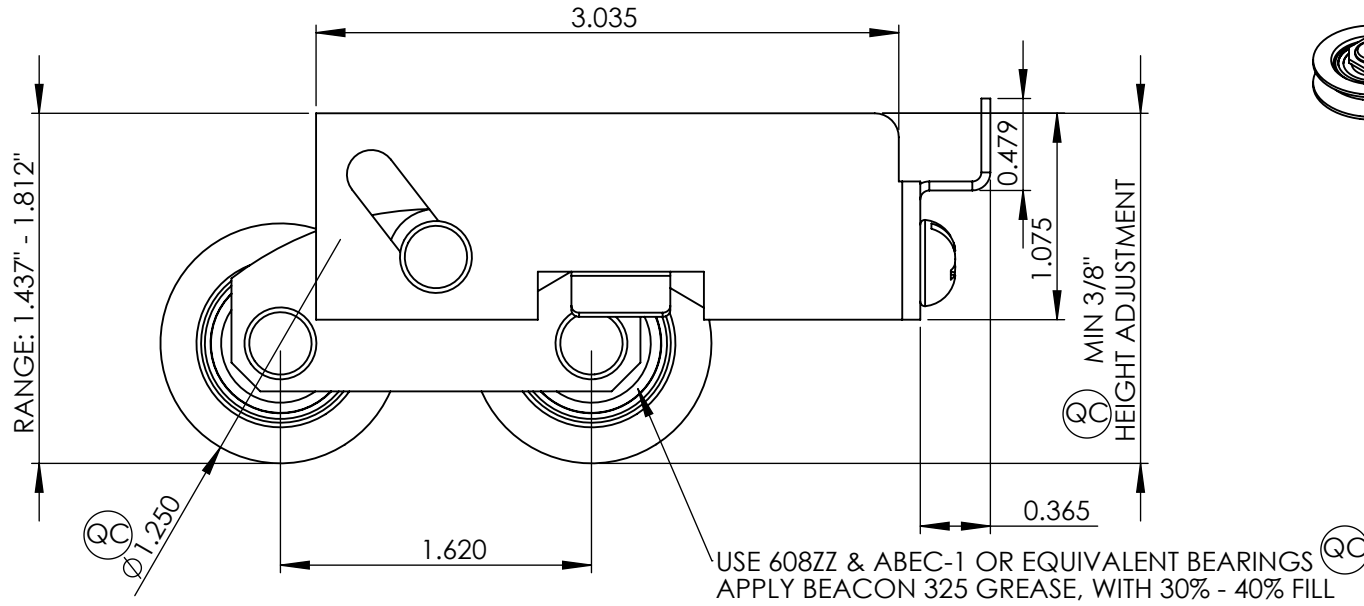
ROTO FASCO CANADA INC.
PATIO DOOR ROLLER

SCALE: 1:1	DATE: 2014-03-05
DRAWN: F.CHEN	CHECKED: R.FURGIUELE
MATERIAL: SEE NOTES	SHEET: 1 OF 1
DWG. NO. VA-1200298	REV: C

REVISIONS

REV	DESCRIPTION	DATE	DRAWN BY	CHKCKED BY

PATIO DOOR ROLLER #VA-1200300



MATERIAL: MILD CARBON STEEL WITH MINIMUM OF 0.1% CARBON BY WEIGHT
 FINISH: YELLOW ZINC DICHROMATE

TOTAL INDICATOR READING (TIR): 0.006" Max

1. GENERAL TOLERANCE +/- .010" UNLESS NOTED;
2. DRAFT ANGLES AS REQUIRED UNLESS NOTED;
3. RADIUS .0156" UNLESS OTHERWISE SPECIFIED.

ROTO FASCO CANADA INC.
 PATIO DOOR ROLLER

SCALE: 1:1	DATE: 2014-03-05
DRAWN: F.CHEN	CHECKED: R.FURGIUELE
MATERIAL: SEE NOTES	SHEET: 1 OF 1
DWG. NO. VA-1200300	REV: -

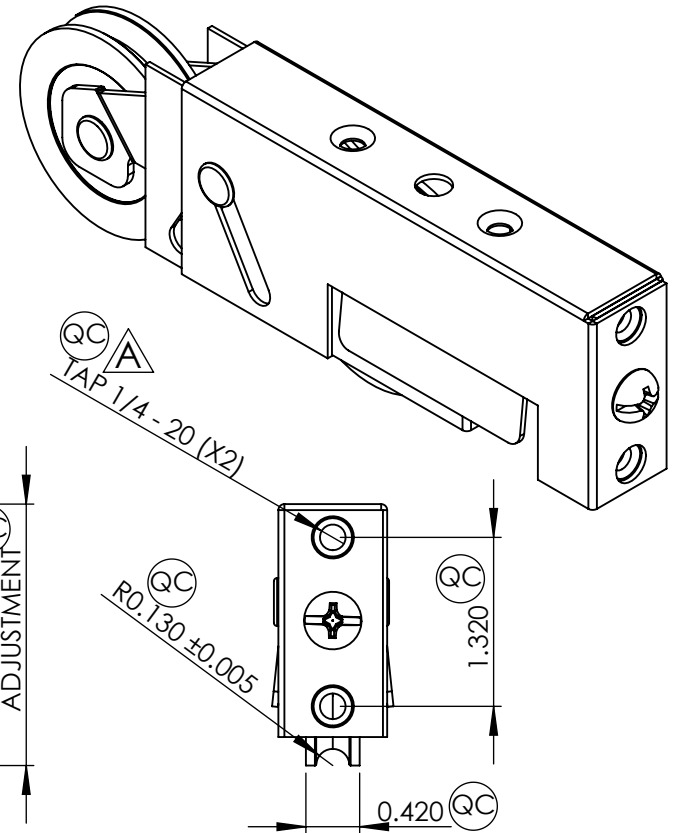
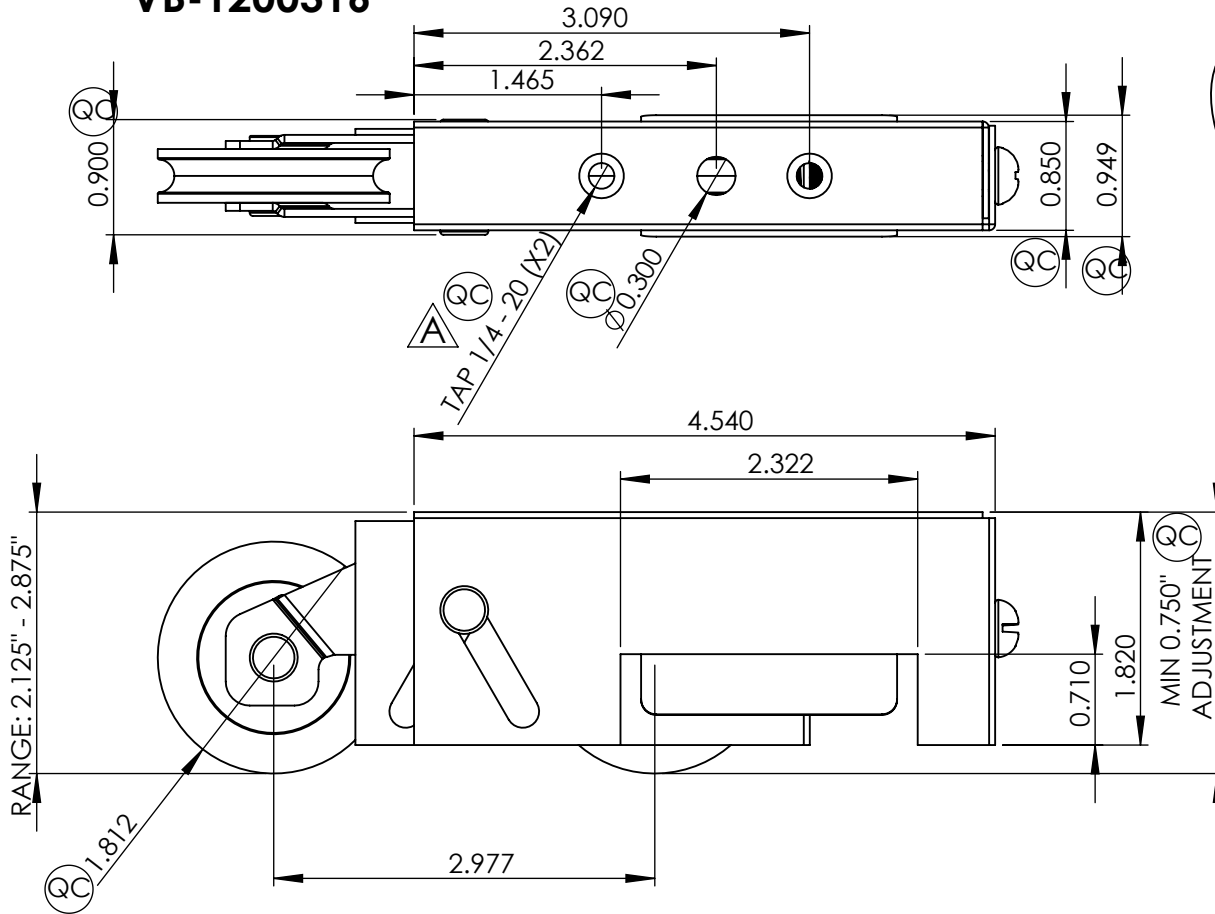
NOTE: QC A B

INCLUDE TWO 1/4 - 20 X 0.5" QUAD MOUNTING SCREWS PER ROLLER IN THE BOX

REVISIONS

REV	DESCRIPTION	DATE	DRAWN BY	CHKCKED BY
A	TAPPING NOTES ADDED	16.06.29	F.CHEN	R.FURGIUELE
B	NOTE TO INCLUDE MOUNTING SCREWS ADDED	16.07.06	F.CHEN	R.FURGIUELE

PATIO DOOR ROLLER
VB-1200316



WHEELS CENTERED & PARALLEL TO EACH OTHER QC

MATERIAL: 304 STAINLESS STEEL

TOTAL INDICATOR READING (TIR): 0.006" Max

1. GENERAL TOLERANCE +/- .010" UNLESS NOTED;
2. DRAFT ANGLES AS REQUIRED UNLESS NOTED;
3. RADIUS .0156" UNLESS OTHERWISE SPECIFIED.

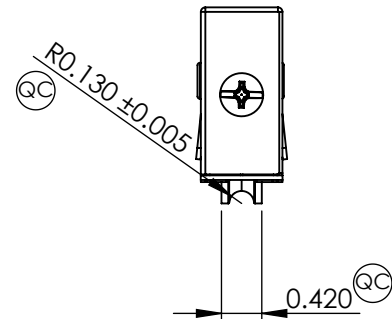
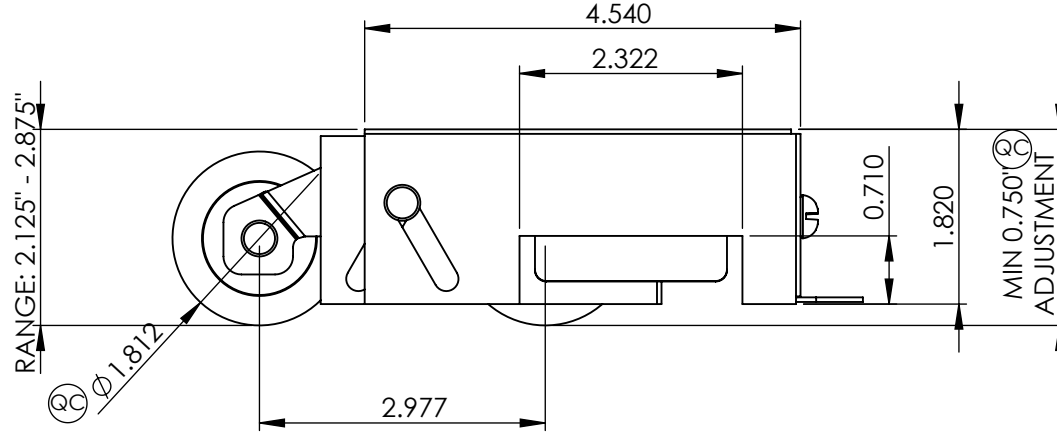
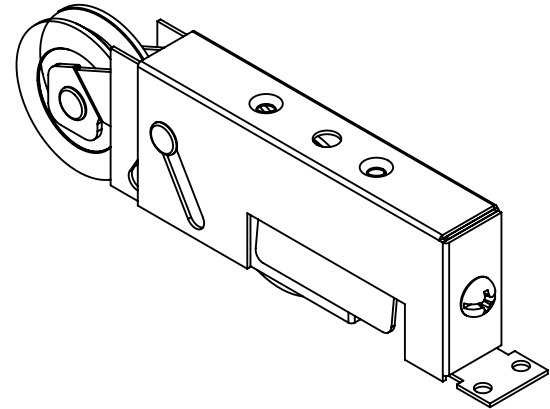
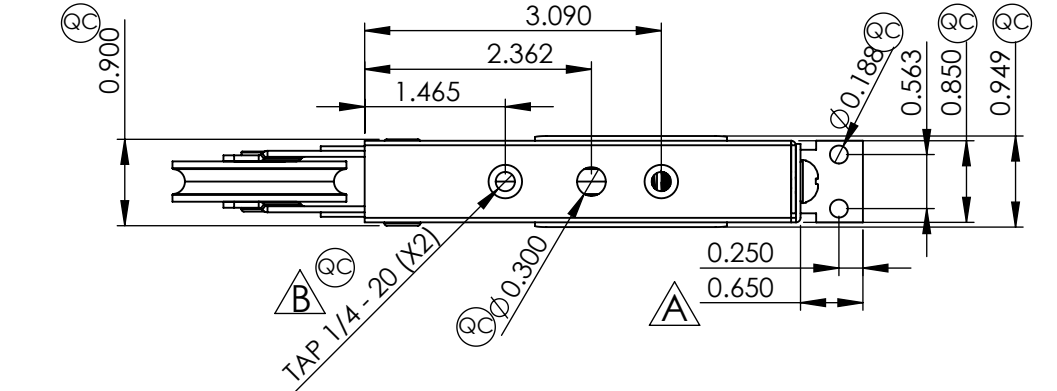
ROTO FASCO CANADA INC.

PATIO DOOR ROLLER
VB-1200316

SCALE: 1:1.5	DATE: 14.01.15
DRAWN: F.CHEN	CHECKED: R.FURGIUELE
MATERIAL: 304 STEEL	SHEET: 1 OF 1
DWG. NO. VB-1200316	REV: B

NOTE: QC \triangle
 INCLUDE TWO 1/4 - 20 X 0.5" QUAD MOUNTING SCREWS PER ROLLER IN THE BOX

REVISIONS				
REV	DESCRIPTION	DATE	DRAWN BY	CHKCKED BY
A	0.625" CHANGED TO 0.650" TO MATCH PARTS	15.09.08	F.CHEN	R.FURGIUELE
B	TAPPING NOTE ADDED	16.06.29	F.CHEN	R.FURGIUELE
C	NOTE TO INCLUDE MOUNTING SCREWS ADDED	16.07.06	F.CHEN	R.FURGIUELE



USE 608ZZ & ABEC-1 OR EQUIVALENT BEARINGS QC
 APPLY BEACON 325 GREASE, WITH 30% - 40% FILL

WHEELS CENTERED & PARALLEL TO EACH OTHER QC

PATIO DOOR ROLLER VB-1200329

MATERIAL: 304 STAINLESS STEEL QC

TOTAL INDICATOR READING (TIR): 0.006" Max

1. GENERAL TOLERANCE +/- .010" UNLESS NOTED;
2. DRAFT ANGLES AS REQUIRED UNLESS NOTED;
3. RADIUS .0156" UNLESS OTHERWISE SPECIFIED.

ROTO FASCO CANADA INC.			
PATIO DOOR ROLLER VB-1200329			
SCALE: 1:2	DATE: 15.01.07		
DRAWN: F.CHEN	CHECKED: R.FURGIUELE		
MATERIAL: 304 STEEL	SHEET: 1 OF 1		
DWG. NO. VB-1200329			REV: C

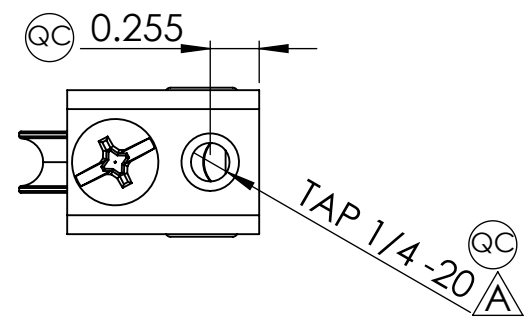
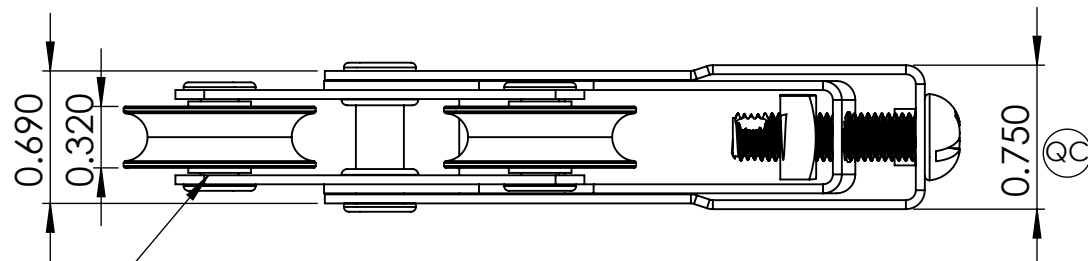
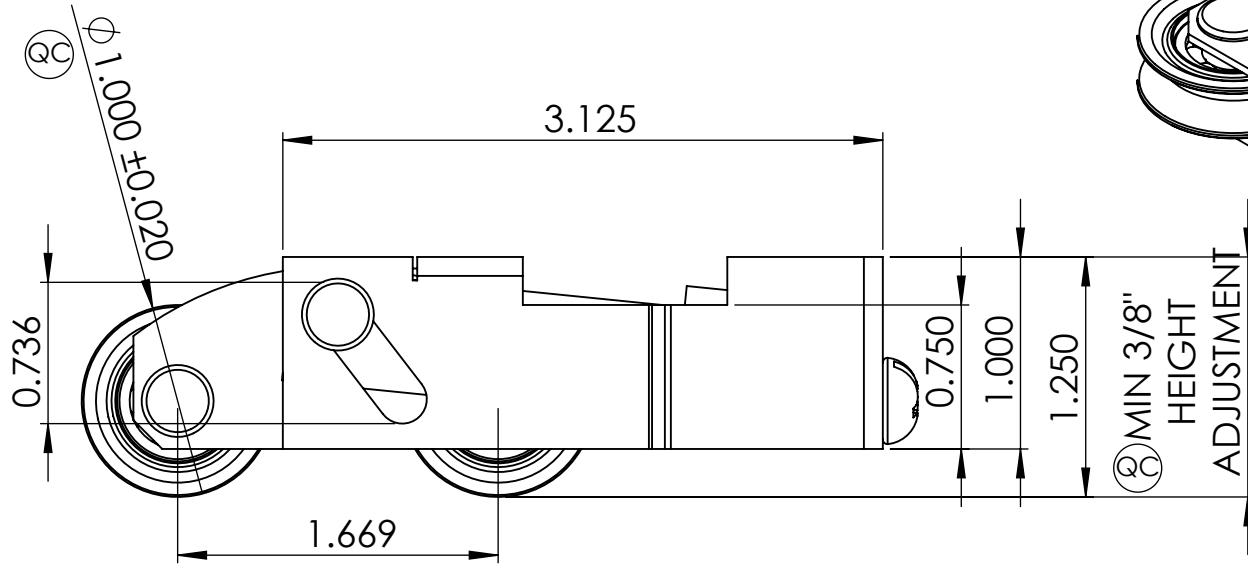
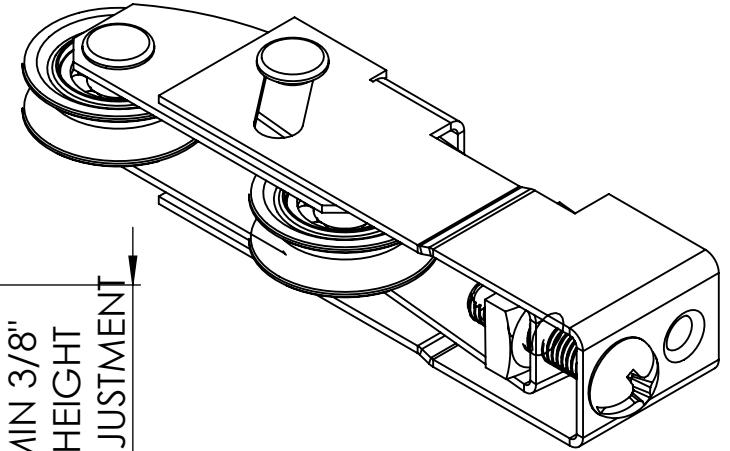
NOTE: $\text{\textcircled{QC}}$ $\text{\textcircled{B}}$

INCLUDE ONE 1/4 - 20 X 1" QUAD MOUNTING SCREW PER ROLLER IN THE BOX

REVISIONS

REV	DESCRIPTION	DATE	DRAWN BY	CHKCKED BY
A	TAPPING NOTE ADDED	16.06.29	F.CHEN	R.FURGIUELE
B	NOTE TO INCLUDE MOUNTING SCREW ADDED	16.07.06	F.CHEN	R.FURGIUELE

PATIO DOOR ROLLER
VB-1019001YC/VB-1019001SS



USE 608ZZ & ABEC-1 OR EQUIVALENT BEARINGS
APPLY BEACON 325 GREASE, WITH 30% - 40% FILL $\text{\textcircled{QC}}$

NOTE:
TOTAL INDICATOR READING (TIR): 0.006" Max

1. GENERAL TOLERANCE +/- .010" UNLESS NOTED;
2. DRAFT ANGLES AS REQUIRED UNLESS NOTED;
3. RADIUS .0156" UNLESS OTHERWISE SPECIFIED.

ROTO FASCO CANADA INC.	
PATIO DOOR ROLLER	
SCALE: 1:1	DATE: 2013-12-12
DRAWN: F.CHEN	CHECKED: R.FURGIUELE
MATERIAL: N/A	SHEET: 1 OF 1
DWG. NO. VB1019001YC/VB1019001SS	REV: B