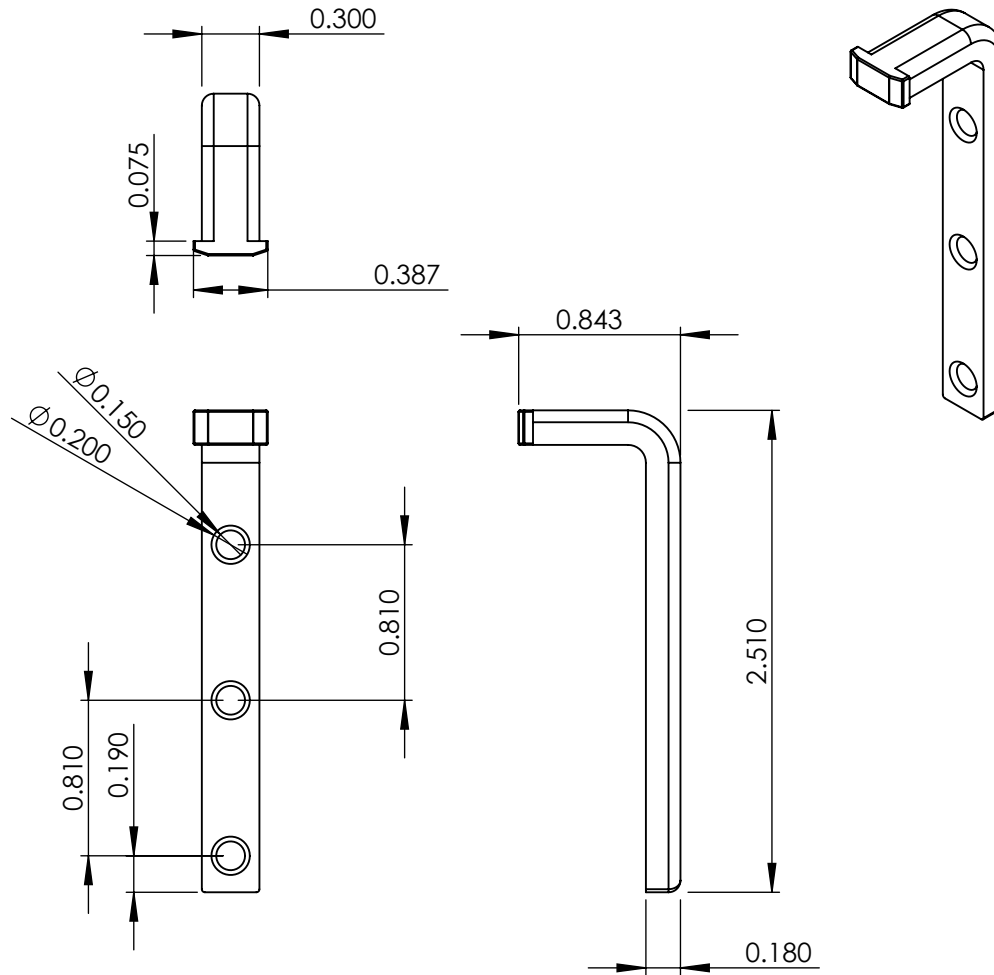


# CD-858 PIVOT BAR



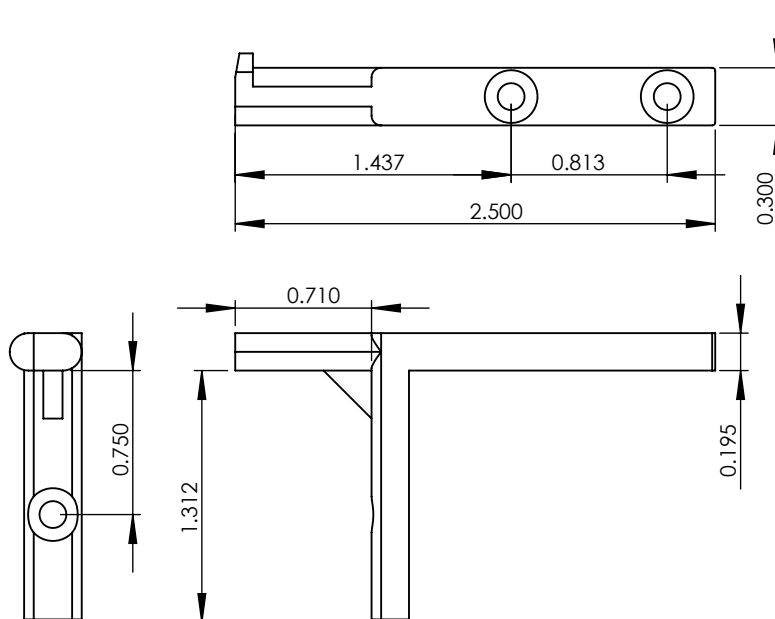
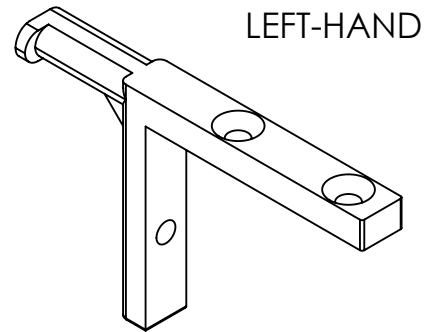
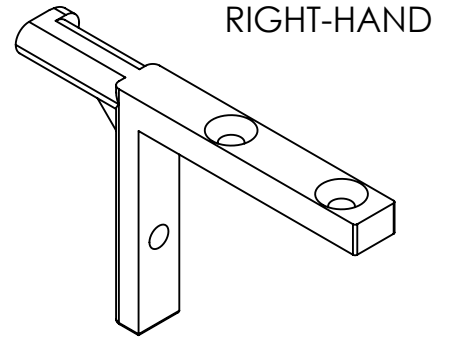
# CD-438 SERIES PIVOT BAR

USED FOR VERTICAL AND HORIZONTAL  
TILT WINDOWS.

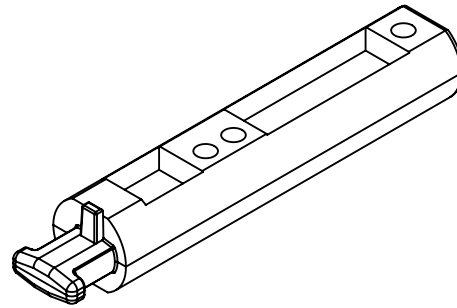
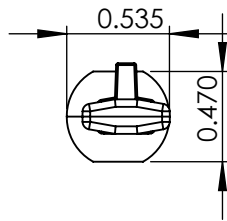
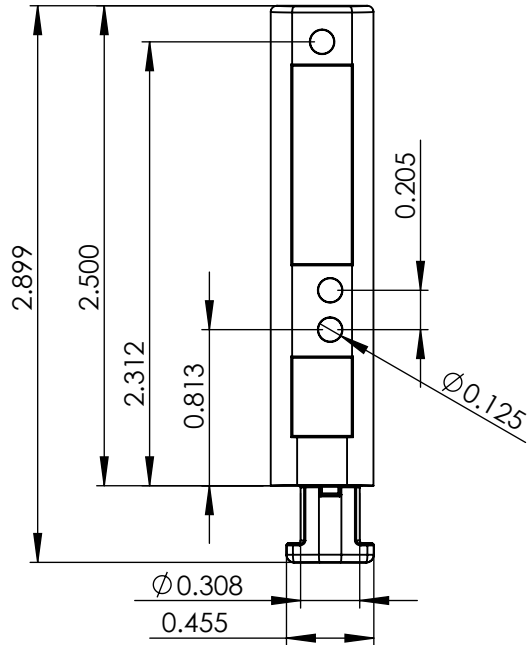
## FEATURES:

- STURDY ZINC DIE CAST CONSTRUCTION.
- NO ALIGNMENT REQUIRED FOR INSTALLATION.
- 90 DEGREE CONSTRUCTION WITH HOLES ON BOTH LEGS MAKES FOR STRONG HOLD.

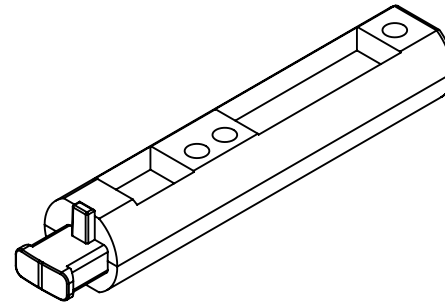
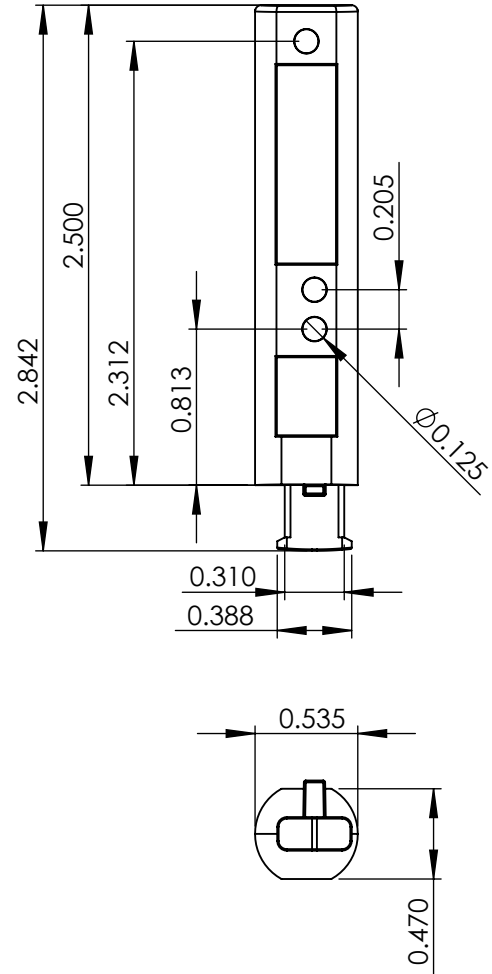
\* WHEN ORDERING  
A LEFT HAND AND RIGH HAND  
PIVOT BAR IS REQUIRED.



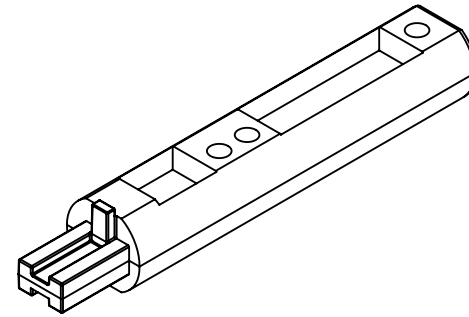
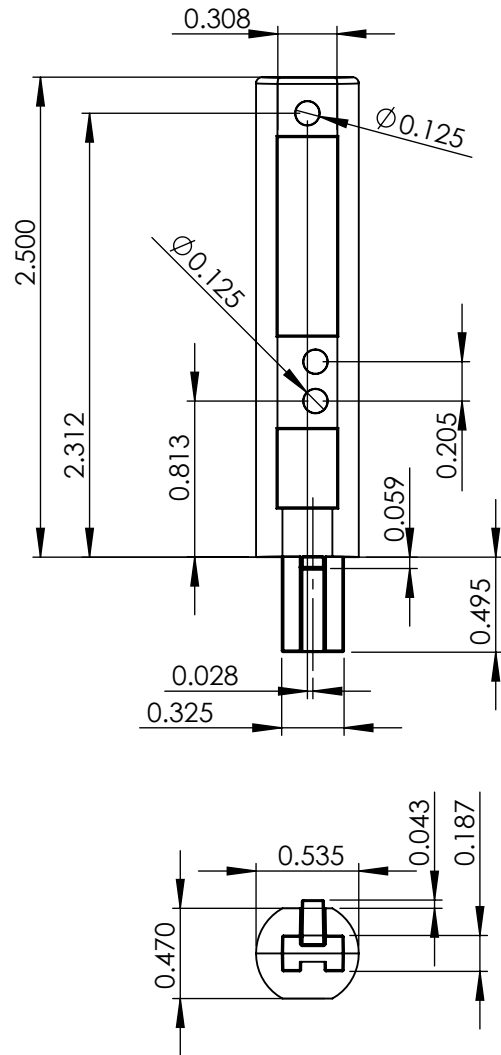
# PIVOT BAR CD-771



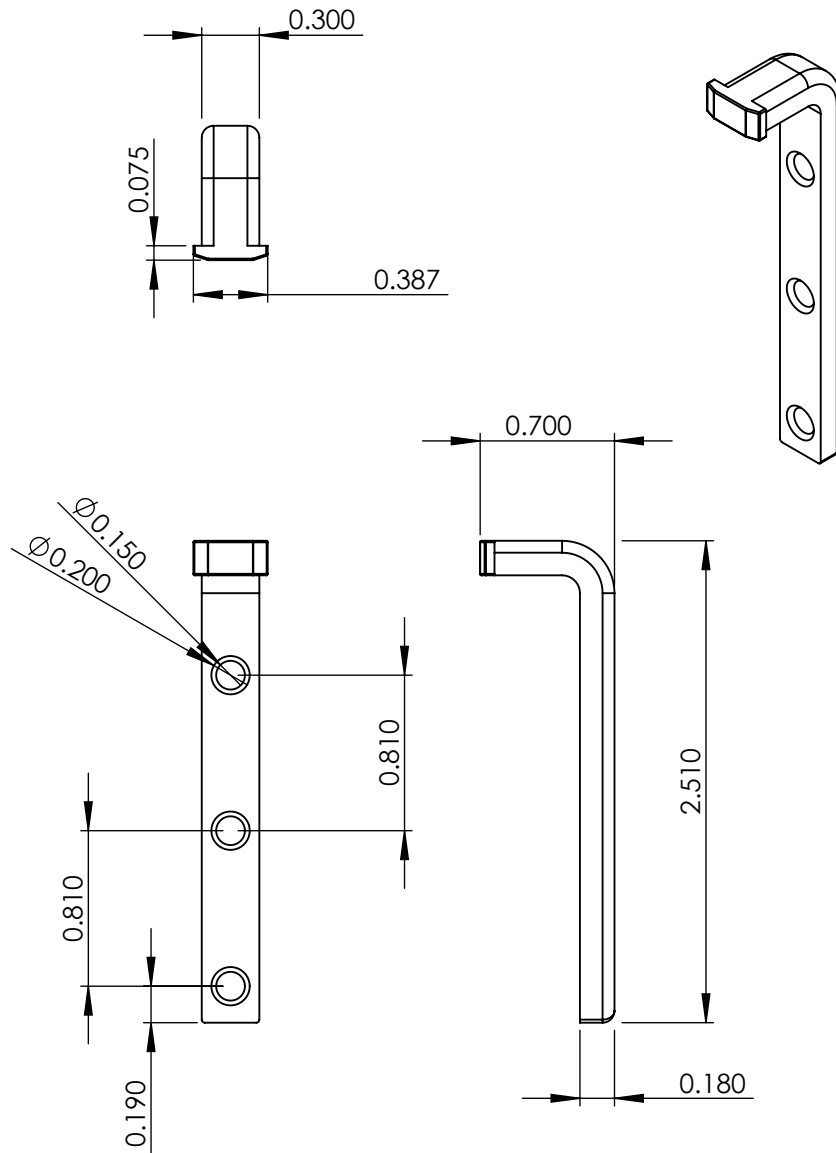
# PIVOT BAR CD-771A



# PIVOT BAR CD-771B



# CD-857 PIVOT BAR



# CD-858 PIVOT BAR

