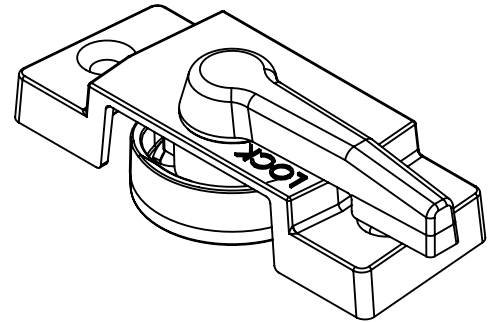


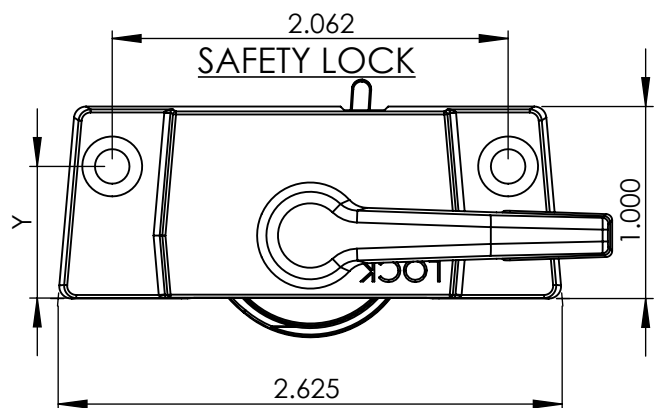
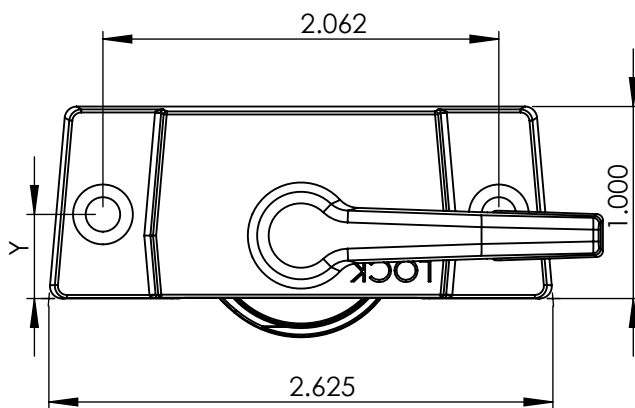
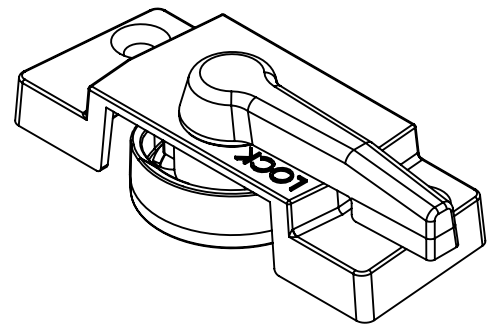
# 8700 SERIES SASH LOCK

- STURDY ZINC DIE CAST CONSTRUCTION.
- AVAILABLE WITH OR WITHOUT SAFETY LOCK.
- POSITIVE "LOCK/UNLOCK" POSITIONS.
- CHOICE OF MOUNTING HOLE LOCATIONS.
- DURABLE POWDER COATED FINISH.
- STANDARD COLOR IS WHITE.
- OTHER COLORS AVAILABLE.



## SAFETY LOCK FEATURES:

- ENGAGES AUTOMATICALLY WHEN LEVER IS PUT IN LOCK POSITION.
- EASY ONE HAND OPERATION.
- PUSH BUTTON TO RELEASE.

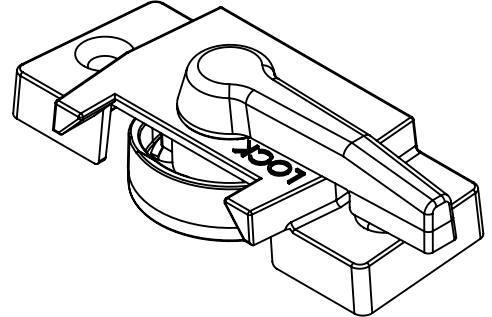


HOLE LOCATION	PART NO
Y	
0.437	08701A
0.687	08701B

HOLE LOCATION	PART NO
Y	
0.437	08701AL
0.687	08701BL

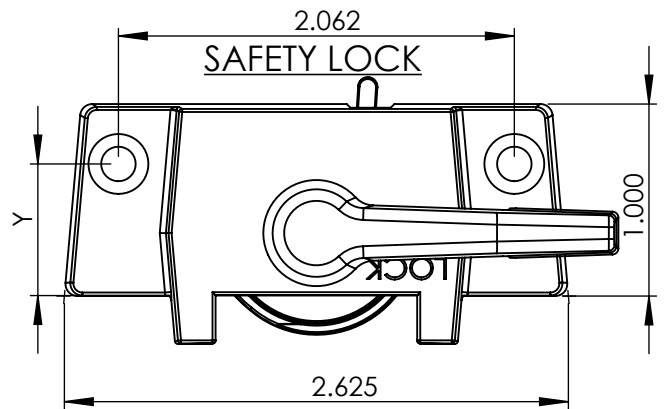
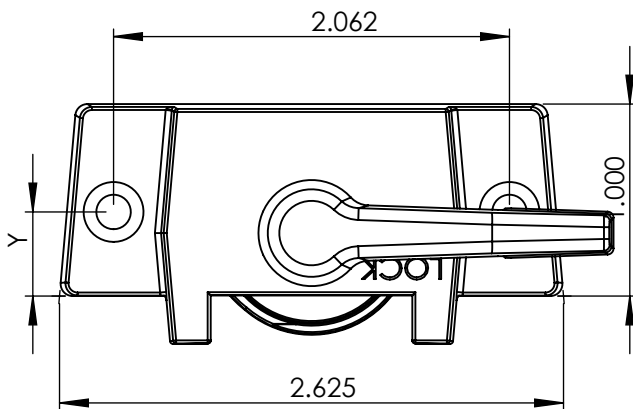
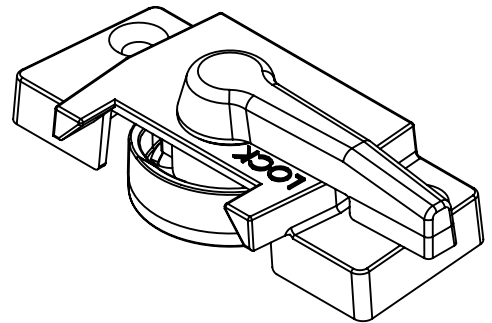
# 8700G SERIES GUIDED SASH LOCK

- STURDY ZINC DIE CAST CONSTRUCTION.
- AVAILABLE WITH OR WITHOUT SAFETY LOCK.
- POSITIVE "LOCK/UNLOCK" POSITIONS.
- CHOICE OF MOUNTING HOLE LOCATIONS.
- EXTENSION ARMS ALIGN LOCK TO KEEPER PERFECTLY AND PROVIDES ADDITIONAL SECURITY.
- DURABLE POWDER COATED FINISH.
- STANDARD COLOR IS WHITE.
- OTHER COLORS AVAILABLE.



## SAFETY LOCK FEATURES:

- ENGAGES AUTOMATICALLY WHEN LEVER IS PUT IN LOCK POSITION.
- EASY ONE HAND OPERATION.
- PUSH BUTTON TO RELEASE.



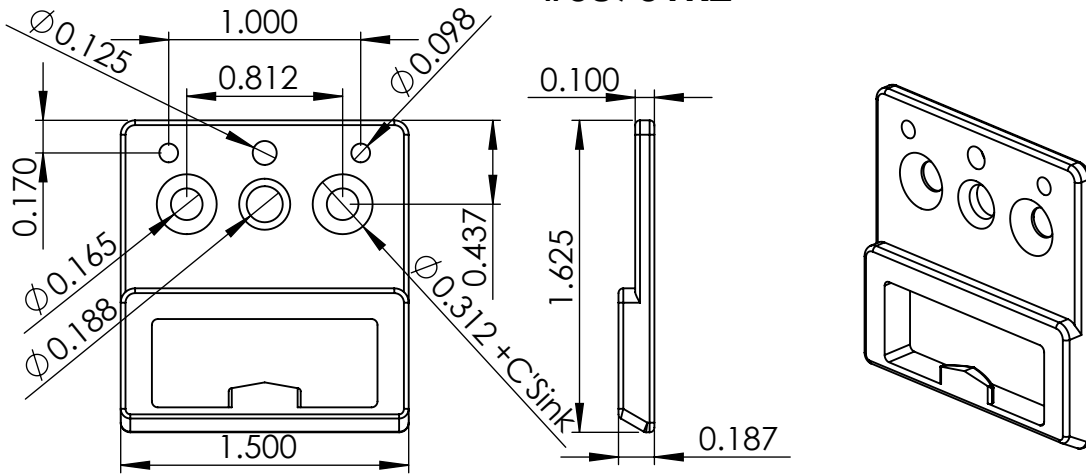
HOLE LOCATION	PART NO
Y	
0.437	08701AG
0.687	08701BG

HOLE LOCATION	PART NO
Y	
0.437	08701AGL
0.687	08701BGL

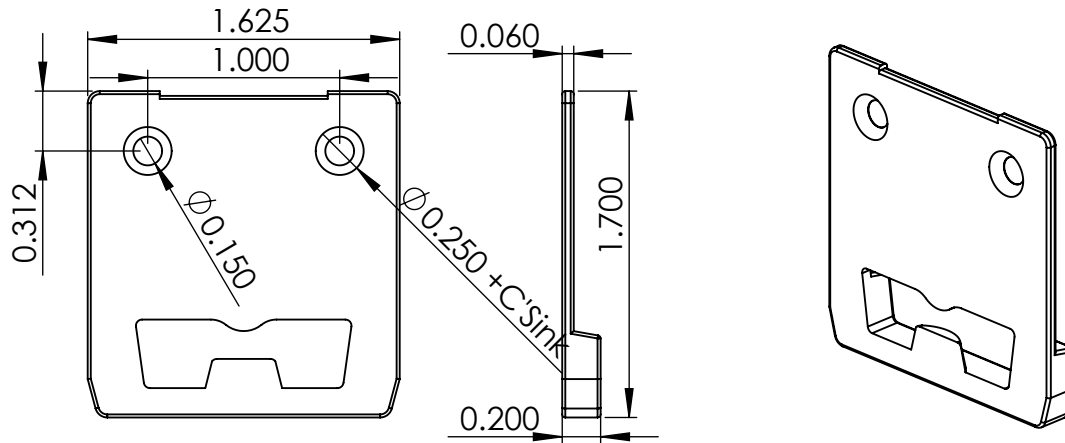
# KEEPERS FOR 8700/8900 SERIES LOCKS FACE MOUNTED

PAGE 1 OF 3

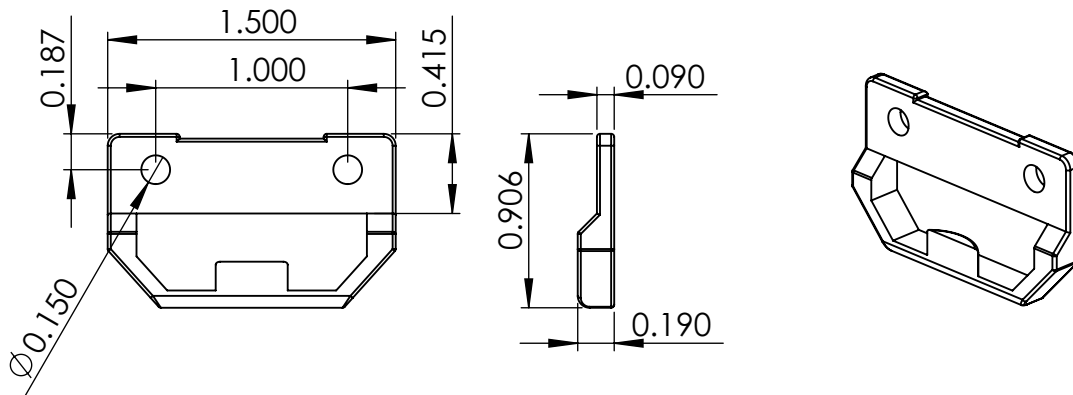
## #08701K2



## #08901K11 FOR 8900 SERIES ONLY



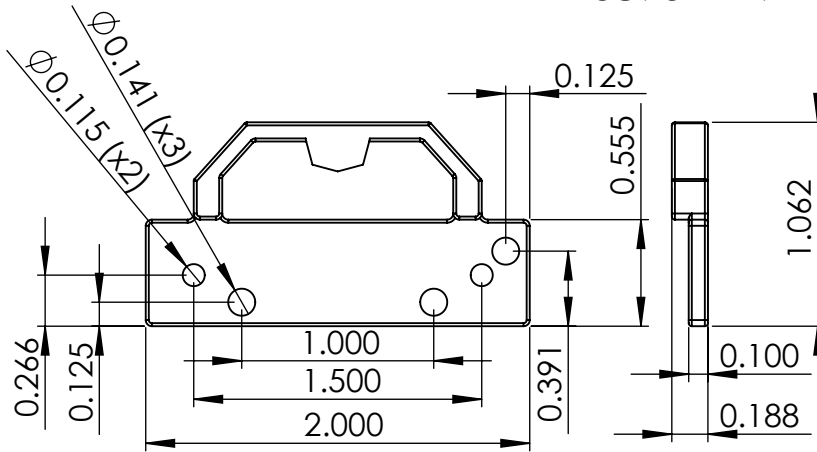
## #08701K14



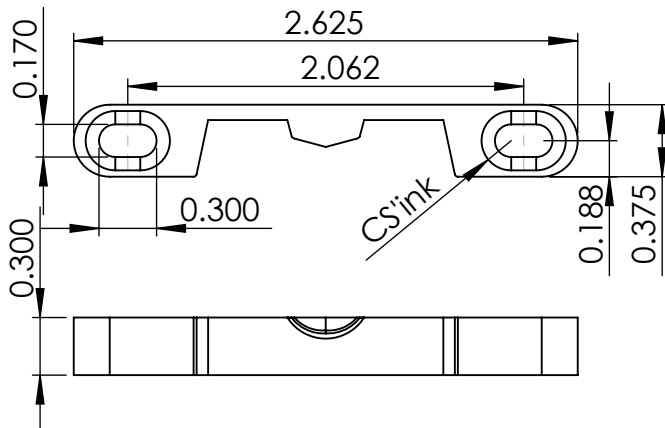
# KEEPERS FOR 8700/8900 SERIES LOCKS FACE MOUNTED

PAGE 2 OF 3

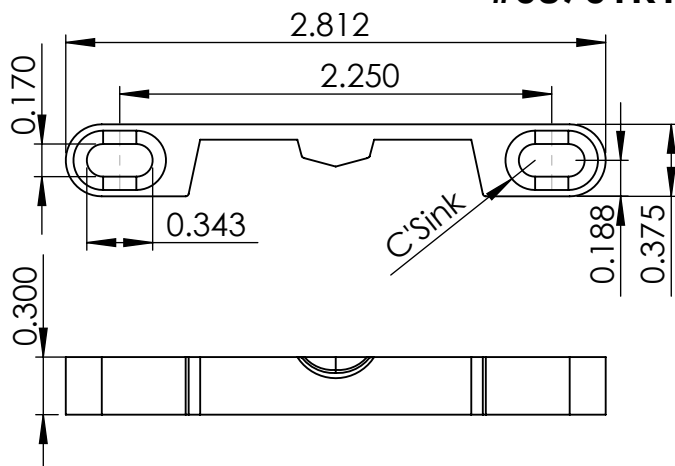
## #08701K17



## #08701K4



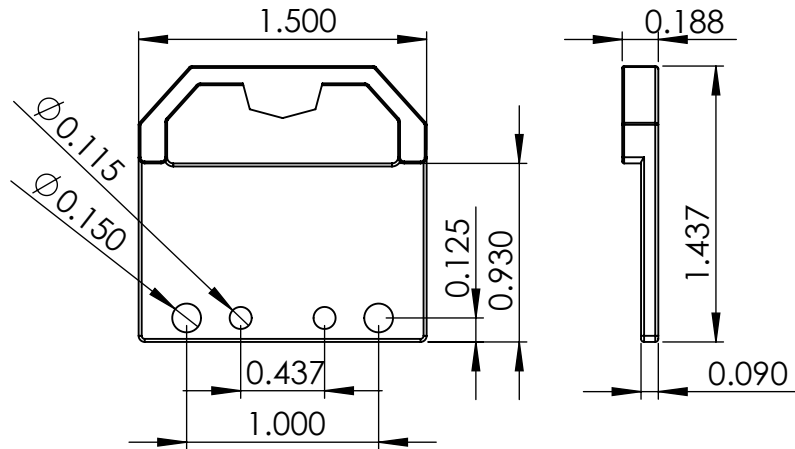
## #08701K15



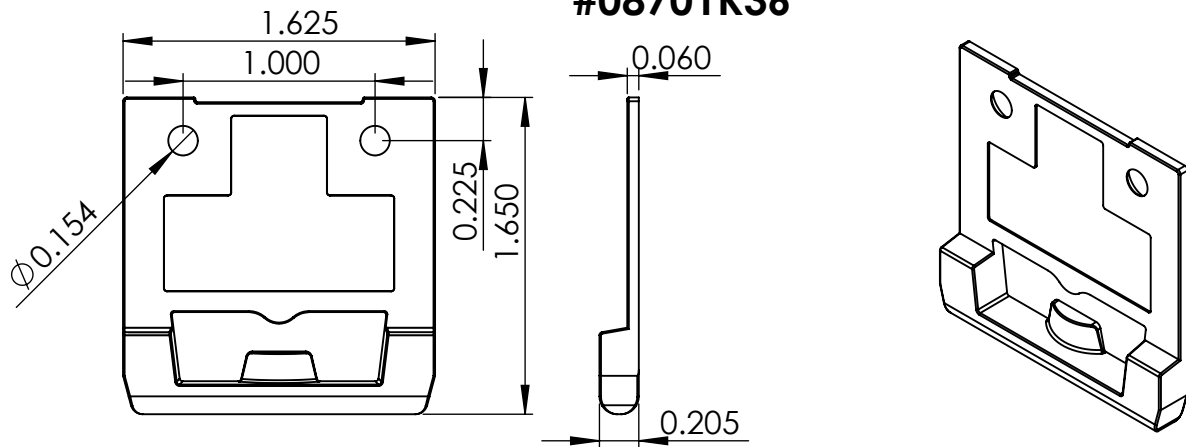
# KEEPERS FOR 8700/8900 SERIES LOCKS FACE MOUNTED

PAGE 3 OF 3

## #08701K23

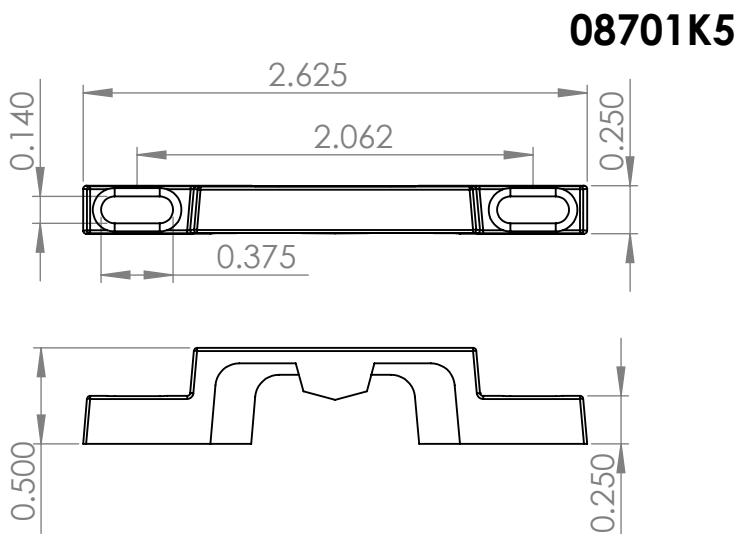
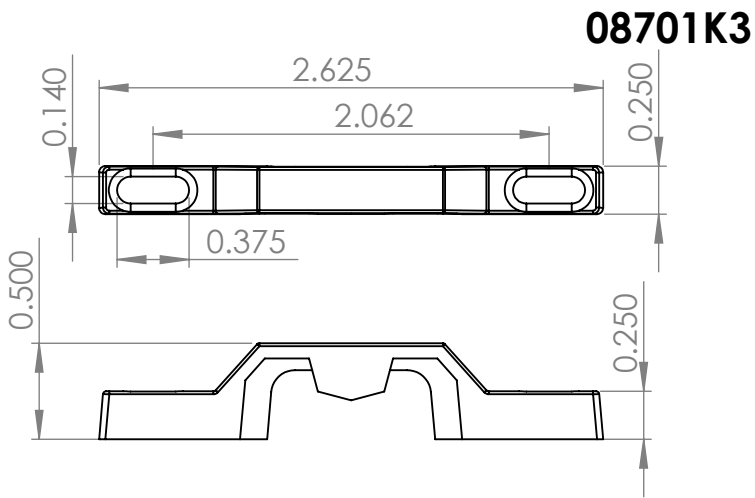
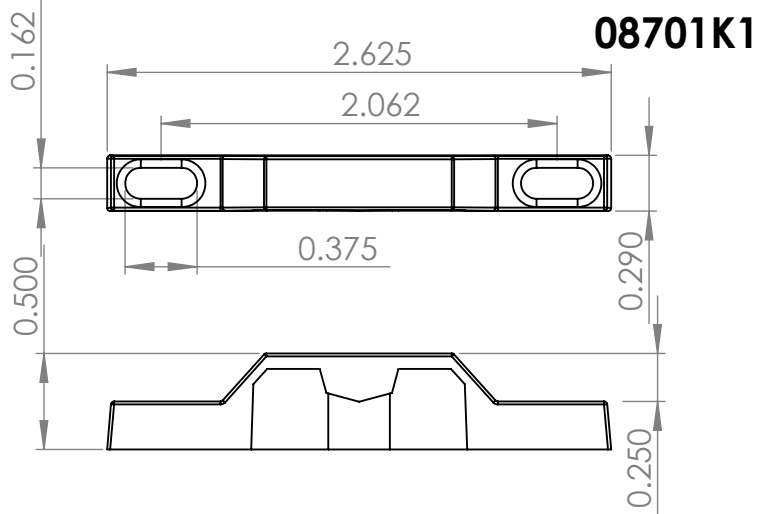


## #08701K36



# KEEPERS FOR 8700 SERIES LOCKS TOP MOUNTED

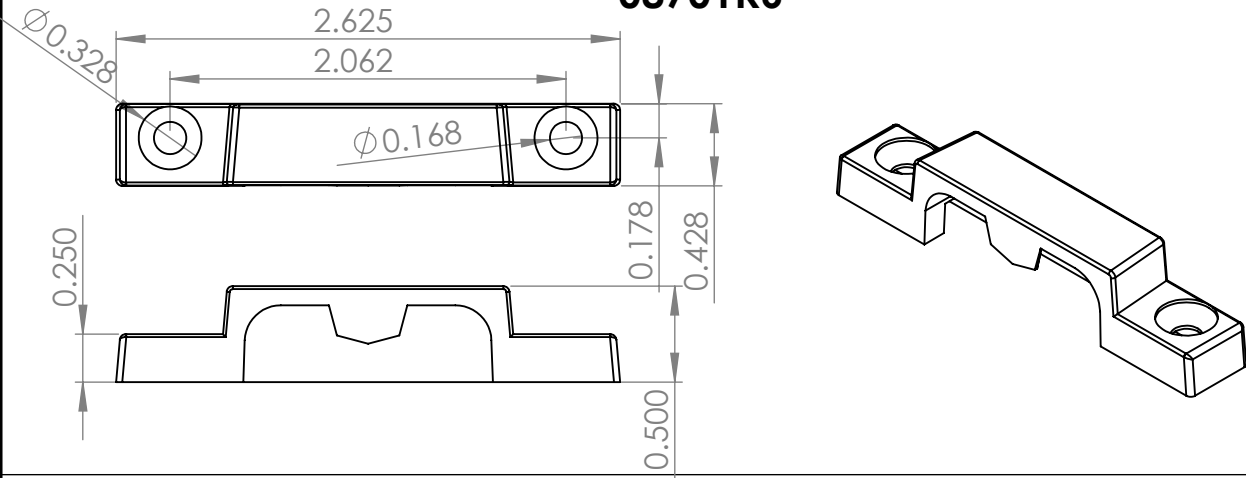
SHEET 1 OF 3



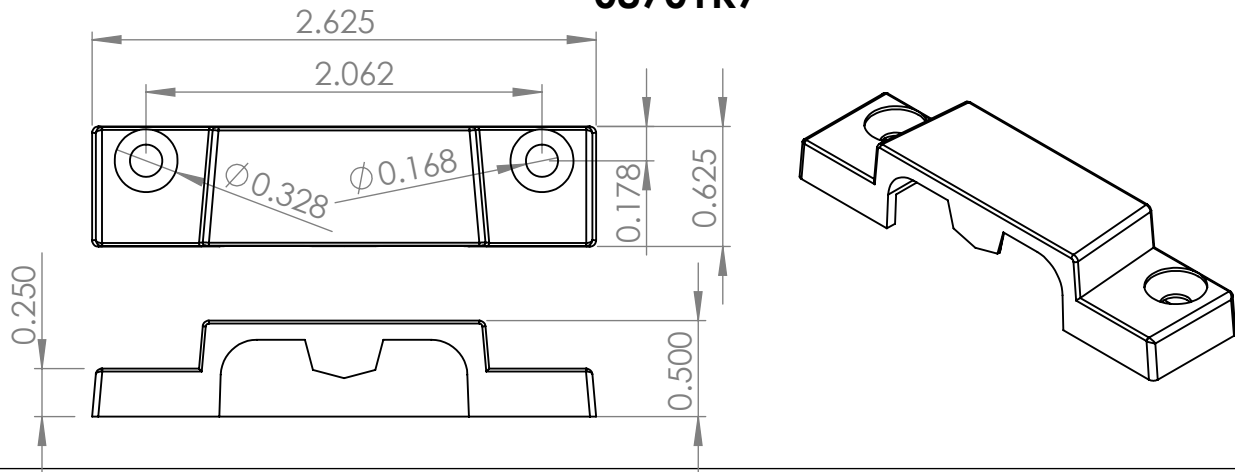
# KEEPERS FOR 8700 SERIES LOCKS TOP MOUNTED

SHEET 2 OF 3

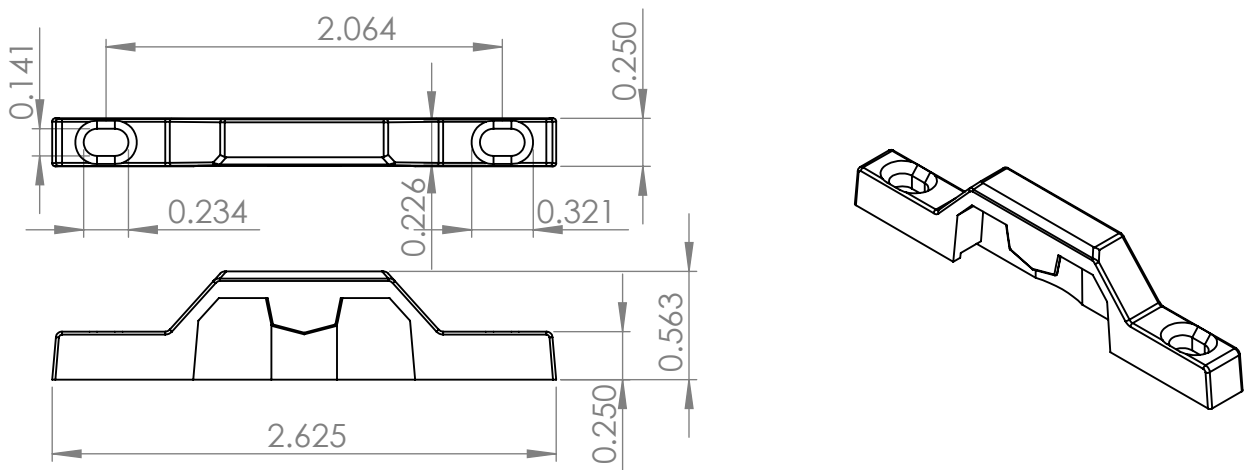
### 08701K6



### 08701K7

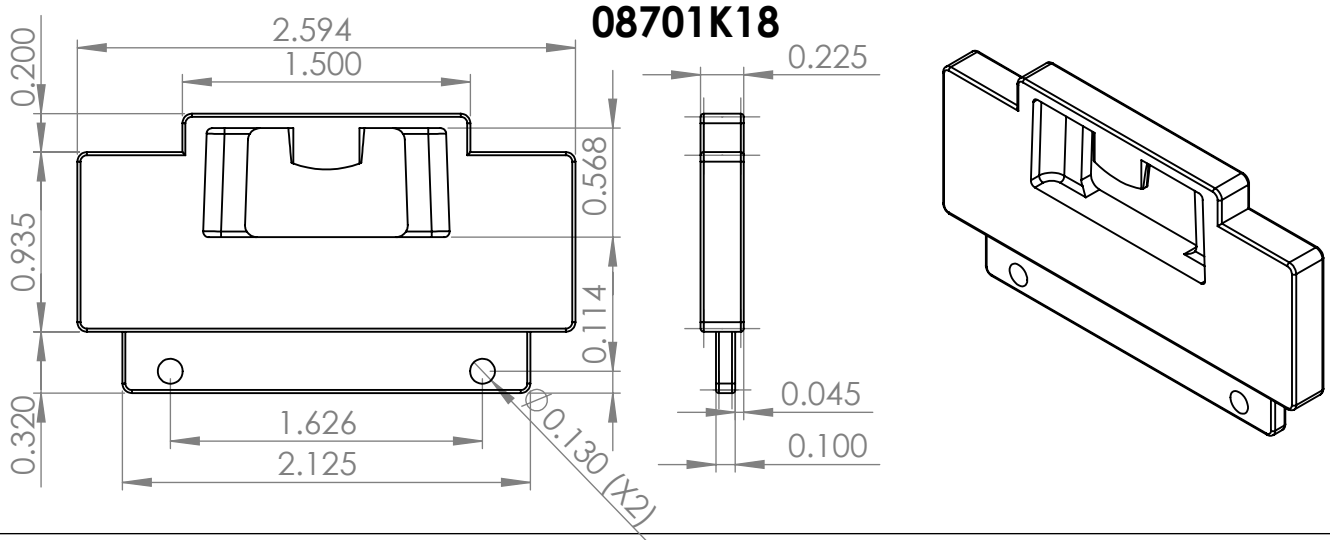


### 08701K26



# KEEPERS FOR 8700 SERIES LOCKS TOP MOUNTED

SHEET 3 OF 3

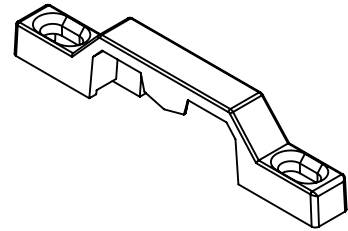
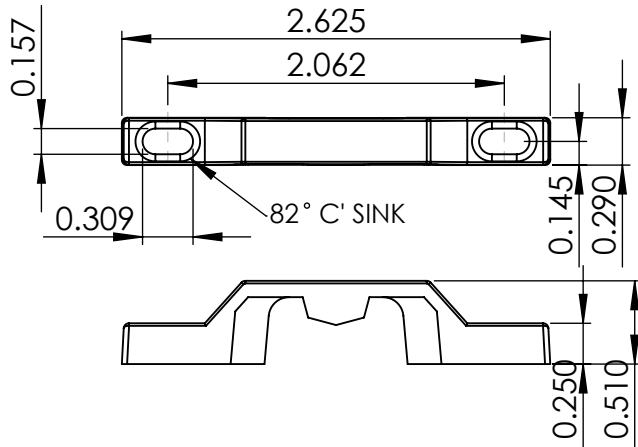




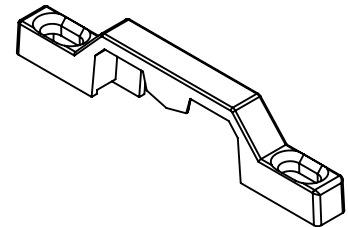
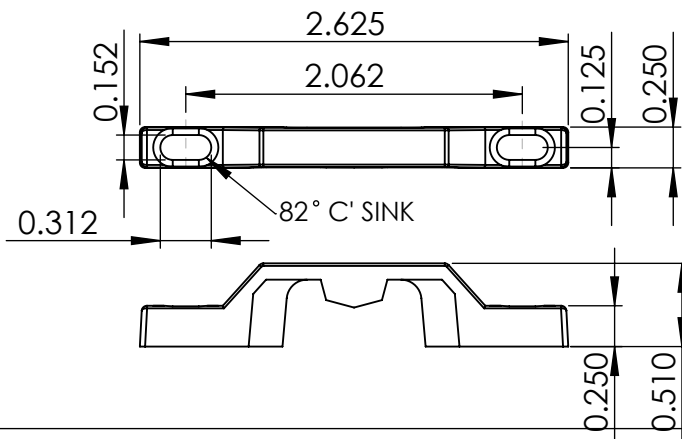
# KEEPERS FOR 8500 SERIES LOCKS TOP MOUNTED

PAGE 1 OF 2

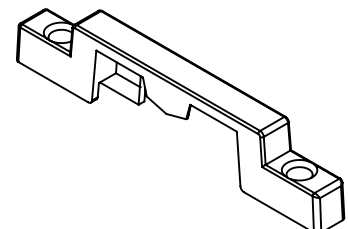
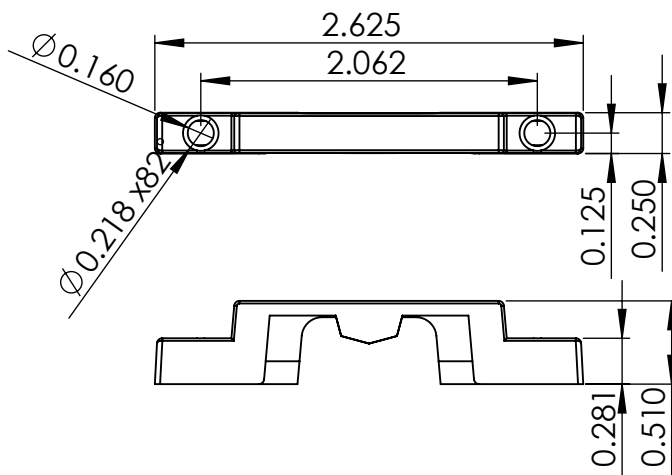
## # 08501 K8



## # 08501 K9



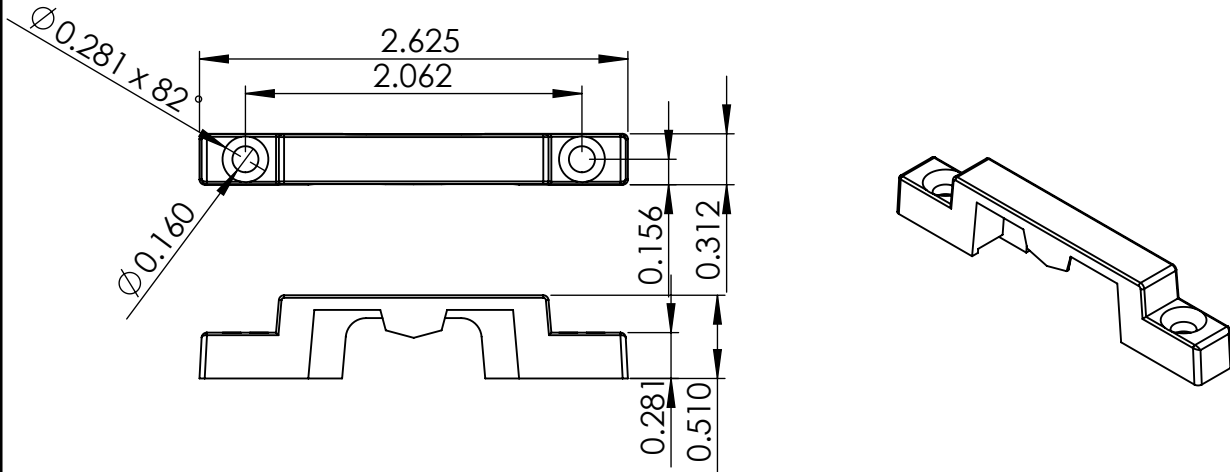
## # 08501 K10



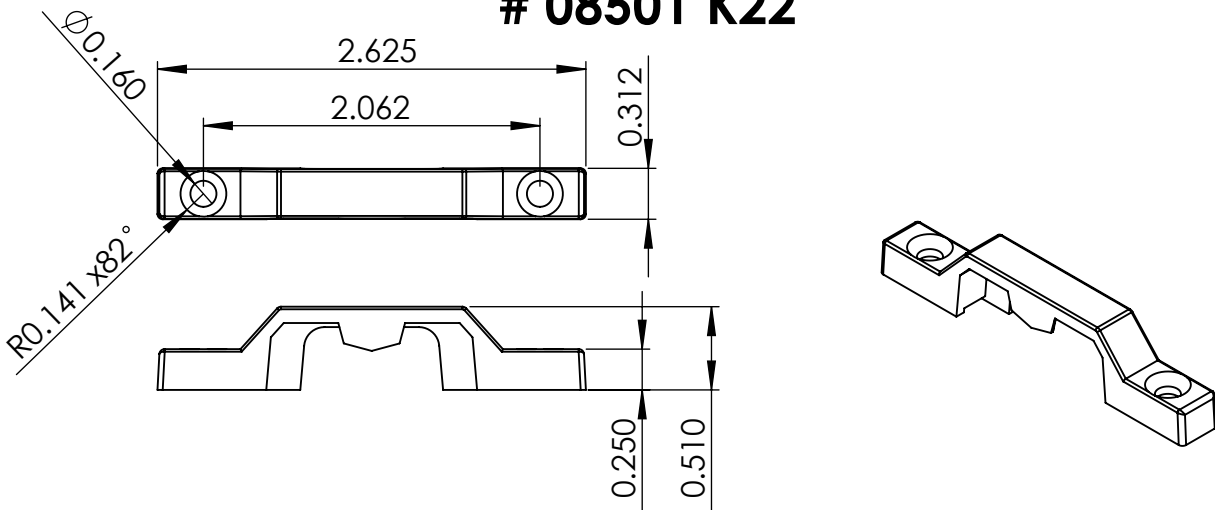
# KEEPERS FOR 8500 SERIES LOCKS TOP MOUNTED

PAGE 2 OF 2

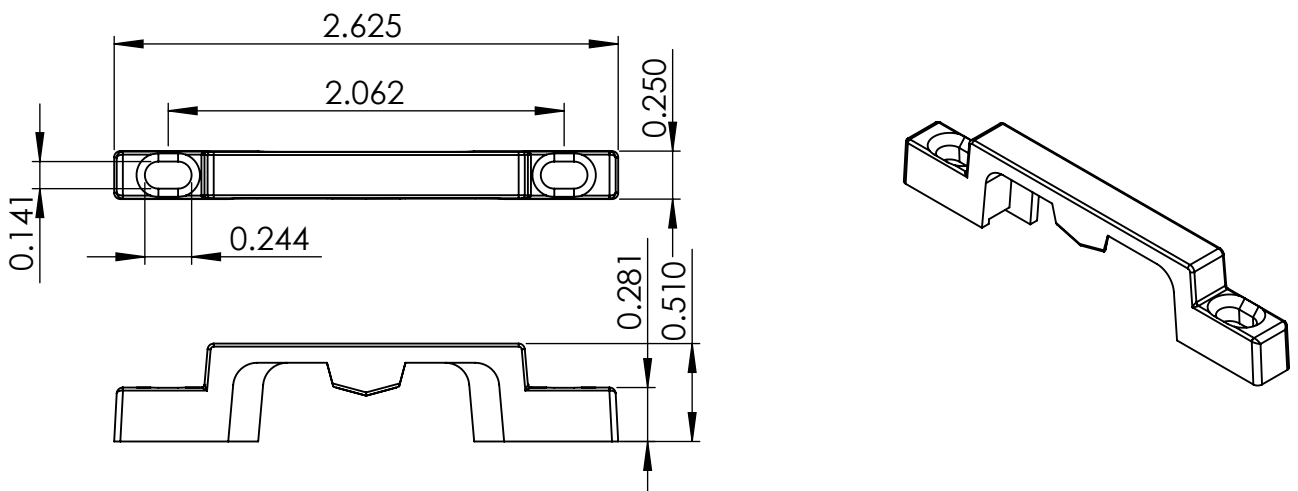
## # 08501 K12



## # 08501 K22



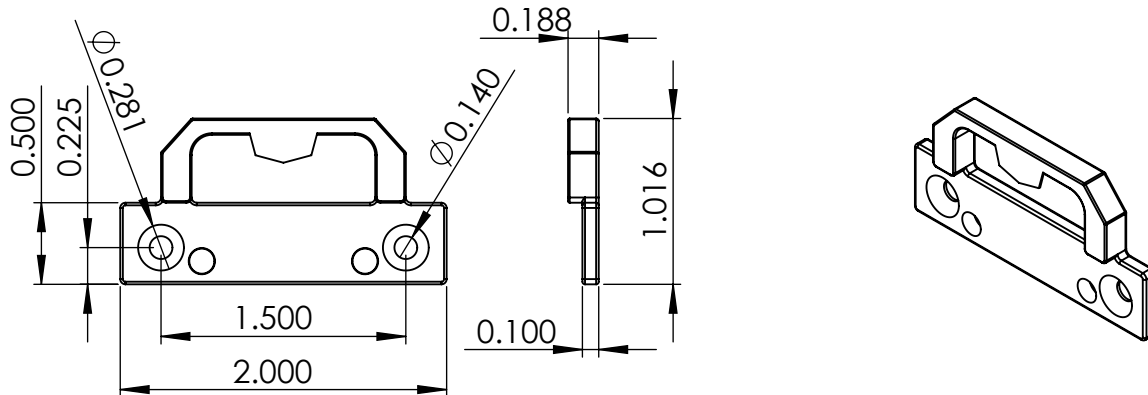
## # 08501 K29



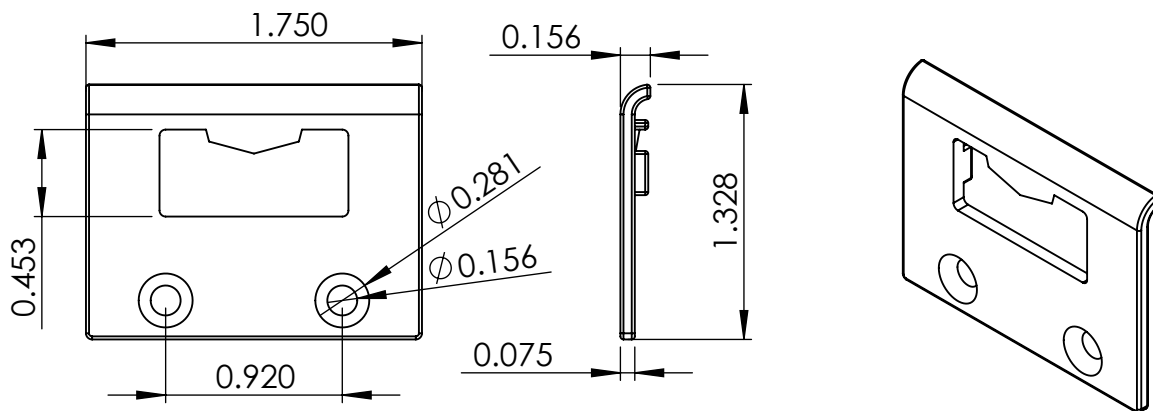
# KEEPERS FOR 8500 SERIES LOCKS FACE MOUNTED

PAGE 1 OF 1

## # 08501 K21

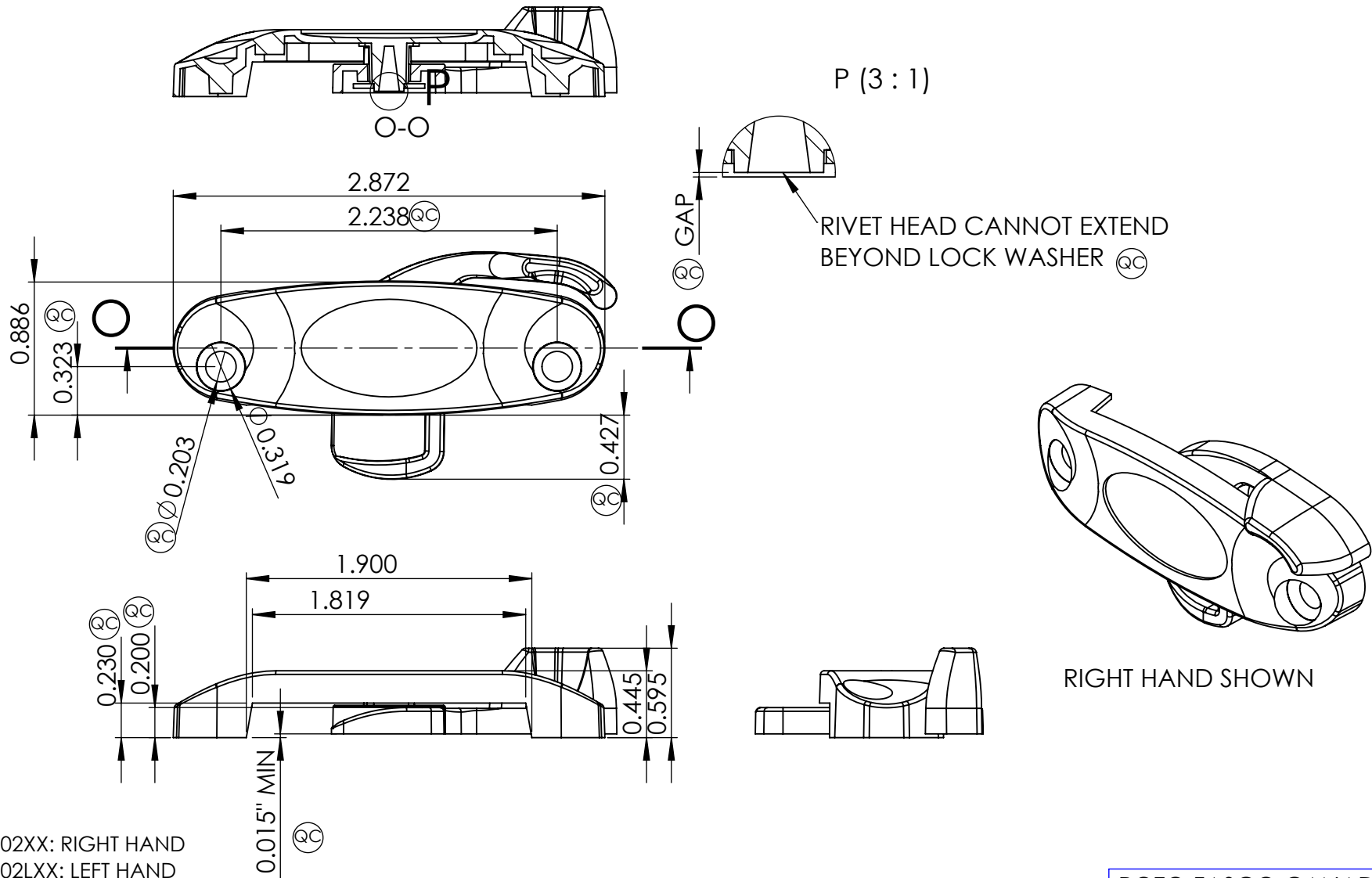


## # 08501 K34



REVISIONS

REV	DESCRIPTION	DATE	DRAWN BY	CHKCKED BY



VA-111102XX: RIGHT HAND  
 VA-111102LXX: LEFT HAND

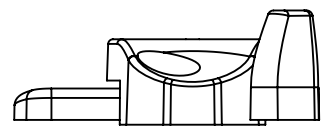
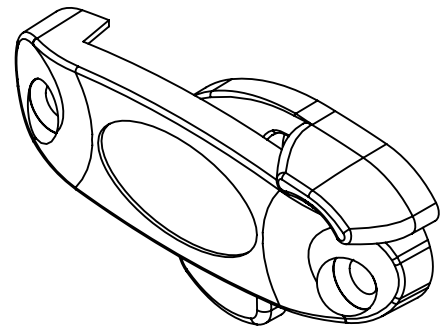
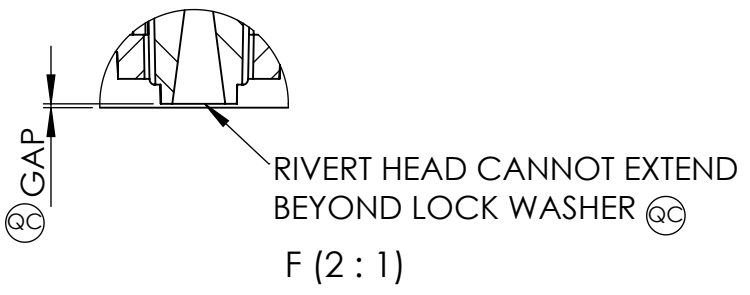
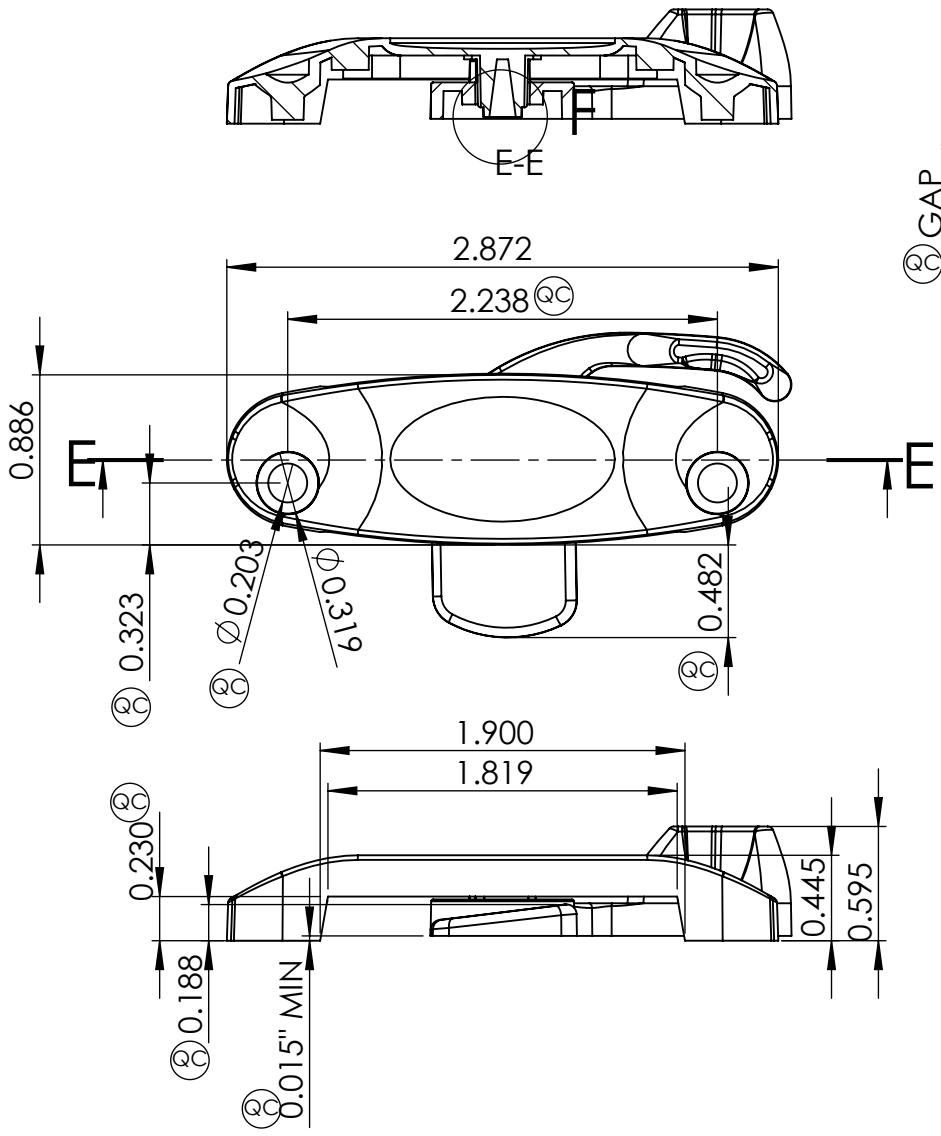
ALL DIMENSIONS PERTAIN TO RAW PART  
 PAINT THICKNESS 0.003" - 0.005"

VA-1100758WH IS IDENTICAL BUT HAS THE "CONTRA" LOGO  
 VA-1100759LWH IS IDENTICAL BUT IS LEFT HAND AND HAS THE "CONTRA" LOGO

1. GENERAL TOLERANCE +/- .010" UNLESS NOTED;
2. DRAFT ANGLES AS REQUIRED UNLESS NOTED;
3. RADIUS .0156" UNLESS OTHERWISE SPECIFIED.

ROTO FASCO CANADA INC.	
SASH LOCK	
SCALE: 1:1	DATE: 15.11.12
DRAWN: F.CHEN	CHECKED: R.FURGIUELE
MATERIAL: ZAMAC #3	SHEET: 1 OF 1
DWG. NO. VA-111102XX/VA-111102LXX	REV: -

REVISIONS				
REV	DESCRIPTION	DATE	DRAWN BY	CHKCKED BY



ALL DIMENSIONS PERTAIN TO RAW PART  
PAINT THICKNESS 0.003" - 0.005"

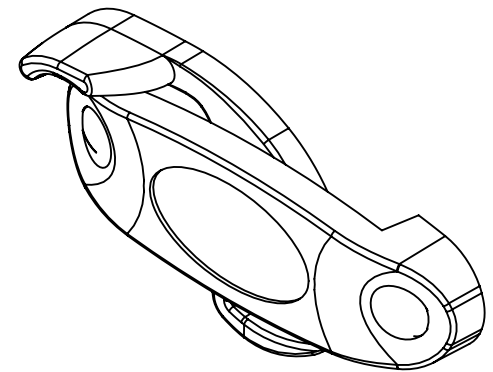
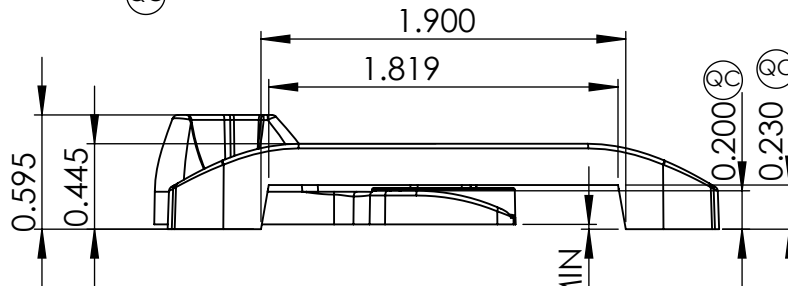
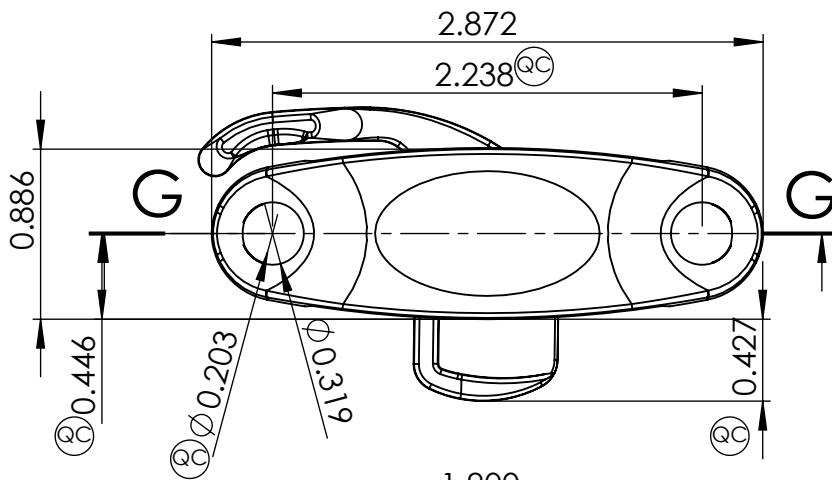
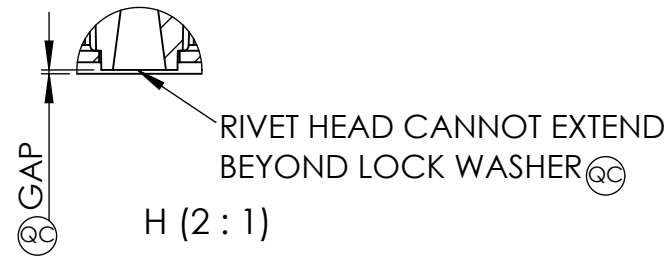
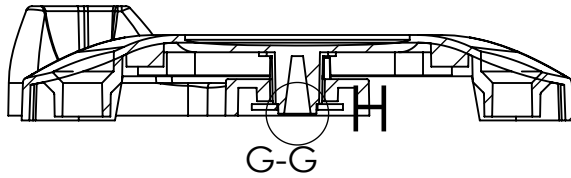
1. GENERAL TOLERANCE +/- .010" UNLESS NOTED;
2. DRAFT ANGLES AS REQUIRED UNLESS NOTED;
3. RADIUS .0156" UNLESS OTHERWISE SPECIFIED.

ROTO FASCO CANADA INC.

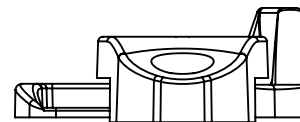
SASH LOCK

SCALE: 1:1	DATE: 15.11.12
DRAWN: F.CHEN	CHECKED: R.FURGIUELE
MATERIAL: ZAMAC #3	SHEET: 1 OF 1
DWG. NO. VA-111104XX	REV: -

REVISIONS				
REV	DESCRIPTION	DATE	DRAWN BY	CHKCKED BY



LEFT HAND SHOWN



VA-111109XX: RIGHT HAND  
VA-111109LXX: LEFT HAND

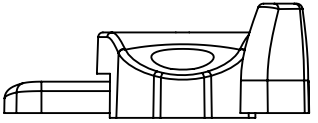
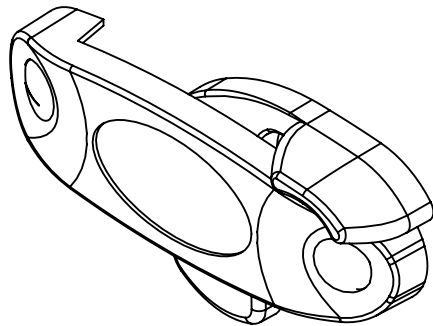
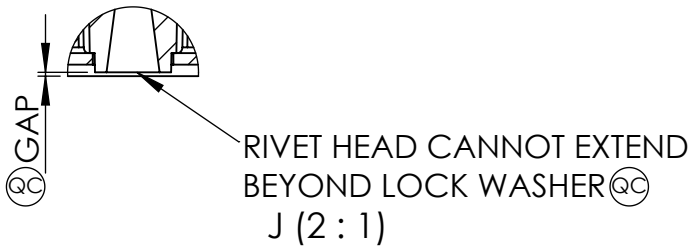
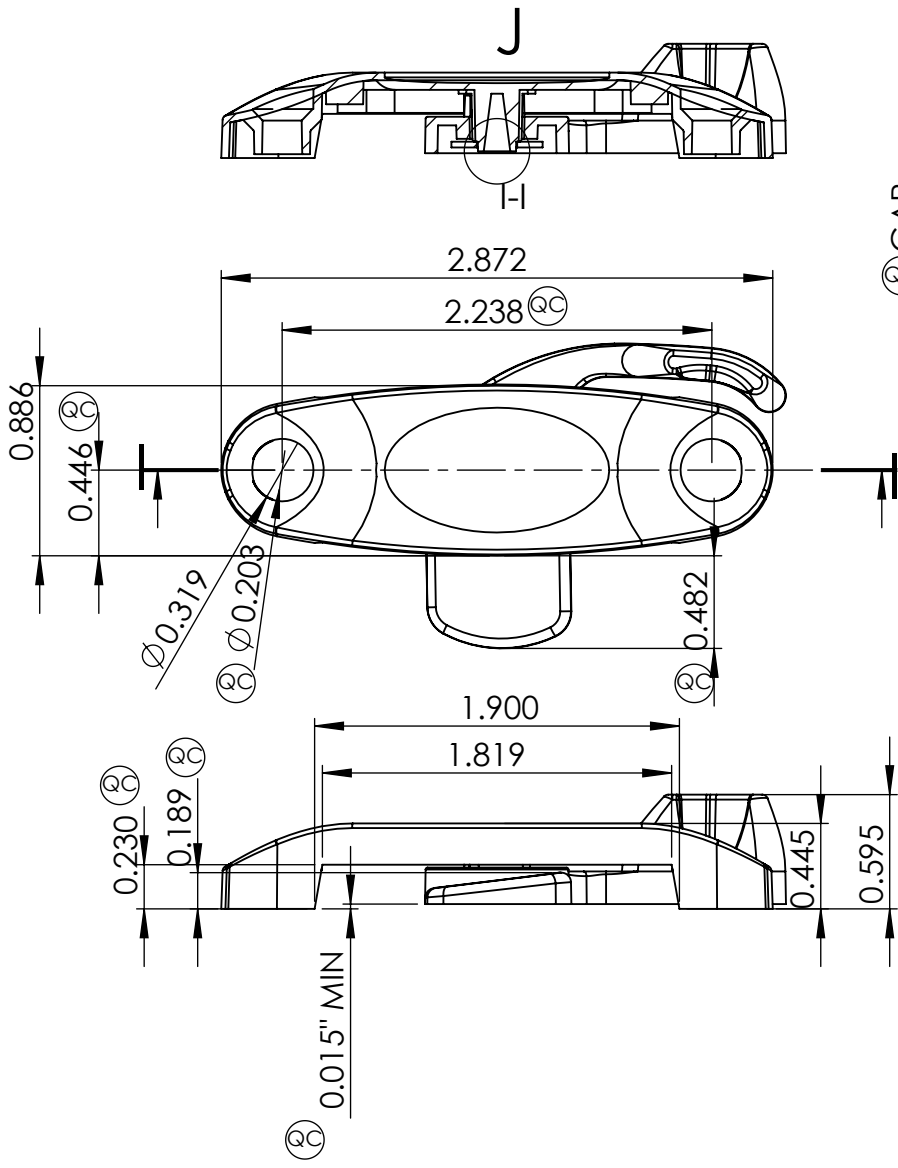
ALL DIMENSIONS PERTAIN TO RAW PART  
PAINT THICKNESS 0.003" - 0.005"

ROTO FASCO CANADA INC.  
SASH LOCK

SCALE: 1:1	DATE: 15.11.12
DRAWN: F.CHEN	CHECKED: R.FURGIUELE
MATERIAL: ZAMAC #3	SHEET: 1 OF 1
DWG. NO. VA-111109XX/VA-111109LXX   REV: -	

1. GENERAL TOLERANCE +/- .010" UNLESS NOTED;
2. DRAFT ANGLES AS REQUIRED UNLESS NOTED;
3. RADIUS .0156" UNLESS OTHERWISE SPECIFIED.

REVISIONS				
REV	DESCRIPTION	DATE	DRAWN BY	CHKCKED BY

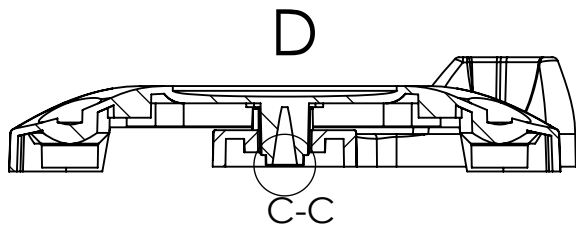


ALL DIMENSIONS PERTAIN TO RAW PART  
 PAINT THICKNESS 0.003" - 0.005"

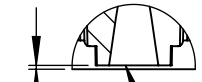
1. GENERAL TOLERANCE +/- .010" UNLESS NOTED;
2. DRAFT ANGLES AS REQUIRED UNLESS NOTED;
3. RADIUS .0156" UNLESS OTHERWISE SPECIFIED.

ROTO FASCO CANADA INC.	
SASH LOCK	
SCALE: 1:1	DATE: 15.11.12
DRAWN: F.CHEN	CHECKED: R.FURGIUELE
MATERIAL: ZAMAC #3	SHEET: 1 OF 1
DWG. NO. VA-111108XX	REV: -

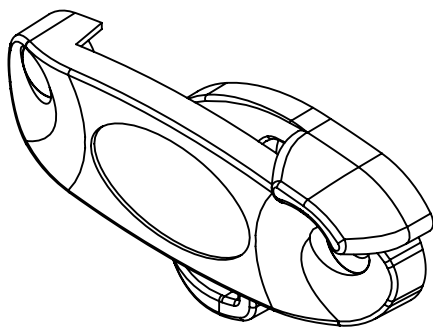
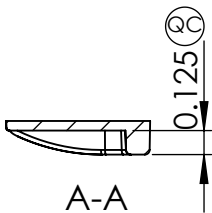
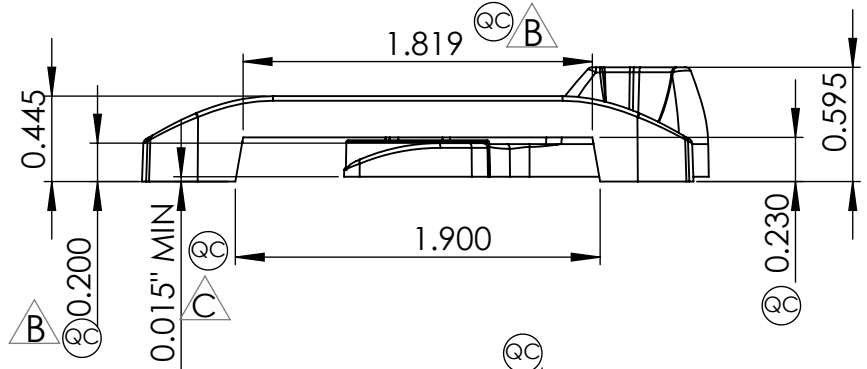
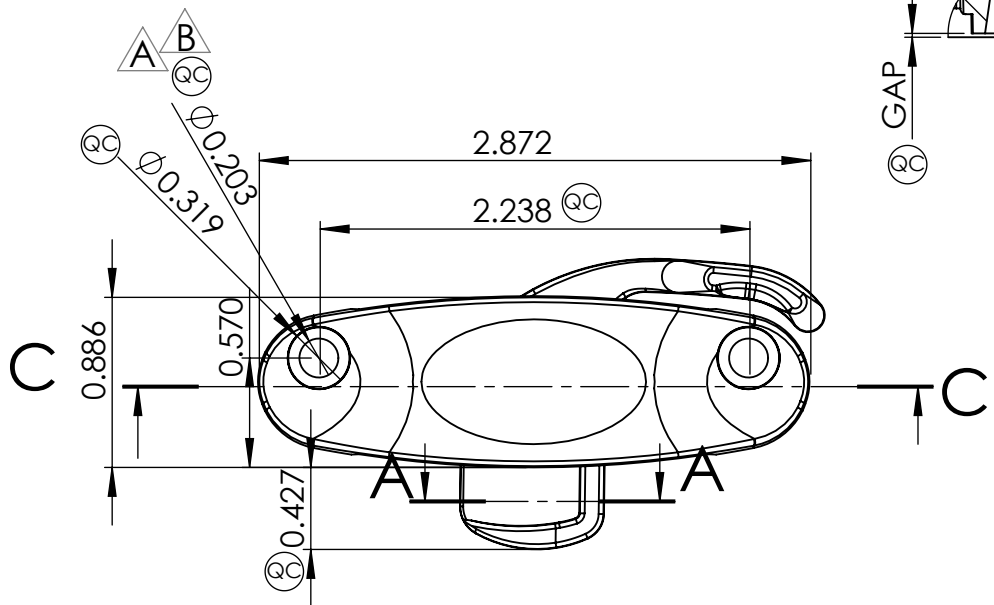
REVISIONS				
REV	DESCRIPTION	DATE	DRAWN BY	CHKCKED BY
A	LOWER TOLERANCE INCREASED	14.16.12	F.CHEN	R.FURGIUELE
B	TOLERANCES CHANGED, DIMENSIONS ADDED	15.01.12	F.CHEN	B.BOURGOIN
C	QC NOTES ADDED	15.04.06	F.CHEN	B.BOURGOIN



D (2:1)



RIVET HEAD CAN NOT EXTEND BEYOND LOCK WASHER



RIGHT HAND SHOWN

VA-111103XX: RIGHT HAND  
VA-111103LXX: LEFT HAND

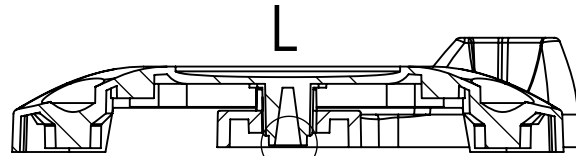
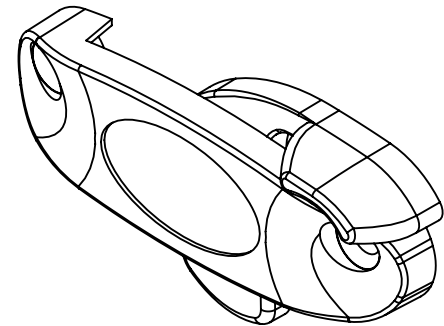
ALL DIMENSIONS PERTAIN TO RAW PART  
PAINT THICKNESS 0.003" - 0.005"

1. GENERAL TOLERANCE +/- .010" UNLESS NOTED;
2. DRAFT ANGLES AS REQUIRED UNLESS NOTED;
3. RADIUS .0156" UNLESS OTHERWISE SPECIFIED.

ROTO FASCO CANADA INC.			
SASH LOCK			
SCALE: 1:1	DATE: 14.05.07		
DRAWN: F.CHEN	CHECKED: R.FURGIUELE		
MATERIAL: ZAMAC #3	SHEET: 1 OF 1		
DWG. NO. VA-111103XX/VA-111103LXX			REV: C



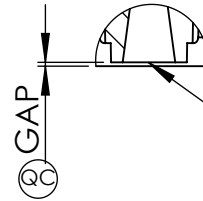
REVISIONS				
REV	DESCRIPTION	DATE	DRAWN BY	CHKCKED BY



K-K

2.872

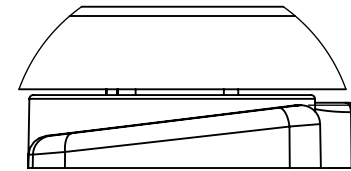
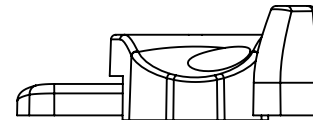
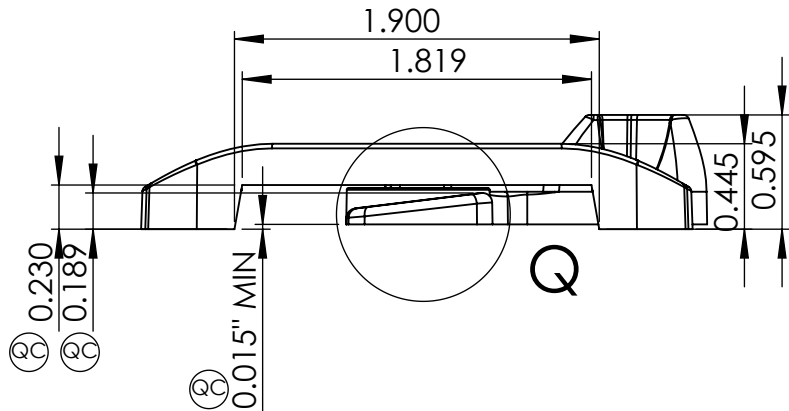
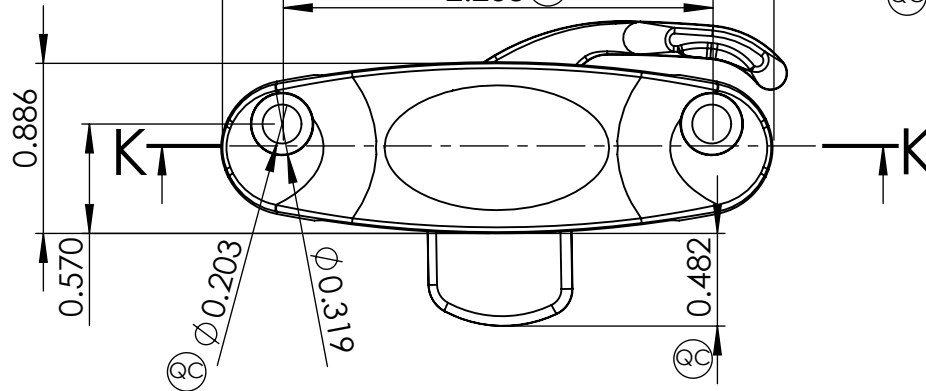
2.238 QC



GAP

RIVET HEAD CANNOT EXTEND BEYOND LOCK WASHER QC

L (2 : 1)



0.164 QC  
Tongue Thickness

Q (2 : 1)

ROTO FASCO CANADA INC.  
SASH LOCK

SCALE: 1:1	DATE: 15.11.12
DRAWN: F.CHEN	CHECKED: R.FURGIUELE
MATERIAL: ZAMAC #3	SHEET: 1 OF 1
DWG. NO. VA-111105XX	REV: -

ALL DIMENSIONS PERTAIN TO RAW PART  
PAINT THICKNESS 0.003" - 0.005"

1. GENERAL TOLERANCE +/- .010" UNLESS NOTED;
2. DRAFT ANGLES AS REQUIRED UNLESS NOTED;
3. RADIUS .0156" UNLESS OTHERWISE SPECIFIED.

# KEEPER 87XXK1

