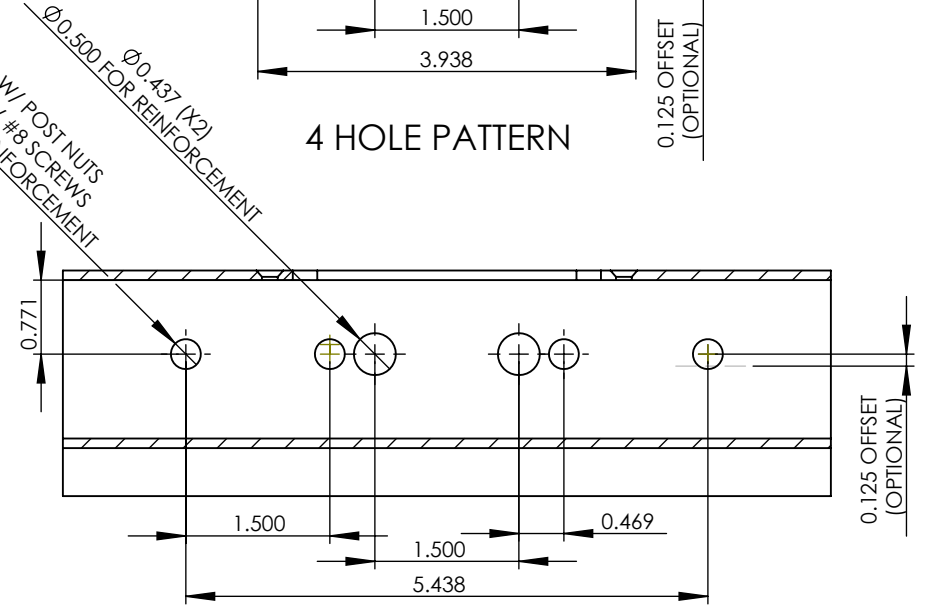
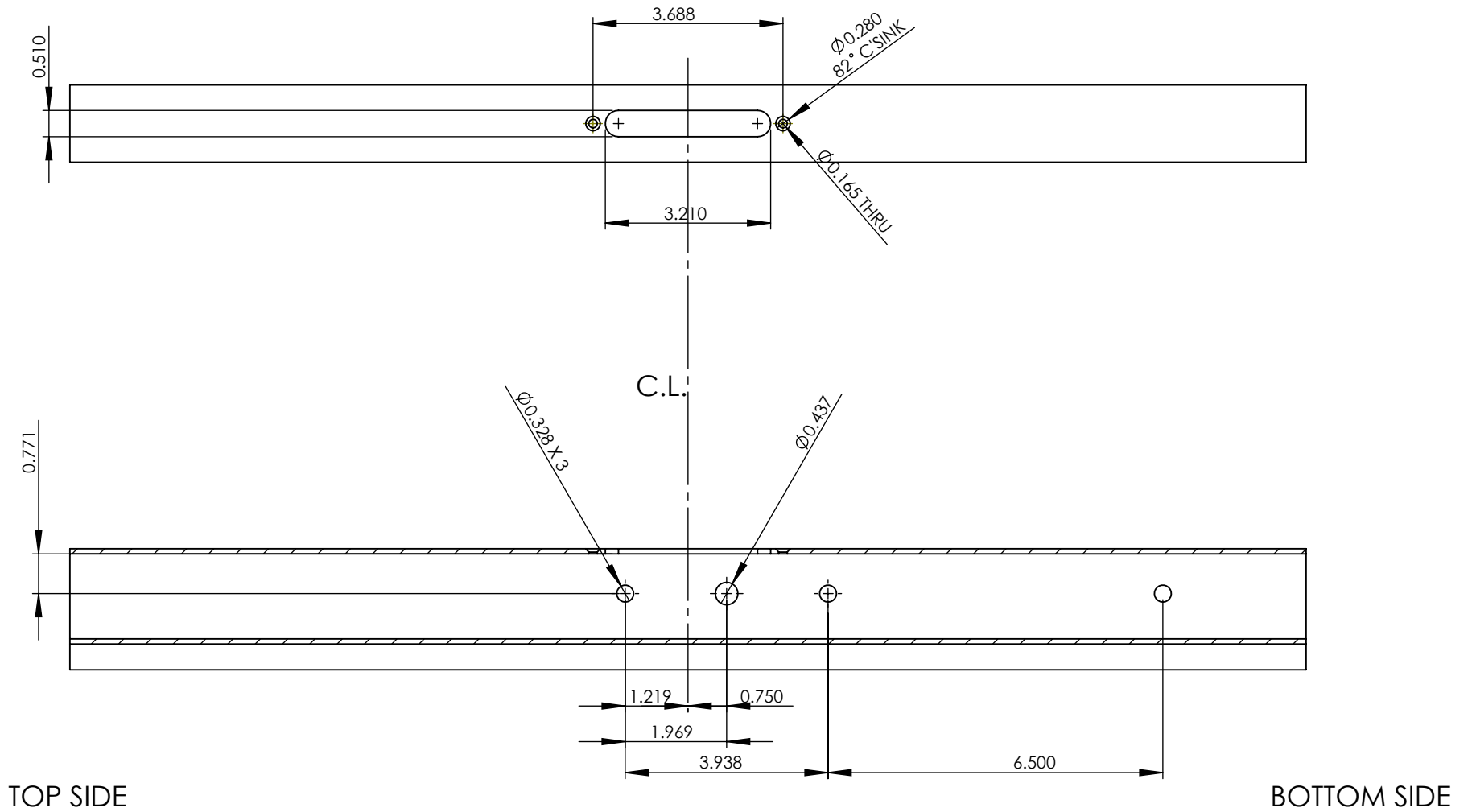


3 HOLE PATTERN
 NOTE: DOOR BECOMES HANDED
 FOR SINGLE POINT LATCHES.



6 HOLE PATTERN

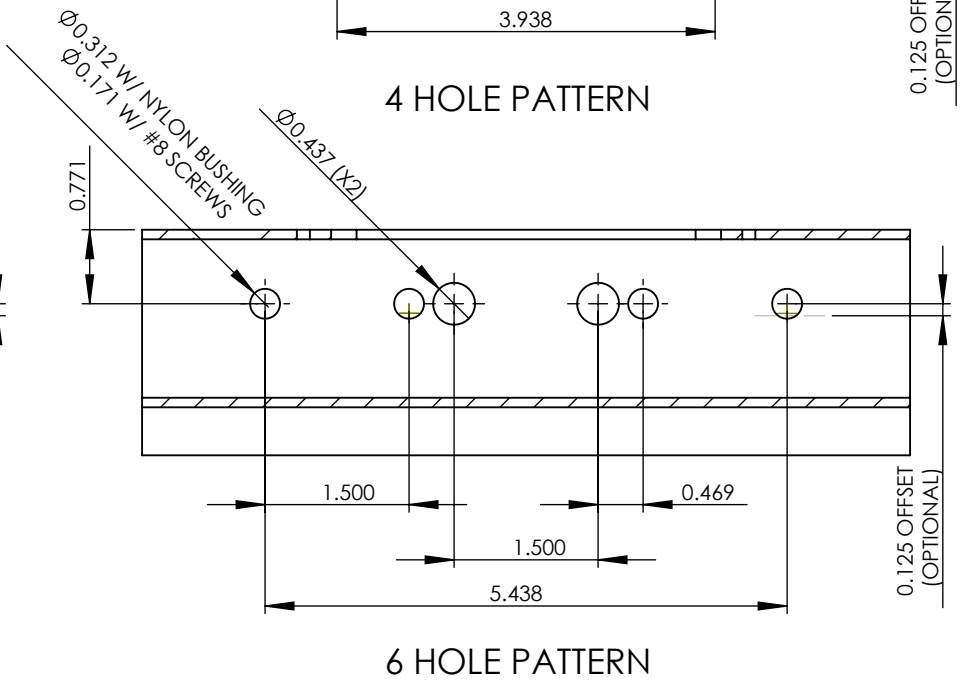
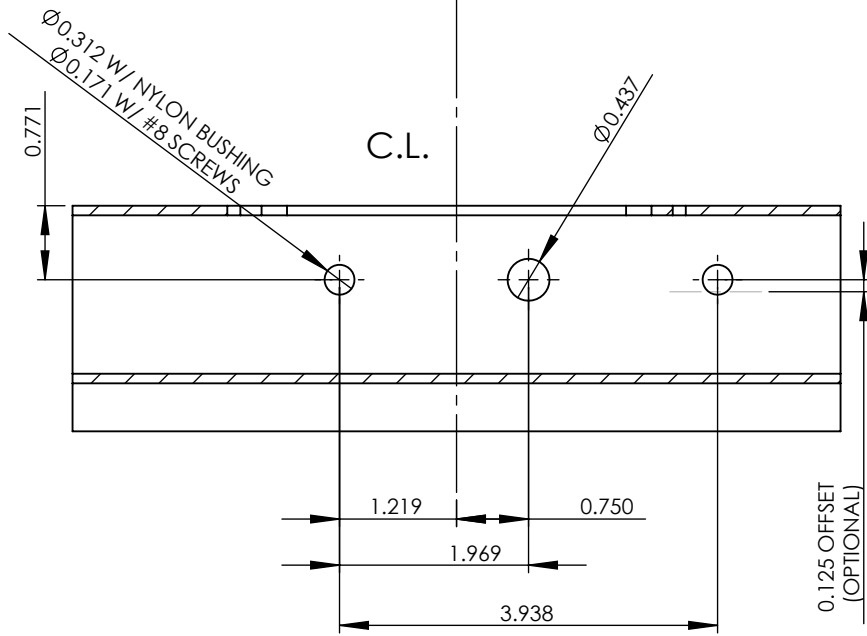
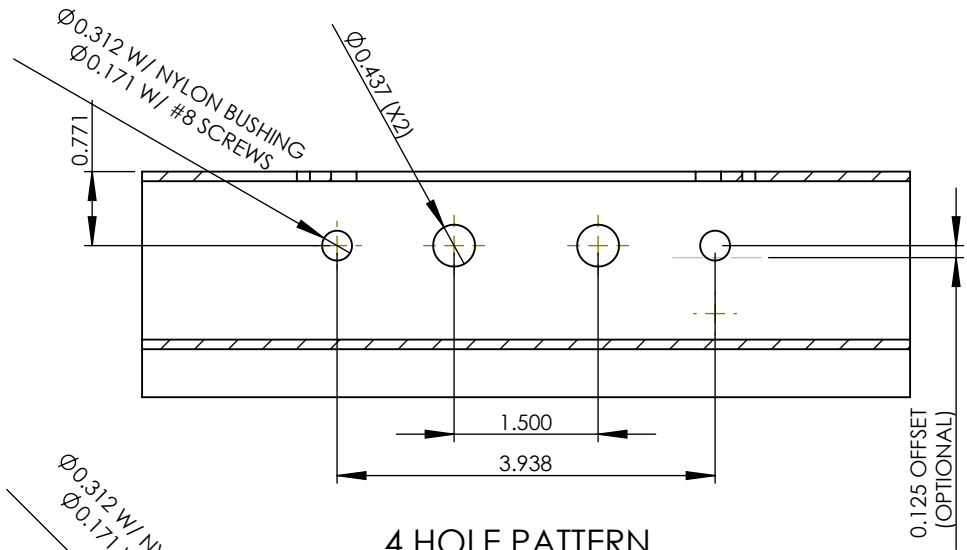
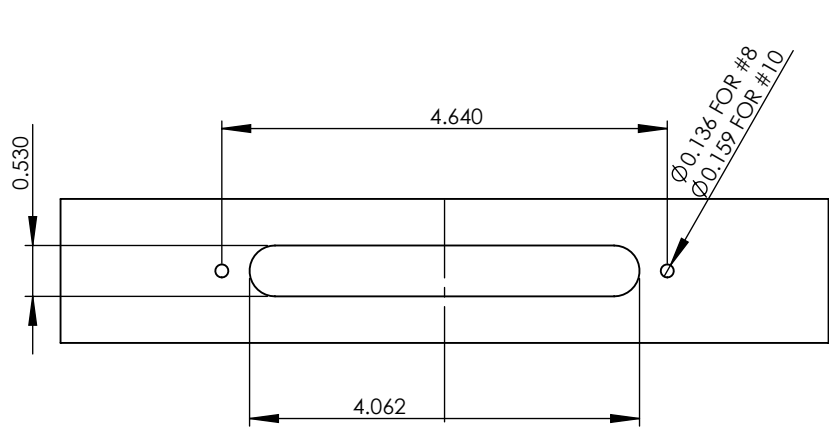
ROTO FASCO CANADA INC.
 SINGLE POINT LATCH ASS'Y
 MACHINING FOR HOLLOW CORE
 DOORS **WITHOUT TRIMPLATE**



NOTE: EXTERIOR SIDE SHOWN

ROTO FASCO CANADA INC.

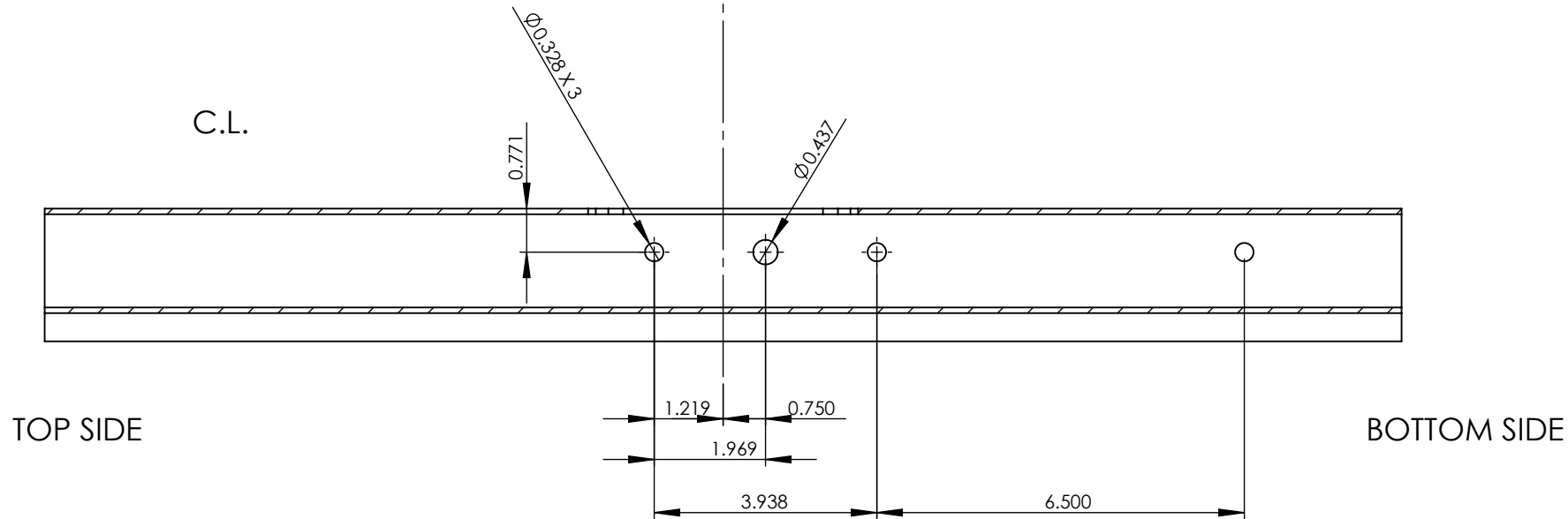
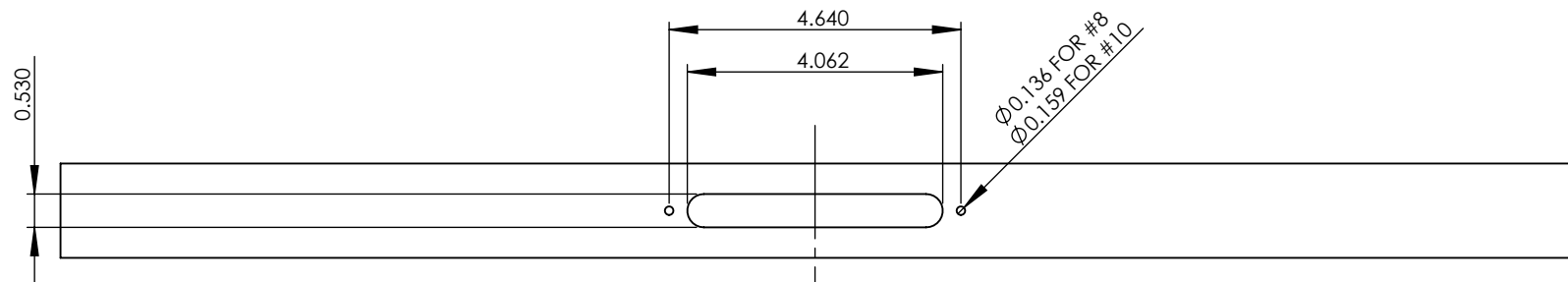
SINGLE POINT LATCH ASS'Y
 MACHINING FOR HOLLOW CORE
 DOORS **WITHOUT TRIMPLATE**
FOR 9100 SERIES HANDLE



3 HOLE PATTERN
 NOTE: DOOR BECOMES HANDED
 FOR SINGLE POINT LATCHES.

ROTO FASCO CANADA INC.

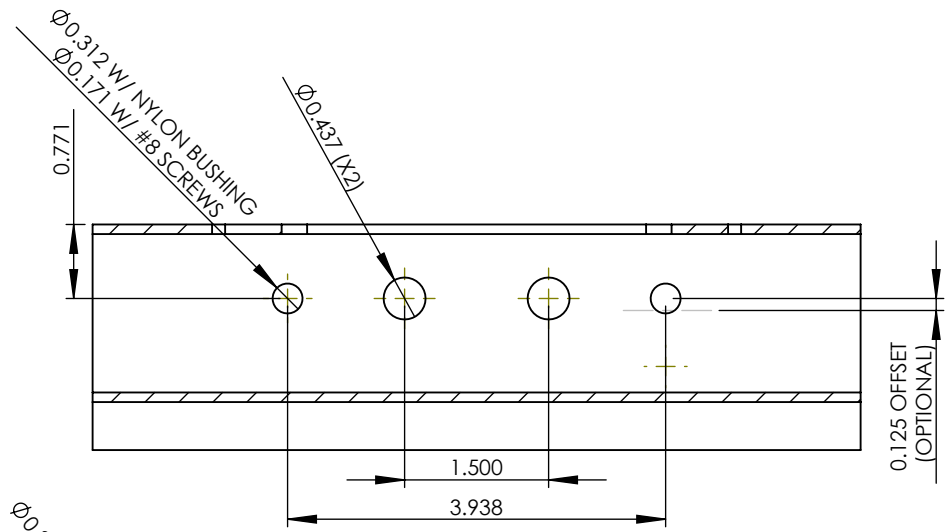
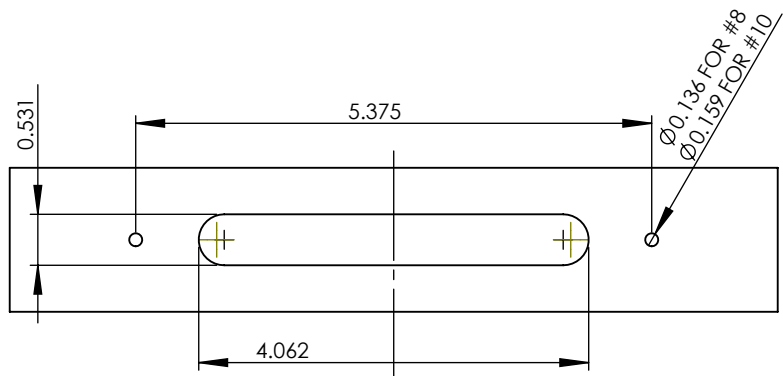
SINGLE POINT LATCH ASS'Y
 MACHINING FOR HOLLOW CORE
 DOORS WITH **FLAT TRIMPLATE**
M0030XX



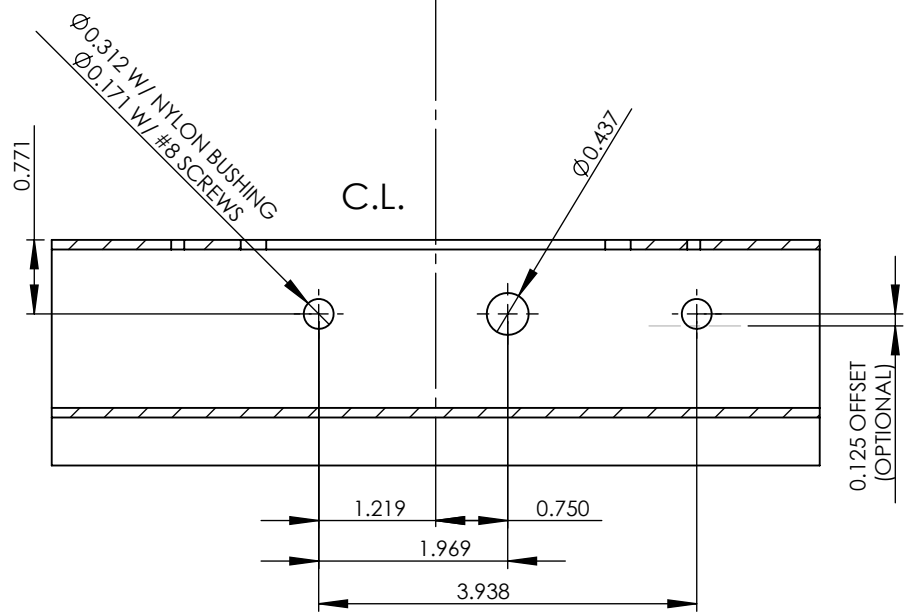
NOTE: EXTERIOR SIDE SHOWN

ROTO FASCO CANADA INC.

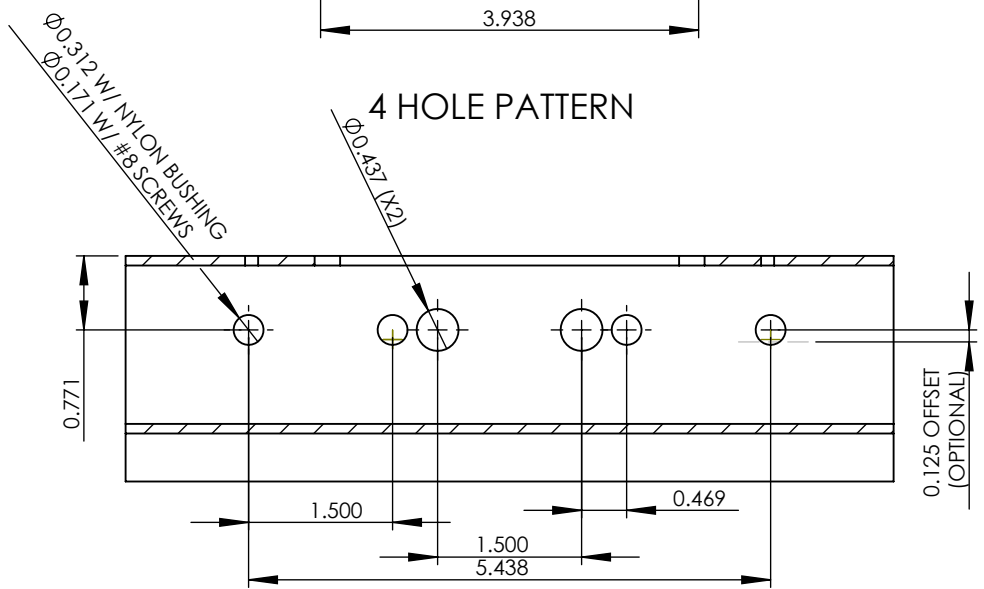
SINGLE POINT LATCH ASS'Y
MACHINING FOR HOLLOW CORE
DOORS WITH **FLAT TRIMPLATE**
M0030XX FOR 9100 SERIES HANDLES



4 HOLE PATTERN



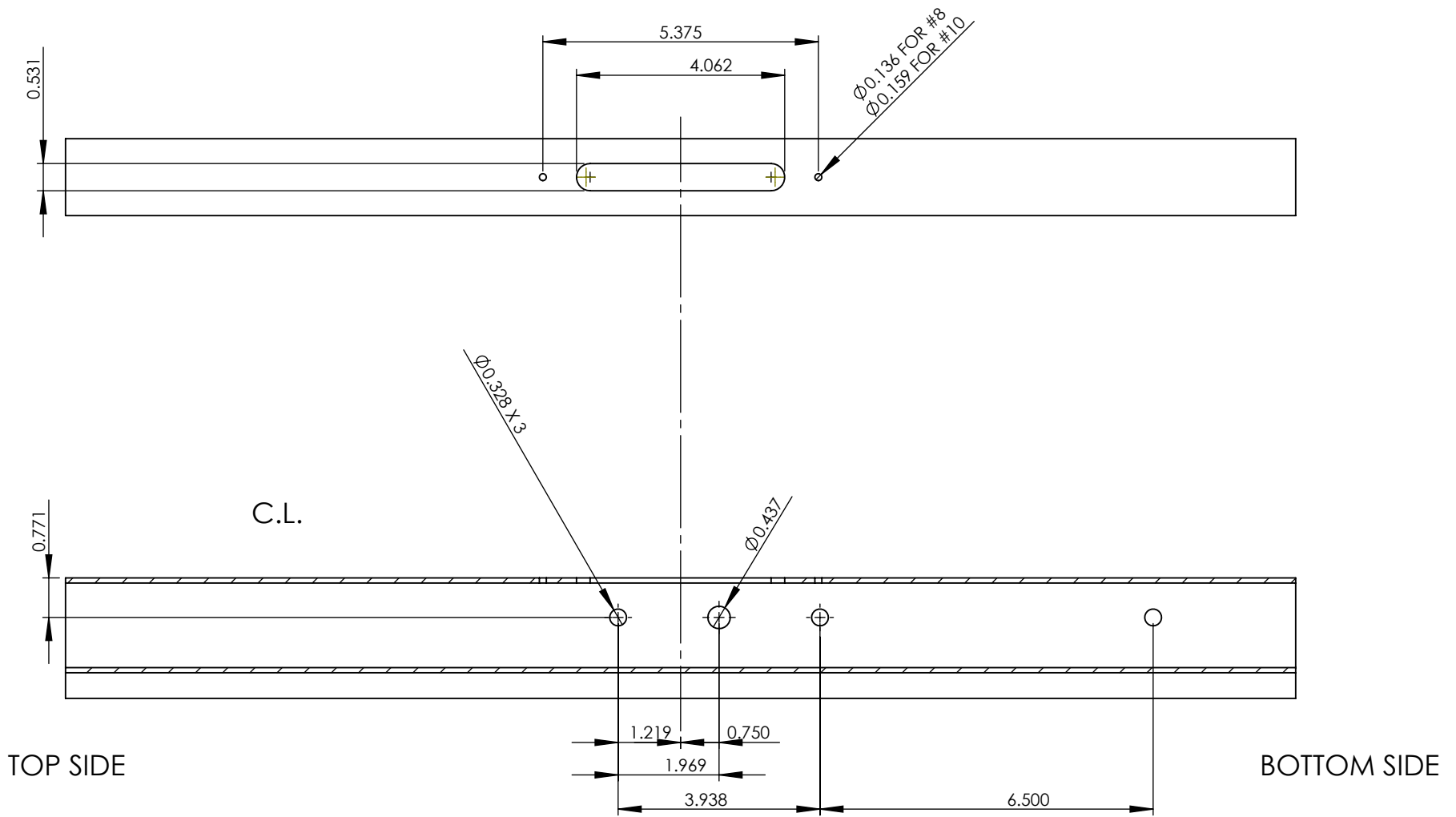
3 HOLE PATTERN
NOTE: DOOR BECOMES HANDED FOR SINGLE POINT LATCHES.



6 HOLE PATTERN

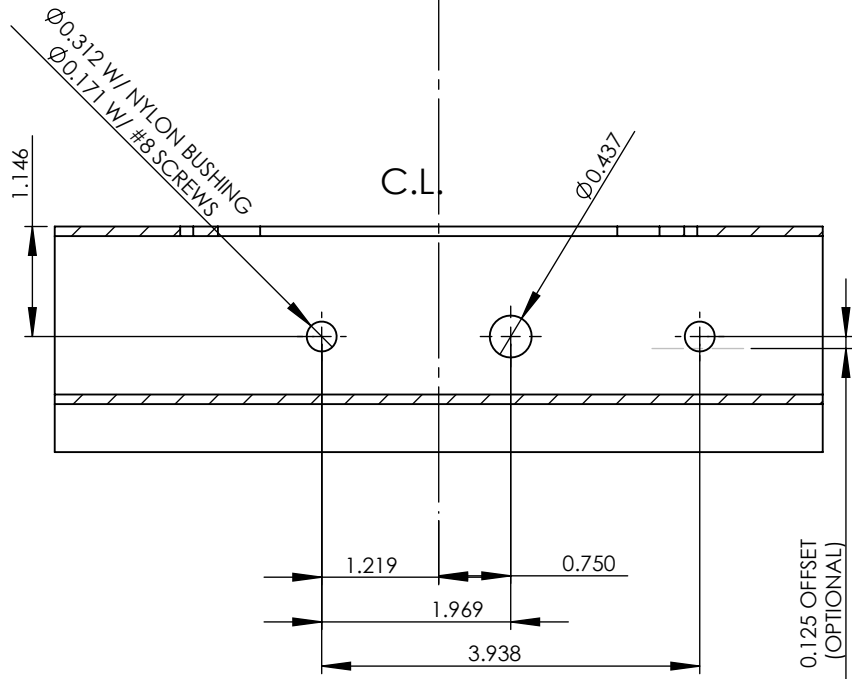
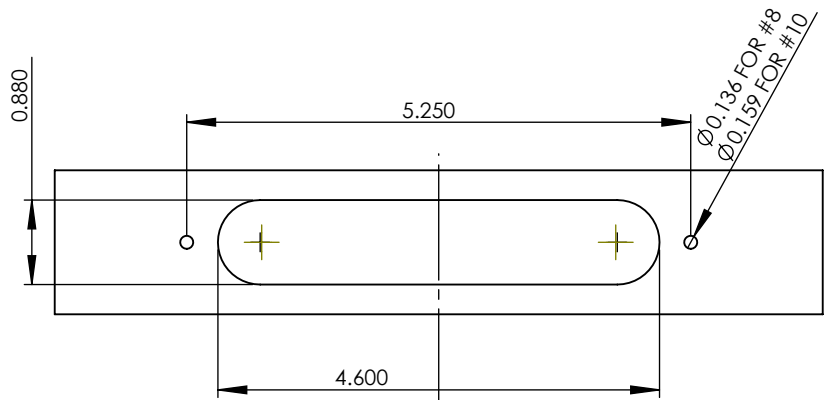
ROTO FASCO CANADA INC.

SINGLE POINT LATCH ASS'Y
MACHINING FOR HOLLOW CORE
DOORS WITH **FLAT TRIMPLATE**
M0031XX

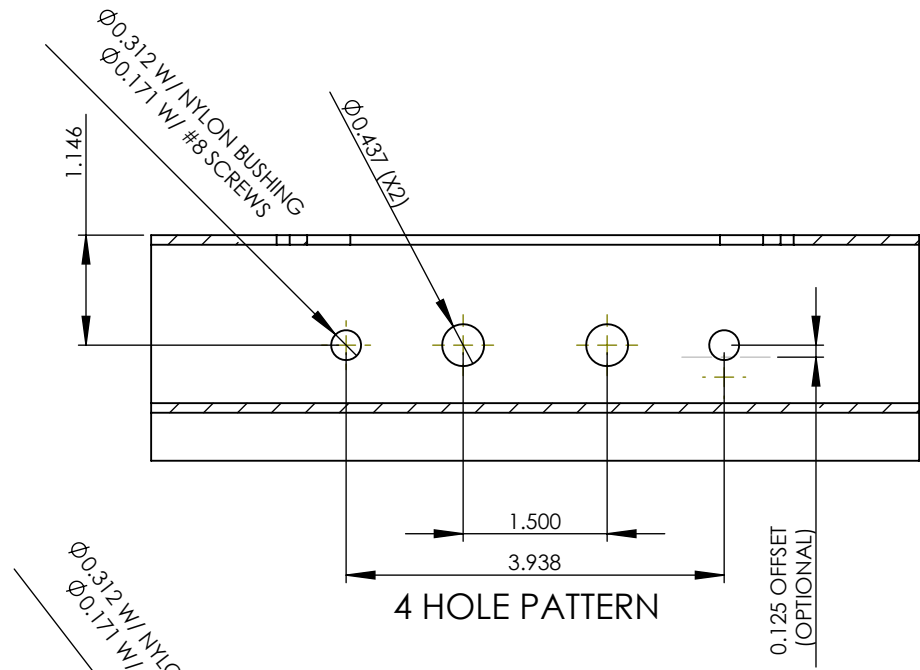


ROTO FASCO CANADA INC.

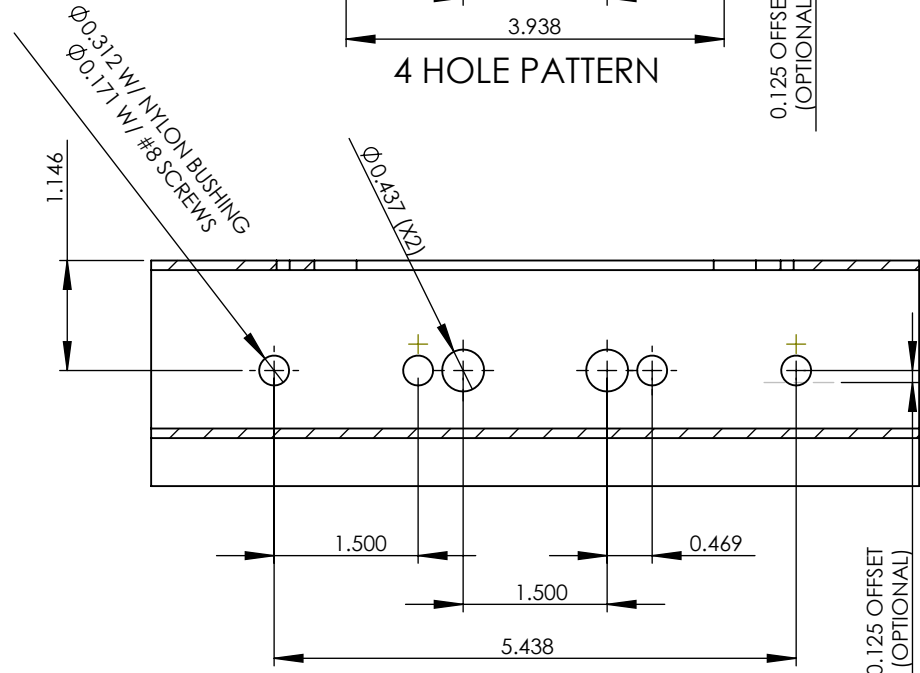
SINGLE POINT LATCH ASS'Y
MACHINING FOR HOLLOW CORE
DOORS WITH **FLAT TRIMPLATE**
M0031XX FOR 9100 SERIES HANDLES



3 HOLE PATTERN
NOTE: DOOR BECOMES HANDED
FOR SINGLE POINT LATCHES.



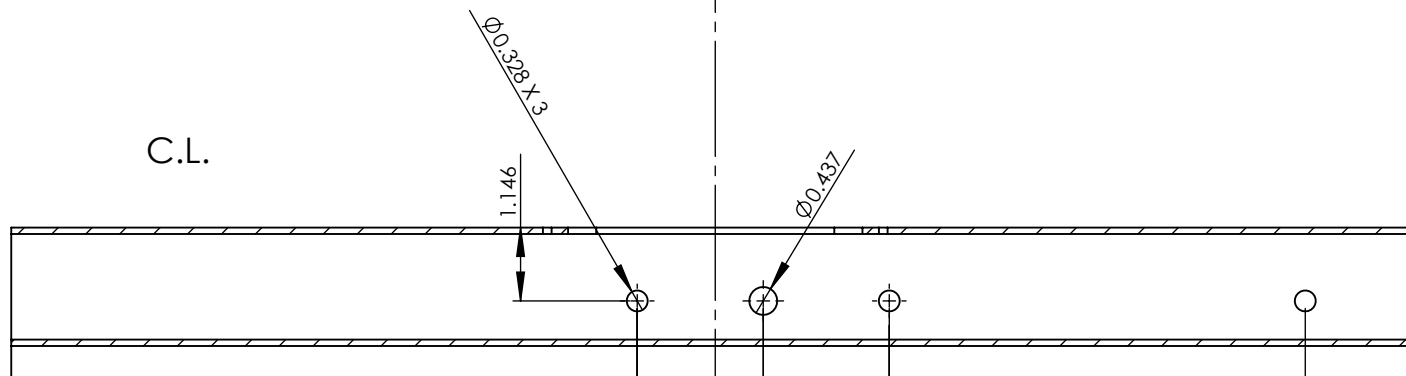
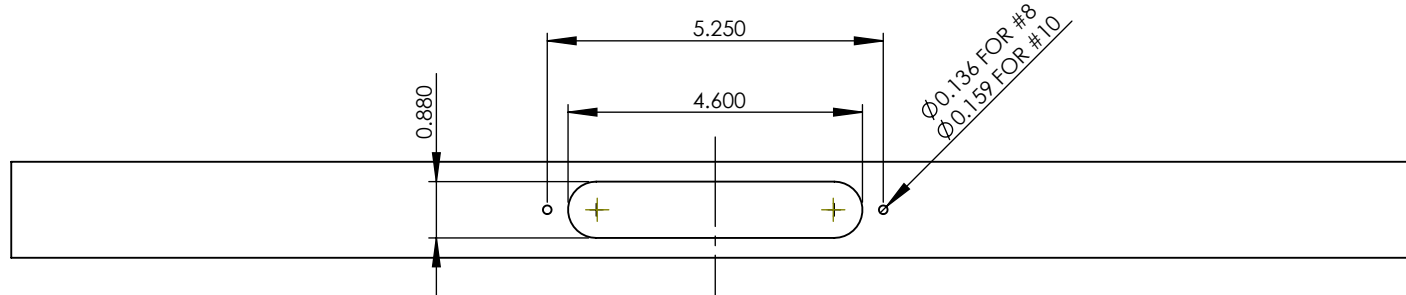
4 HOLE PATTERN



6 HOLE PATTERN

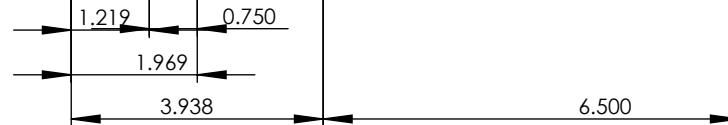
ROTO FASCO CANADA INC.

SINGLE POINT LATCH ASS'Y
MACHINING FOR HOLLOW CORE
DOORS WITH **CUP TRIMPLATE**
M0018XX



TOP SIDE

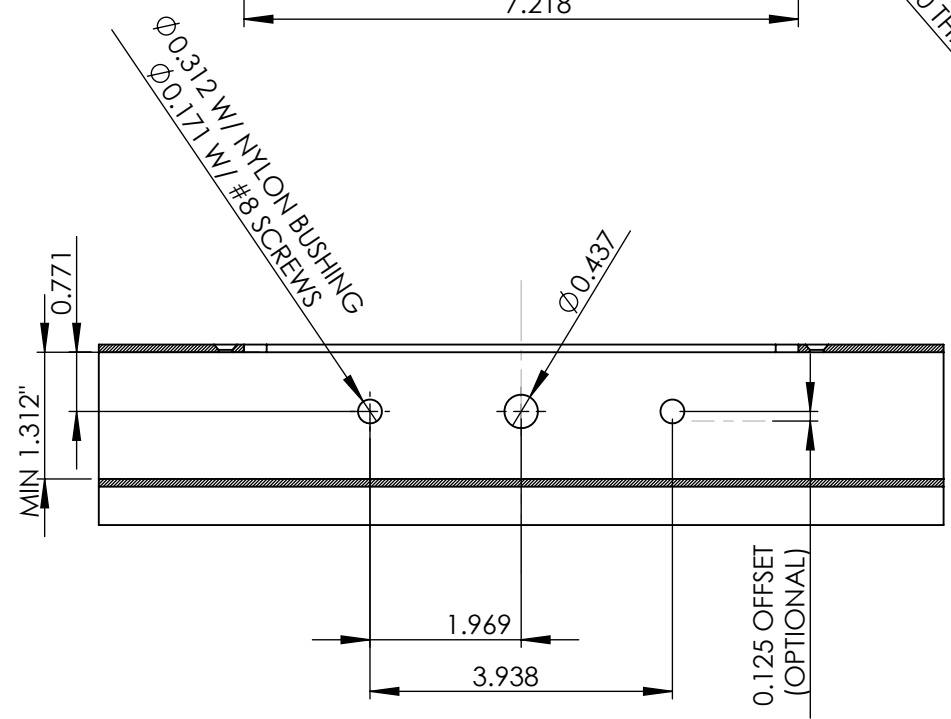
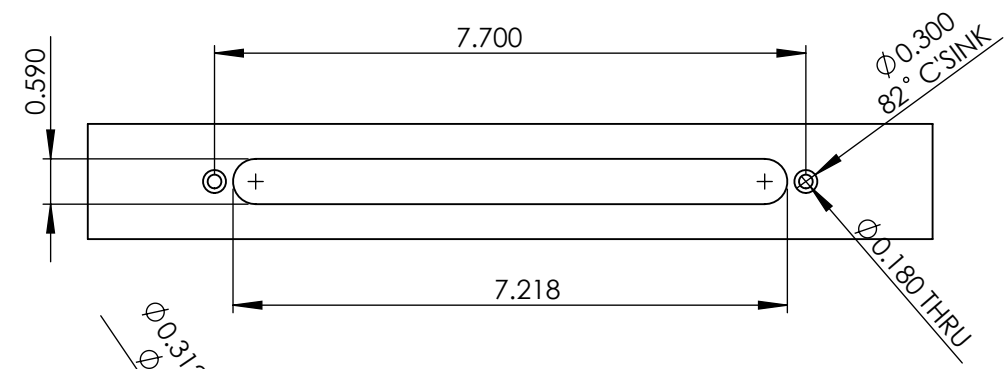
BOTTOM SIDE



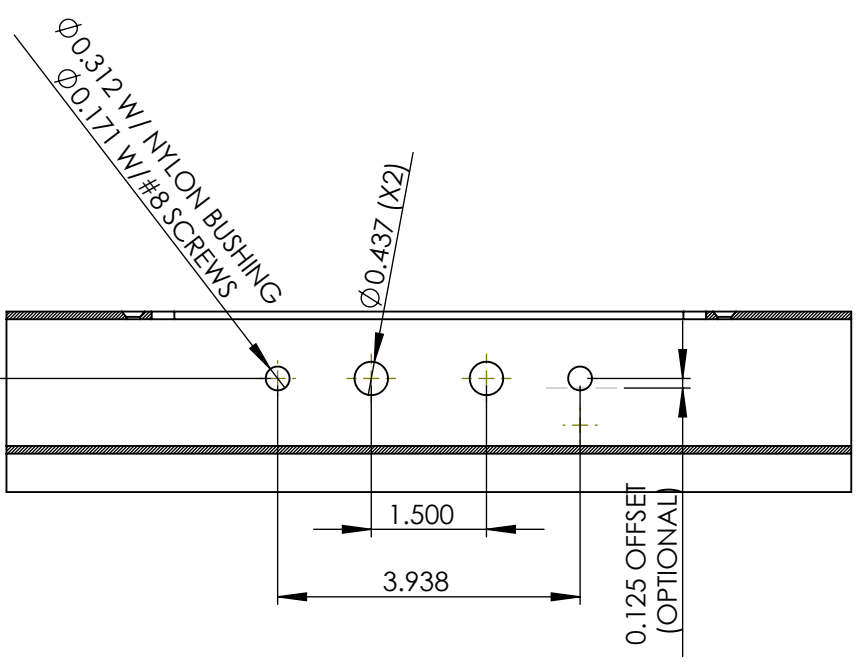
NOTE: EXTERIOR SIDE SHOWN

ROTO FASCO CANADA INC.

SINGLE POINT LATCH ASS'Y
 MACHINING FOR HOLLOW CORE
 DOORS WITH **CUP TRIMPLATE**
M0018XX FOR 9100 SERIES HANDLES

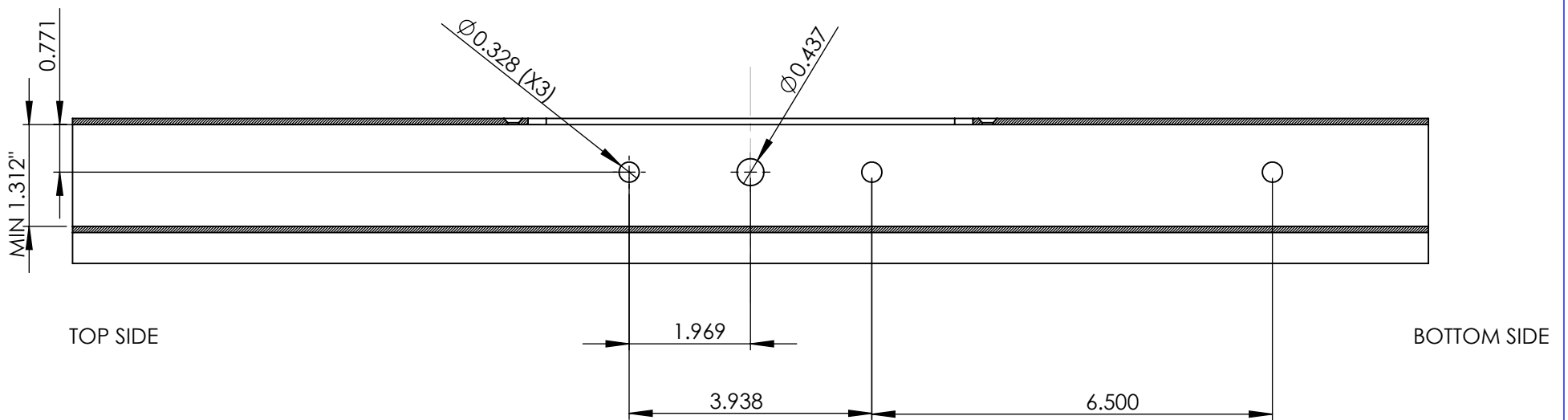
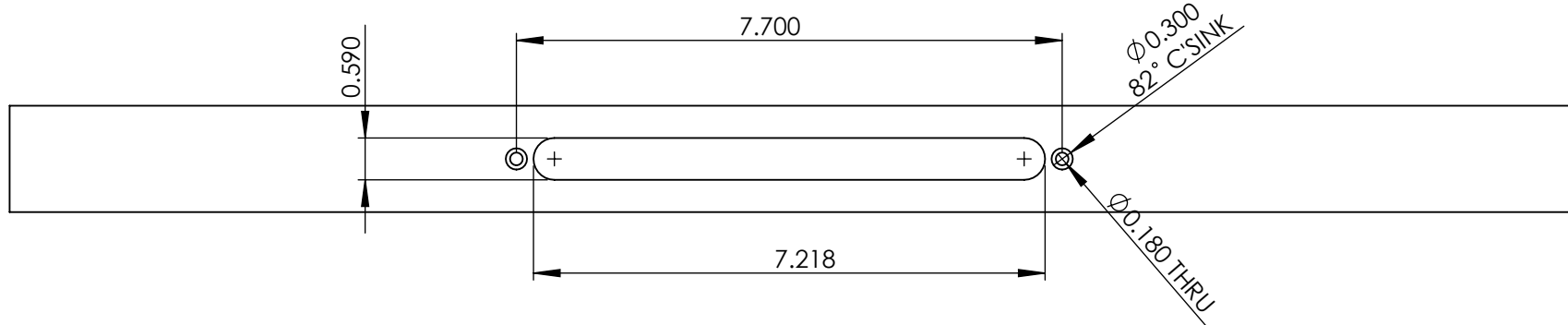


3 HOLE PATTERN



4 HOLE PATTERN

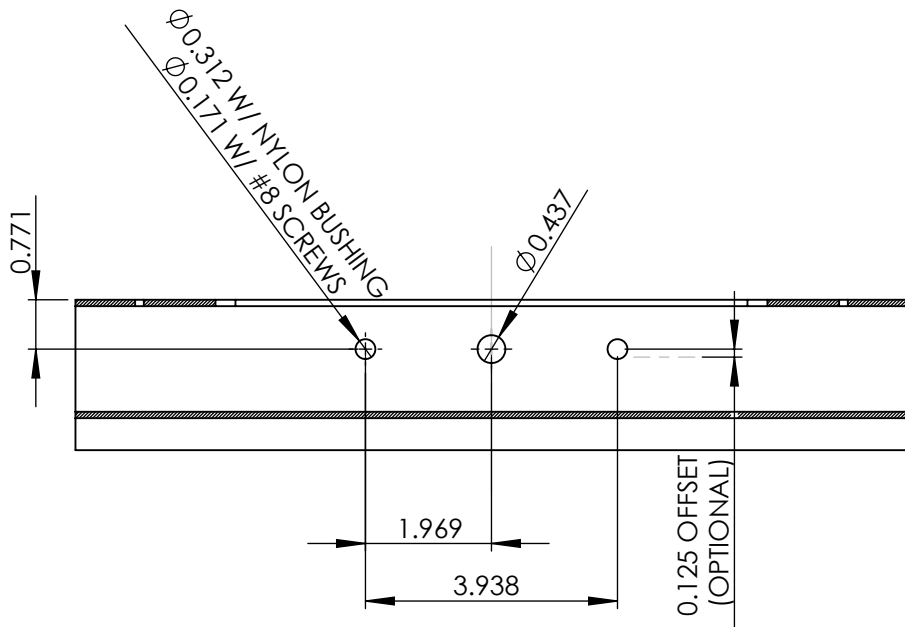
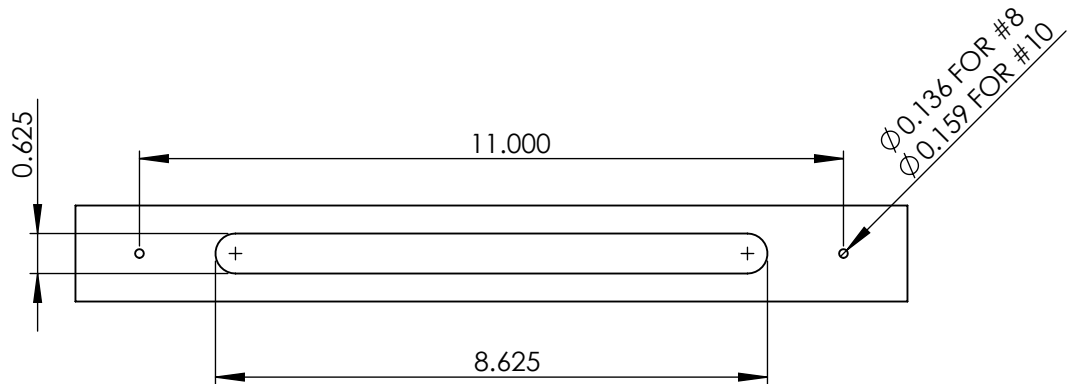
ROTO FASCO CANADA INC.
 MULTI POINT LATCH ASS'Y
 MACHINING FOR HOLLOW CORE
 DOORS WITH **TUCK STYLE**
TRIMPLATE CD-809



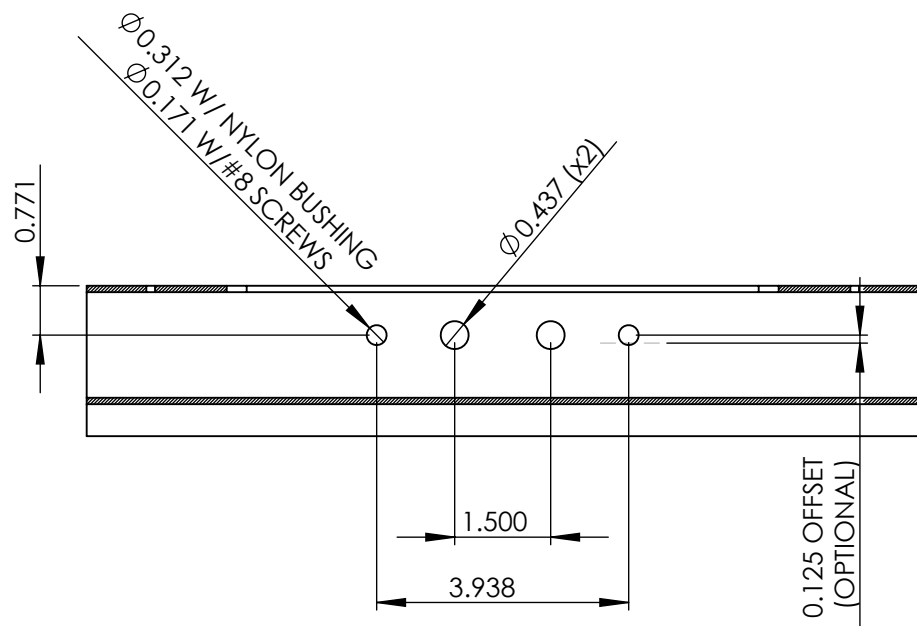
3 HOLE PATTERN

ROTO FASCO CANADA INC.

MULTI POINT LATCH ASS'Y
 MACHINING FOR HOLLOW CORE
 DOORS WITH **TUCK STYLE**
TRIMPLATE CD-809 FOR 9100
SERIES HANDLE



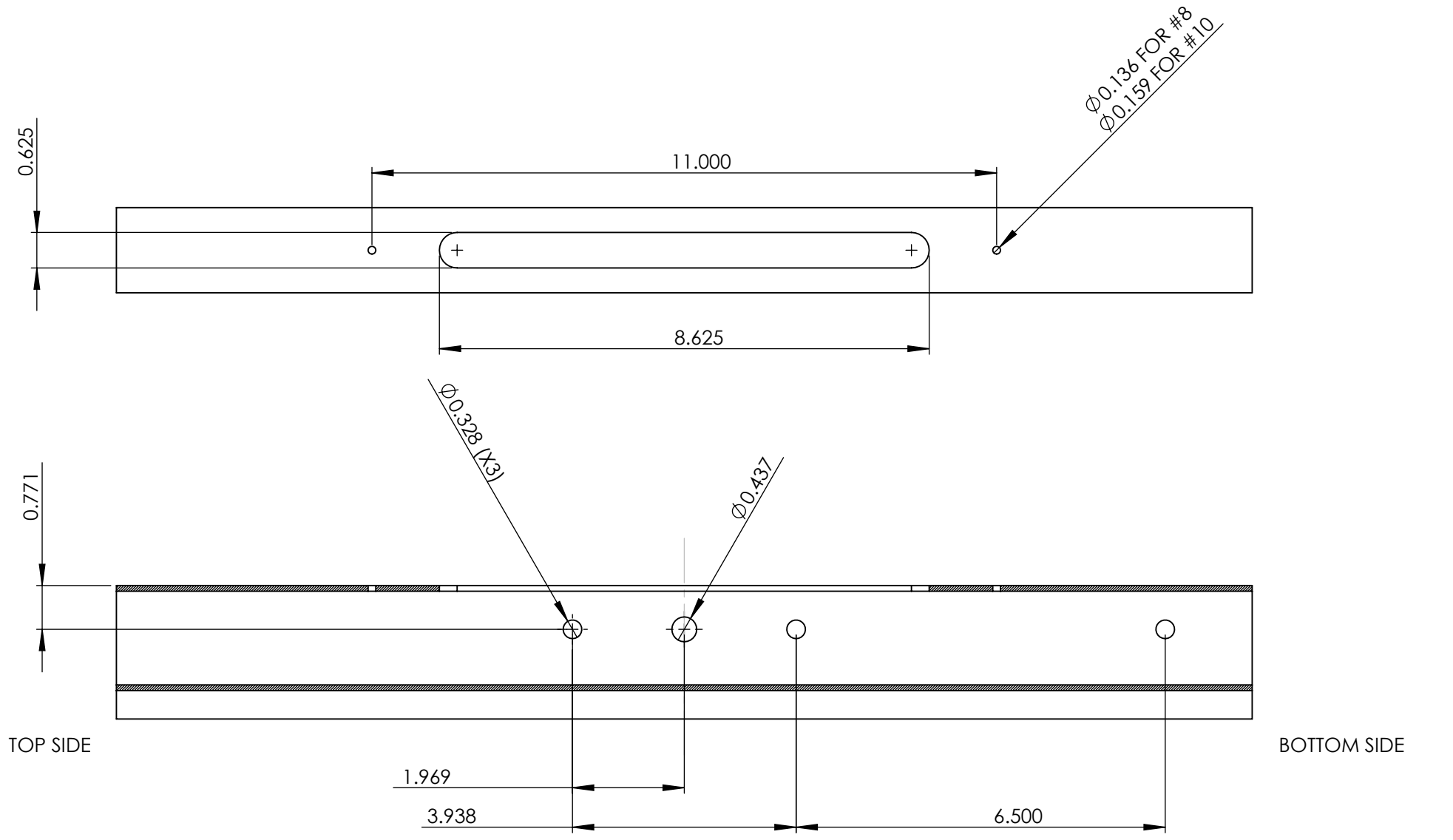
3 HOLE PATTERN



4 HOLE PATTERN

ROTO FASCO CANADA INC.

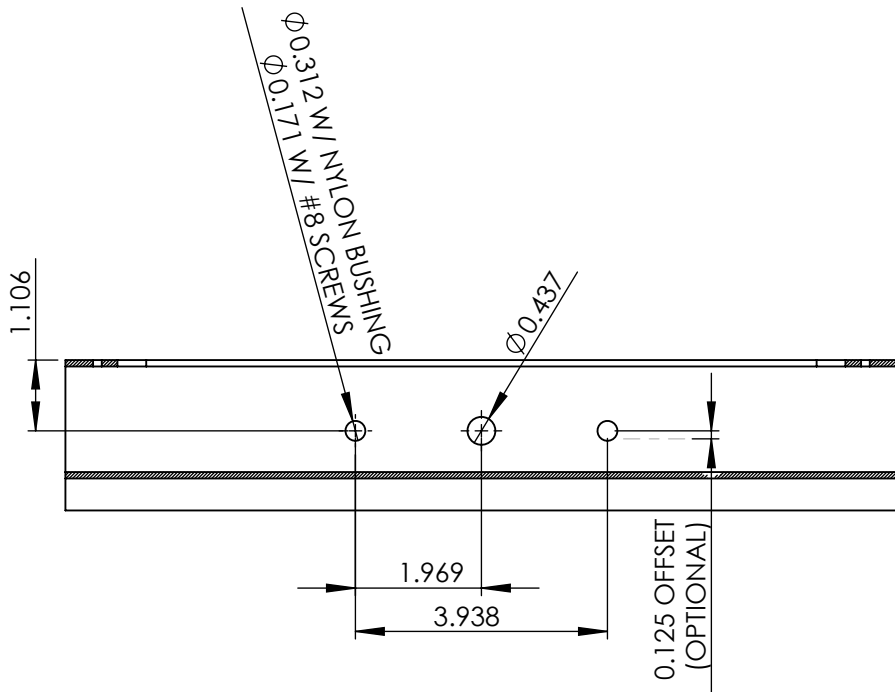
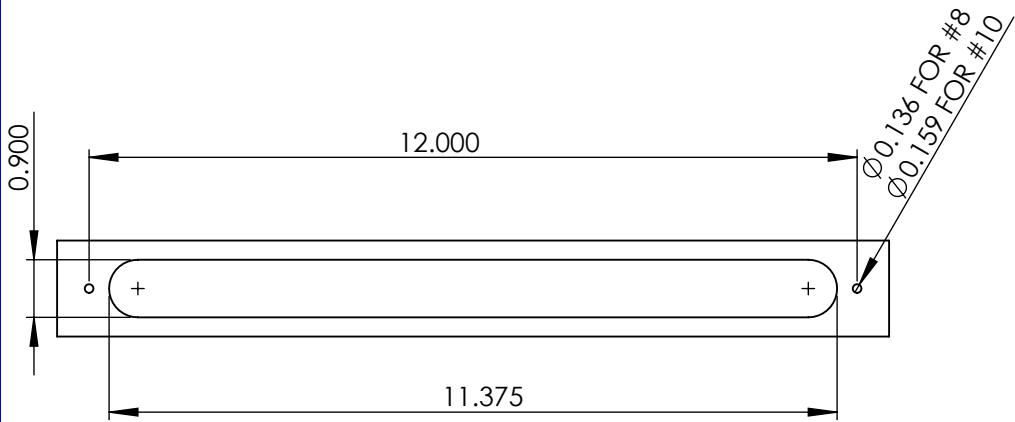
MULTI POINT LATCH ASS'Y
MACHINING FOR HOLLOW CORE
DOORS WITH **FLAT TRIMPLATE**
M0201XX



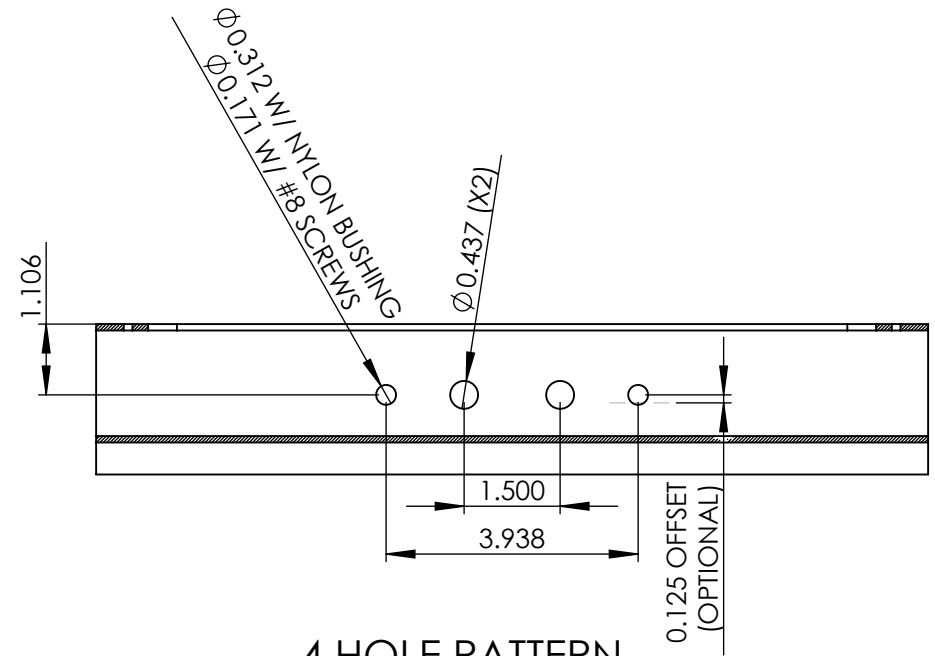
NOTE: EXTERIOR SIDE SHOWN

ROTO FASCO CANADA INC.

MULTI POINT LATCH ASS'Y
 MACHINING FOR HOLLOW CORE
 DOORS WITH **FLAT TRIMPLATE**
M0201XX FOR 9100 SERIES HANDLES



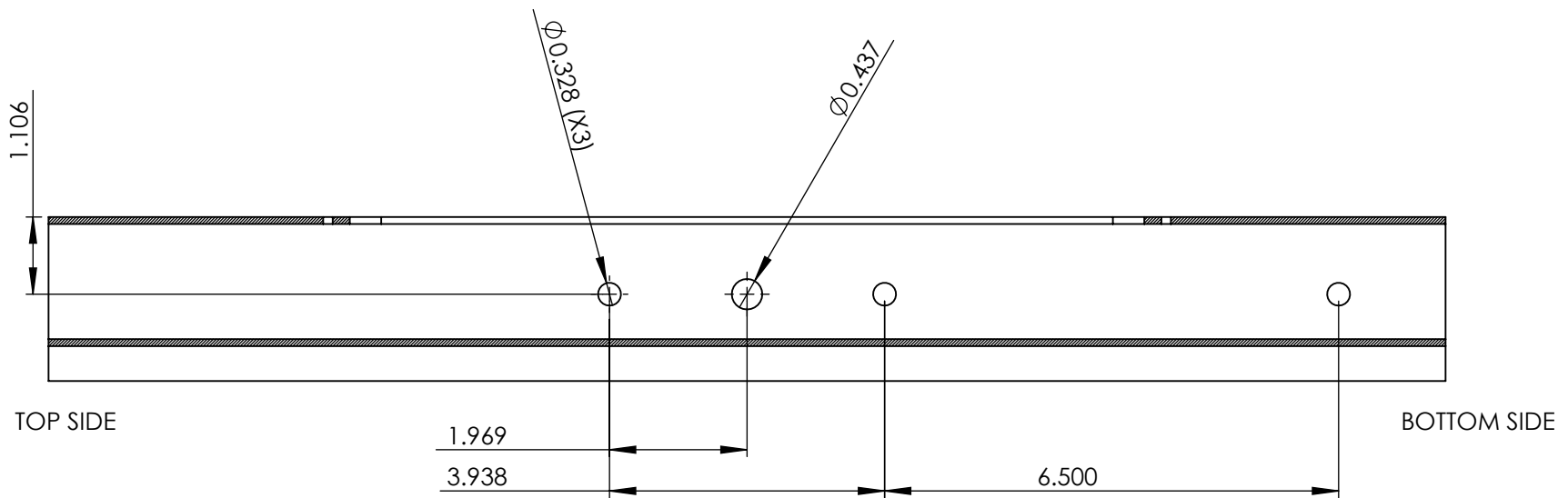
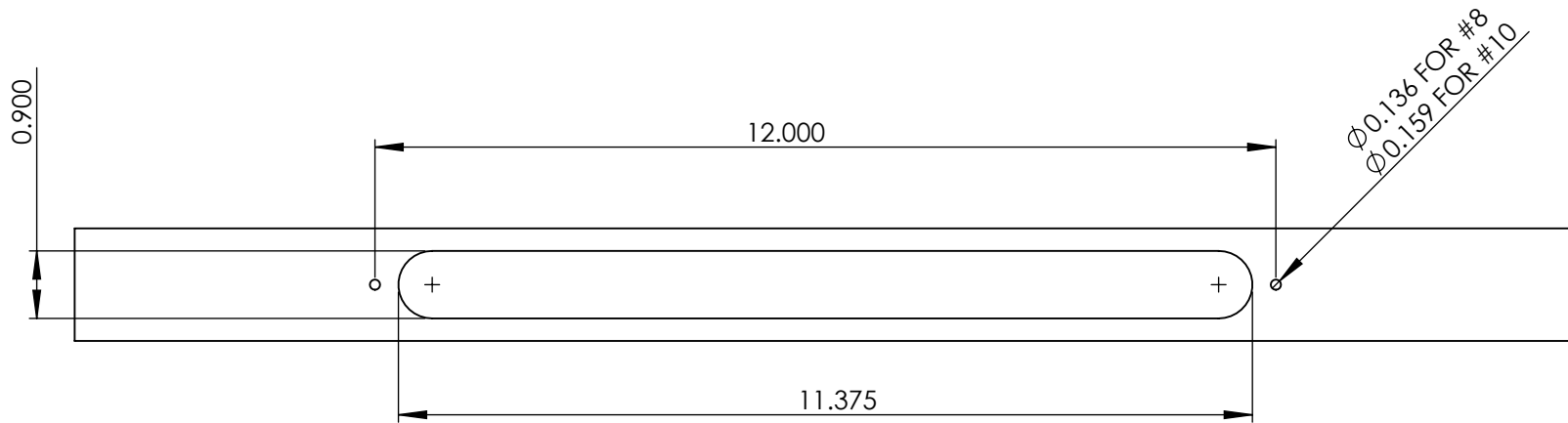
3 HOLE PATTERN



4 HOLE PATTERN

ROTO FASCO CANADA INC.

MULTI POINT LATCH ASS'Y
 MACHINING FOR HOLLOW CORE
 DOORS WITH **CUP TRIMPLATE**
9080757



NOTE: EXTERIOR SIDE SHOWN

ROTO FASCO CANADA INC.

MULTI POINT LATCH ASS'Y
 MACHINING FOR HOLLOW CORE
 DOORS WITH **CUP TRIMPLATE**
9080757 FOR 9100 SERIES HANDLES