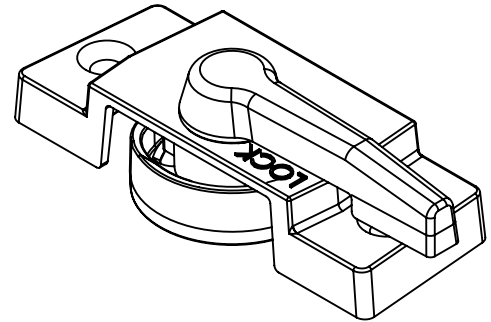


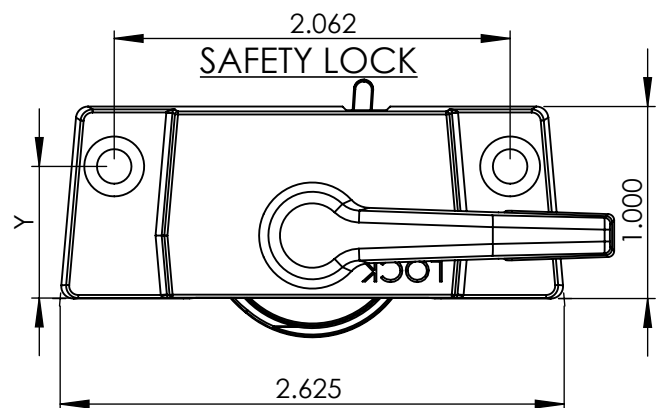
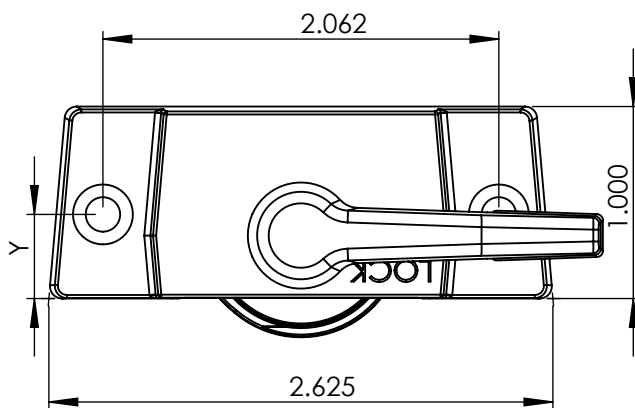
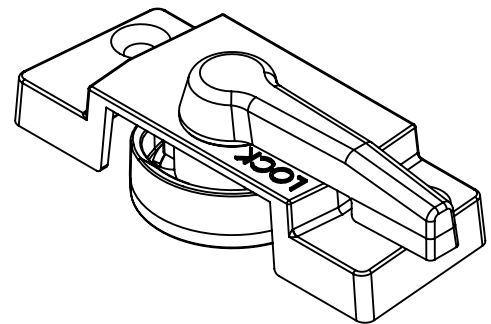
# 8700 SERIES SASH LOCK

- STURDY ZINC DIE CAST CONSTRUCTION.
- AVAILABLE WITH OR WITHOUT SAFETY LOCK.
- POSITIVE "LOCK/UNLOCK" POSITIONS.
- CHOICE OF MOUNTING HOLE LOCATIONS.
- DURABLE POWDER COATED FINISH.
- STANDARD COLOR IS WHITE.
- OTHER COLORS AVAILABLE.



## SAFETY LOCK FEATURES:

- ENGAGES AUTOMATICALLY WHEN LEVER IS PUT IN LOCK POSITION.
- EASY ONE HAND OPERATION.
- PUSH BUTTON TO RELEASE.

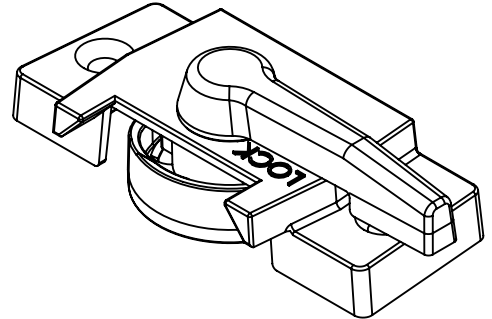


HOLE LOCATION	PART NO
Y	
0.437	08701A
0.687	08701B

HOLE LOCATION	PART NO
Y	
0.437	08701AL
0.687	08701BL

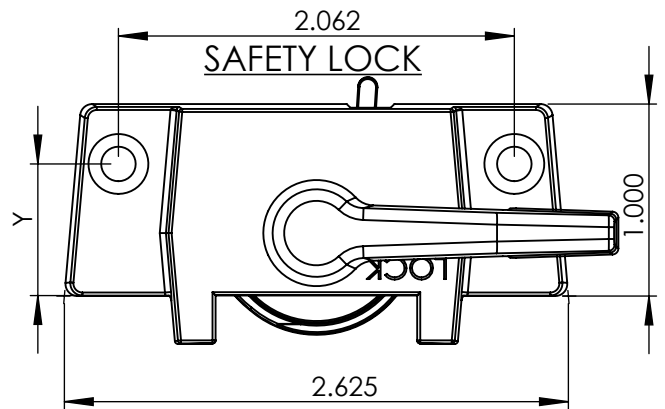
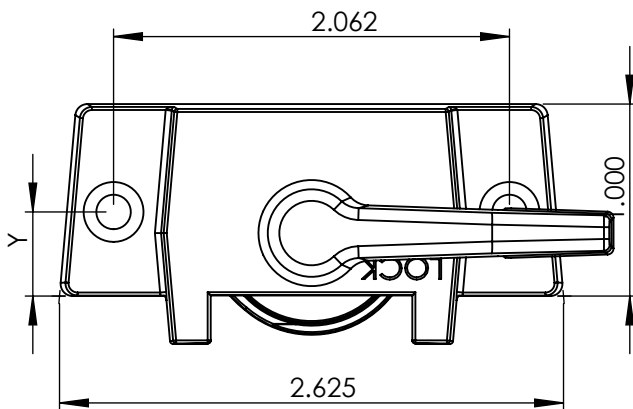
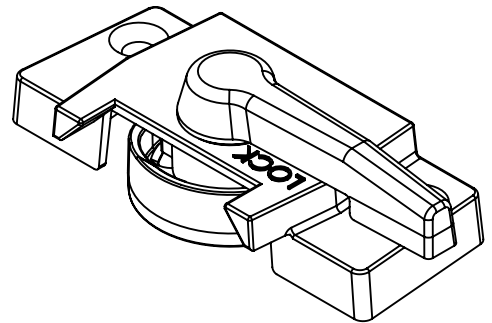
# 8700G SERIES GUIDED SASH LOCK

- STURDY ZINC DIE CAST CONSTRUCTION.
- AVAILABLE WITH OR WITHOUT SAFETY LOCK.
- POSITIVE "LOCK/UNLOCK" POSITIONS.
- CHOICE OF MOUNTING HOLE LOCATIONS.
- EXTENSION ARMS ALIGN LOCK TO KEEPER PERFECTLY AND PROVIDES ADDITIONAL SECURITY.
- DURABLE POWDER COATED FINISH.
- STANDARD COLOR IS WHITE.
- OTHER COLORS AVAILABLE.



## SAFETY LOCK FEATURES:

- ENGAGES AUTOMATICALLY WHEN LEVER IS PUT IN LOCK POSITION.
- EASY ONE HAND OPERATION.
- PUSH BUTTON TO RELEASE.



HOLE LOCATION	PART NO
Y	
0.437	08701AG
0.687	08701BG

HOLE LOCATION	PART NO
Y	
0.437	08701AGL
0.687	08701BGL