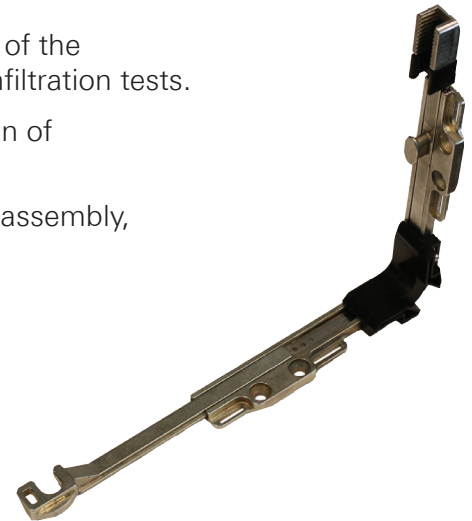


## X-DRIVE Evolve Casement Corner Drive

### LB11 Corner Drive

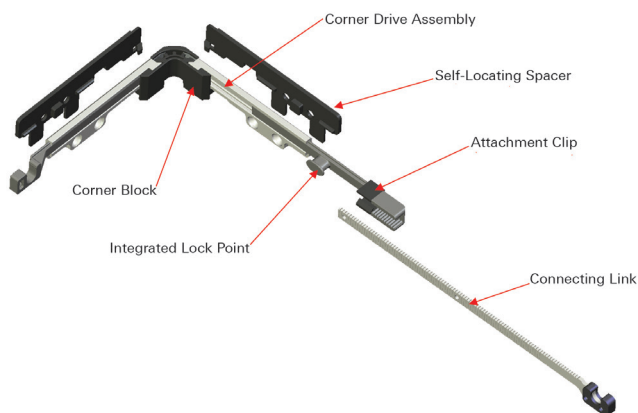
- The Roto LB11 Corner Drive system is an innovative product that offers enhanced security and superior performance\* through an integrated lock point positioned 3" from the corner and secured to the window frame.
- Ensures consistent locking at the top corner of the window, regardless of the window height. This is typically the weakest area in structural and air infiltration tests.
- The unique, modular design (Patent Pending) allows for easy connection of additional locking points to the top and/or hinge side of the window.
- The LB11 Corner Drive connects directly to Roto's LB06/LB08 lock bar assembly, requiring minimal additional parts.
- Cycle tested to meet over 8,000 cycles with an applied load equivalent to a lock handle force of over 25lbs.
- The integrated lock point is capable of supporting 400 lbs in load tests.
- Additional lock points confirmed to improve structural performance from DP65 to over DP85.\*

\*Results are based on tests conducted at Roto Frank and independent, third-party tests on vinyl windows. Specific performance should be confirmed with your exact profile.



### Corner Drive Components:

1. **Corner Frame Assembly** – transmits the lockbar actuation force around the corner of the window frame (opposite hinge side of window)
  - Zinc frame and slide components with stainless steel corner bands
  - Integrated Lock point for consistent upper corner sash lock locations
  - Silver Anodized Plating that outperforms yellow zinc dichromate



- Low friction acetal corner block
- Available in LH and RH versions for window handing (A&B)

2. **Self-Locating Spacers** – use as required to provide self-locating feature

3. **Connecting Link** – Croppable stainless steel link allows adjustment for variable window heights and widths; serrated marks to assist with cropping/cutting to length



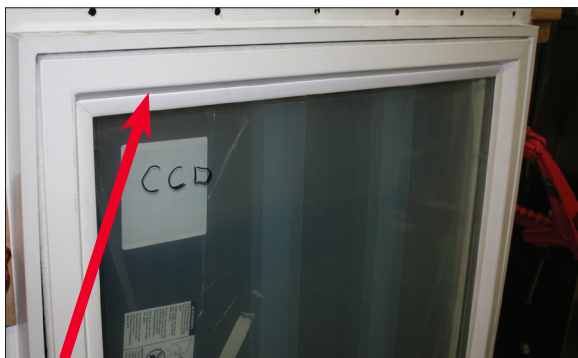
**X-DRIVE Evolve: Casement Corner Drive**

**Roto LB11  
Casement Window  
Corner Drive**

Vinyl window with no structural support attained a DP85 window system rating at an AAMA-verified third party independent lab.



Window without Casement Corner Drive:  
Noticeable separation in the top corner of the window at DP75



Same window WITH the Roto LB11 Casement Corner Drive:  
The top corner of the window shows minimal deflection at DP85