



## X-DRIVE Evolve: OP08 Operators

Roto North America is excited to introduce their NEW X-DRIVE Evolve OP08 Operators that offer an egress solution. Customers can now use a split arm operator in egress applications. In addition, the increased length of the connect arm provides a better mechanical advantage, which results in easier operation. The operators allow for an easy conversion from a standard washability hinge window as only the hinge arms need to be swapped out. In addition, the use of a single arm operator is no longer necessary, reducing SKU's and eliminating a different route location.

### Egress Solution

- You can convert a window with washability hinges to egress hinges without requiring a different operator route location
- Elimination of the need to use Single-Arm operator application making manufacturing and installation process more efficient and streamlined
- Elimination of Single Arm operators reducing inventory - part numbers

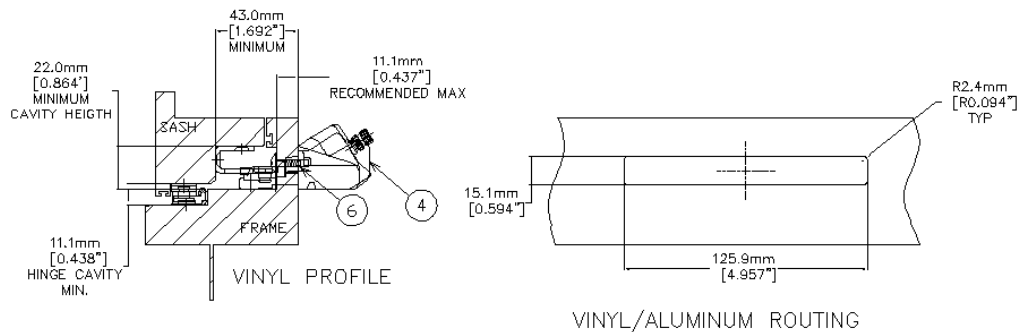
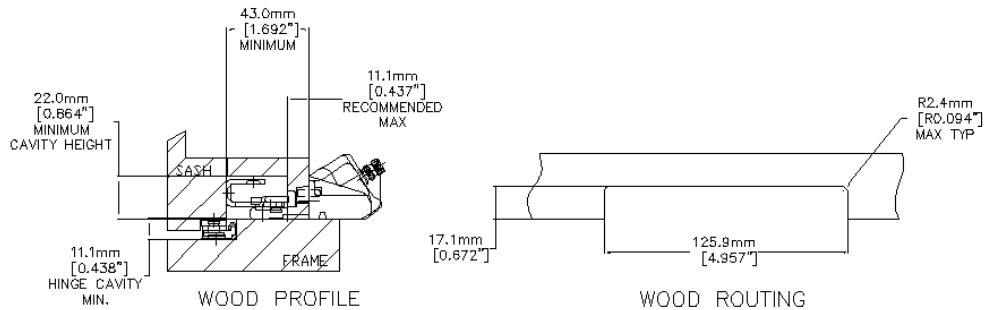
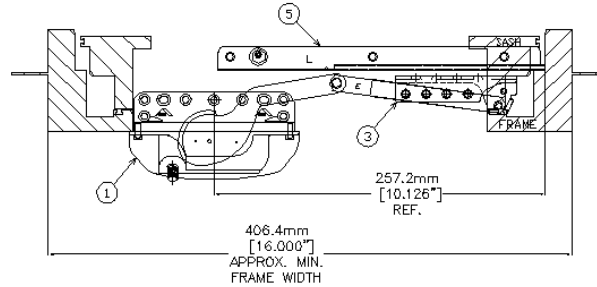
### Operational Improvement

- New system provides improved mechanical advantage resulting in a reduced handle force when operating the window

Part Number	Old Part Number	Description	Box Qty
836097	OP08-7648	OP08 CRS LH NARROW DUAL ARM E OPERATOR	20
836098	OP08-7649	OP08 CRS RH NARROW DUAL ARM E OPERATOR	20
836099	OP08-7650	OP08 SS LH NARROW DUAL ARM E OPERATOR	20
836100	OP08-7651	OP08 SS RH NARROW DUAL ARM E OPERATOR	20
836101	OP08-7652	OP08 CRS LH SPLIT ARM E OPERATOR	40
836102	OP08-7653	OP08 CRS RH SPLIT ARM E OPERATOR	40
836103	OP08-7654	OP08 SS LH SPLIT ARM E OPERATOR	40
836104	OP08-7655	OP08 SS RH SPLIT ARM E OPERATOR	40
836105	OP08-7674	OP08 CRS LH DUAL ARM E OPERATOR	20
836106	OP08-7675	OP08 CRS RH DUAL ARM E OPERATOR	20
836107	OP08-7676	OP08 SS LH DUAL ARM E OPERATOR	20
836108	OP08-7677	OP08 SS RH DUAL ARM E OPERATOR	20
836109	OP08-7678	OP08 CRS LH HD DUAL ARM E OPERATOR	20
836110	OP08-7679	OP08 CRS RH HD DUAL ARM E OPERATOR	20
836111	OP08-7680	OP08 SS LH HD DUAL ARM E OPERATOR	20
836112	OP08-7681	OP08 SS RH HD DUAL ARM E OPERATOR	20
835113	OP05-8043	SASH BRKT, 30MM OVERHEAD DUAL FIX,LH CRS	300
835114	OP05-8044	SASH BRKT, 30MM OVERHEAD DUAL FIX,RH CRS	300
835235	OP05-8045	SASH BRKT, 30MM OVERHEAD DUAL FIX,LH SS	300
835236	OP05-8046	SASH BRKT, 30MM OVERHEAD DUAL FIX,RH SS	300

## X-DRIVE Evolve: OP08 Operators

### ROTO X-DRIVE OP08E SPLIT ARM OPERATOR



#	PART DESCRIPTION	REFERENCE PAGE	QTY
1	DP08 SP OPERATOR	PAGE XXX	1
2	-	-	-
3	OPERATOR/SASH BRACKET	PAGE XXX	1
4	DP08 HANDLE/COVER KIT	PAGE XXX	1
5	HGG6 HINGE HARDWARE	PAGE XXX	SEE INFO
6	DP FRAME MOUNT SCREW	PAGE XXX	2
NDT SHOWN HARDWARE/OPTIONAL HARDWARE			
7	OPERATOR GASKET	PAGE XXX	1
8	SASH LIFT	PAGE XXX	1

**NOTES:**

- LEFT HAND OPERATOR AND SASH BRACKET SHOWN.
- HORIZONTAL MOUNT SCREW NOT USED IN WOOD PROFILE
- OPERATOR FOLDING HANDLE NOT SHOWN
- ROTO ENGINEERING TO DETERMINE HARDWARE LOCATION BASED ON REQUESTED CASEMENT PROFILE
- OPERATOR CAN BE USED WITH ALL HINGE VARIANTS INCLUDING EGRESS