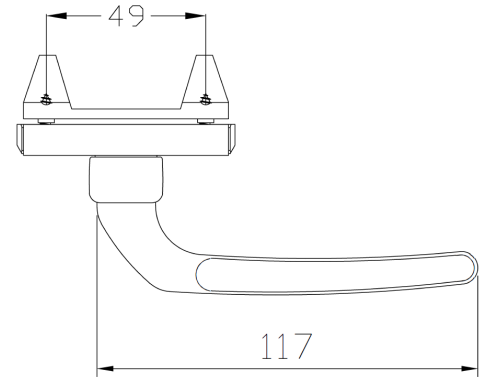


Roto Push-out Casement Handles and Kempton 4-bar Hinges

Roto North America is excited to extend our line of Push-out Casement handles. Suited for aluminum profiles, these handles pair well with our Kempton 4-bar hinges to provide a complete push-out casement hardware package. This line of handles accommodates both front and bottom fixing with several styles available in a white, black or silver finish.

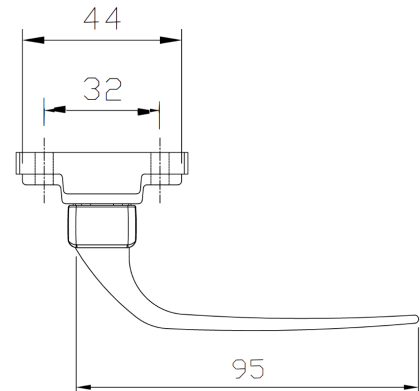
FMA119P

- Ideal for use in larger applications
- Facemount application
- Integrated plastic handle grip for ease of use



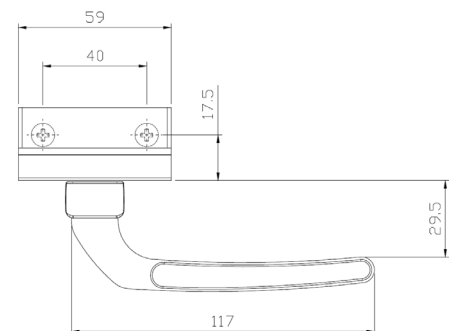
FMA132P

- Ideal for use in smaller applications
- Facemount application
- Sleek and modern aesthetic handle



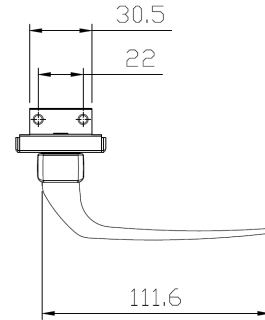
FMA03P

- Surface mount application
- Armoni handle designed with greater comfort in mind
- Easy to adjust screw covers provides a cleaner look



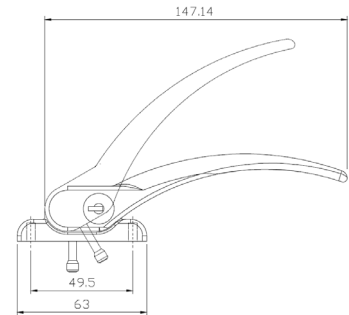
FMA16P

- Can be used for both small and large applications
- Surface mount application
- Sleek and modern aesthetic handle



FMA133P

- 24mm Locking pin
- Surface mount application
- Striker application within frame cavity for a seamless look
- Smooth handle lift operation vs. a traditional 90-degree rotation



FMA62P

- Surface mount application
- Sleek, modern aesthetic handle
- Easy to adjust screw covers provides a cleaner look

