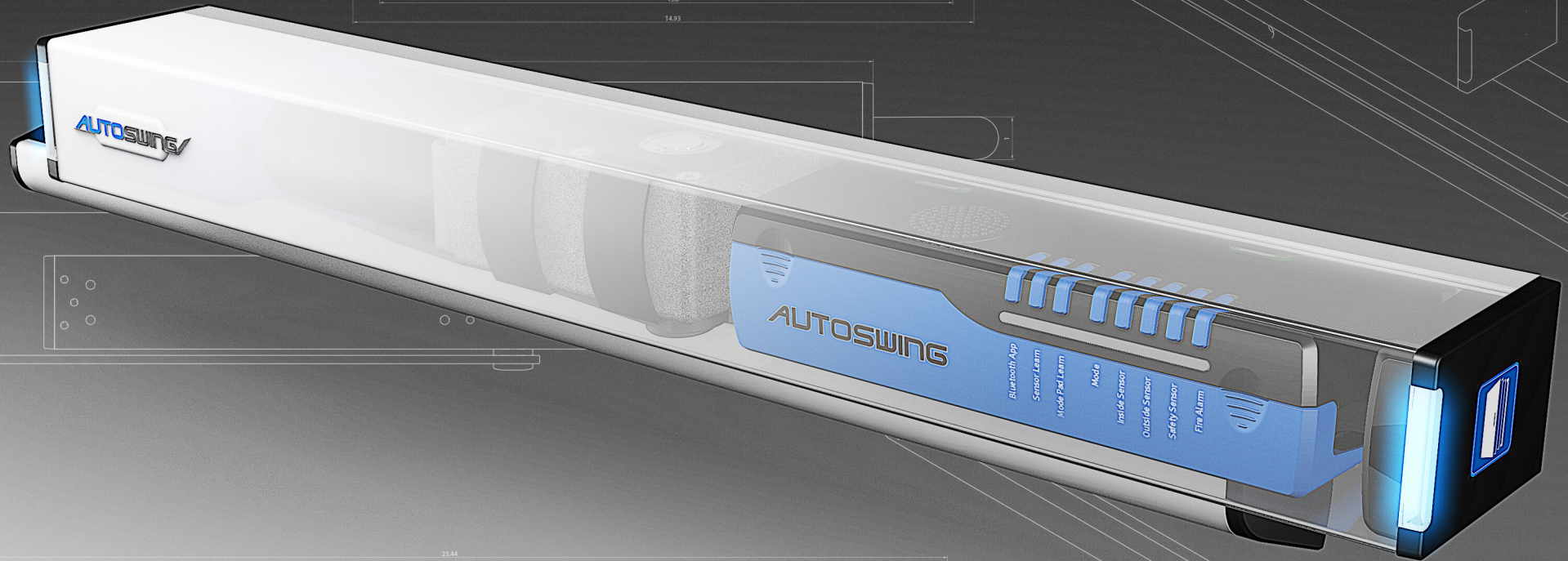




AUTOSWING
TOUCHLESS ENTRY



THE NEW STANDARD FOR
SWING DOOR AUTOMATION

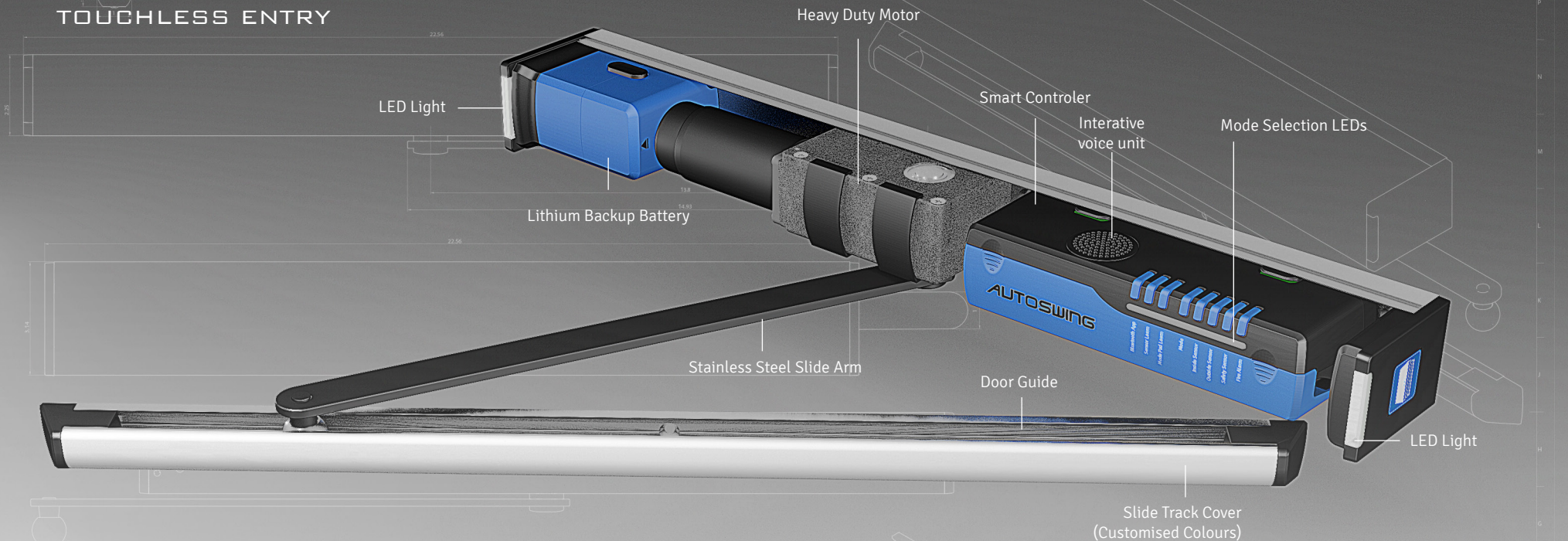
www.autoslide.com



Proudly fully designed and assembled In Australia

AUTOSWING

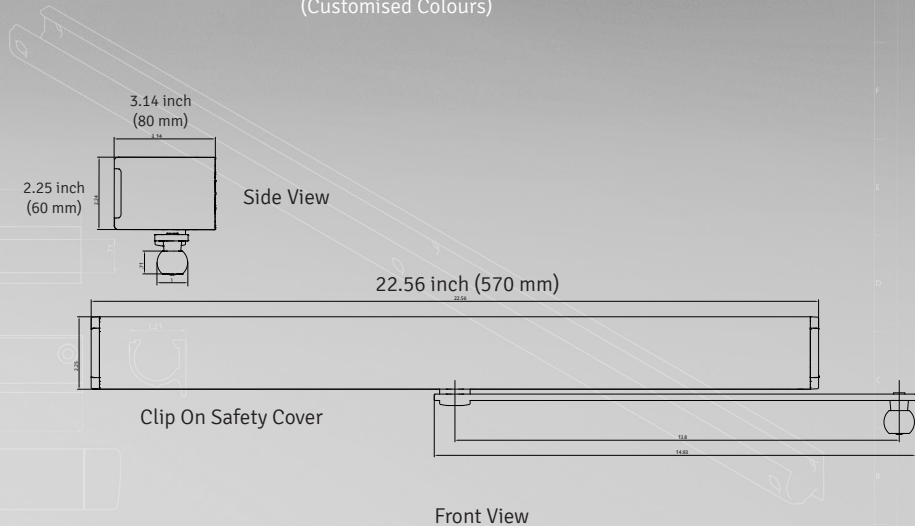
TOUCHLESS ENTRY



THE AUTOSWING AUTOMATIC DOOR OPERATOR OFFERS THE HIGHEST STANDARD OF PERFORMANCE INSIDE A COMPACT DESIGN.

The low height of only 2.25 inches allows the AutoSwing Operator to be fitted to a door's header.

The system comes with both push arm and slide arm configurations. Combining these design features along with the whisper quiet operation of the mechanism, your doorway transforms seamlessly from manual to automatic operation.

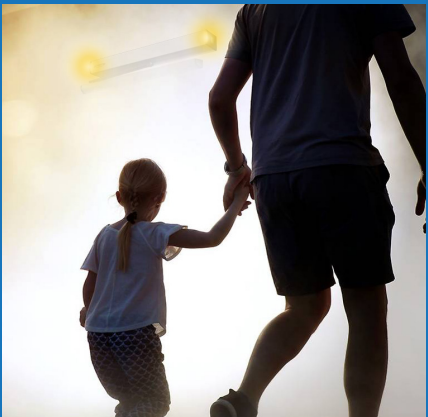


AutoSwing		REV	1 / 1
DATE	05/18/21	BY	E
SCALE	1:1	APP	E

AUTOSWING FEATURES

- Modulated components in slim-line housing
- Heavy-duty 24V motor
- 265 lb. (120 kg.) maximum door weight
- Integrates with Smart Locks
- Bluetooth app for Android and iOS devices with available AutoPlus gateway for control while away from home or the office
- Convert French style patio doors into an automatic pet door
- Endcaps with LED indicator lights
- Ingrates with third-party electric strikes and mag locks
- Four available modes: Unsecure, Hold Open, Secure, and Pet
- Can be paired with the Privacy Package to create a touchless entry/exit for bathrooms and fitting rooms
- Comes standard with two wall buttons
- Additional controls available include motion sensors, remote control, keypad, handwave sensor, & RFID proximity tags

BUILT-IN FIRE ALARM INTEGRATION

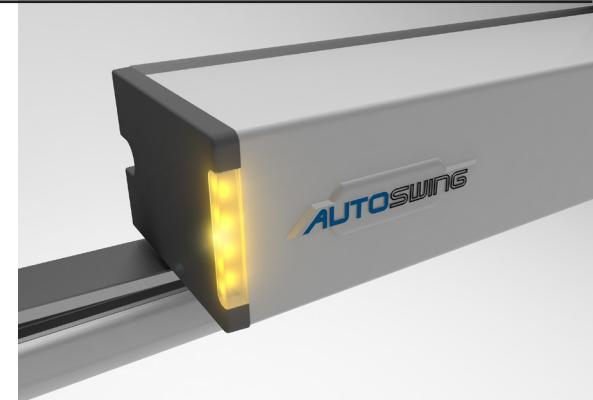


AutoSwing can be integrated with a fire alarm system to allow emergency egress. Once the alarm is triggered, AutoSwing will automatically open the door and begin flashing an amber colored light from the endcap's LEDs.

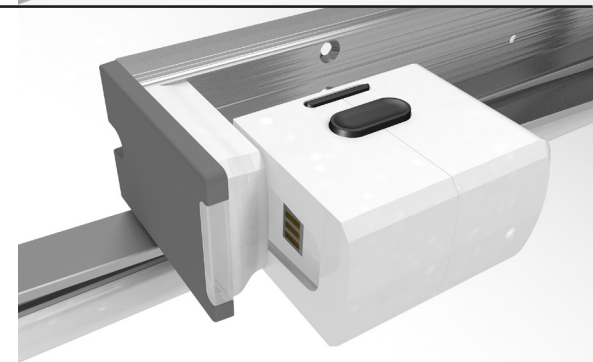
DESIGN HIGHLIGHTS

The endcaps contain LED Indicator lights that display the current mode of the AutoSwing system.

These can be turned On or Off, depending on preference.

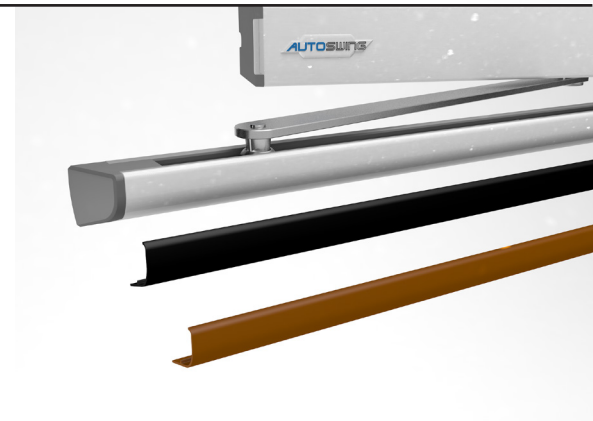


A compact backup Lithium battery is contained in the AutoSwing housing and allows the system to have a power source even when you home loses power for up to five days. The trickle charge feature prevents you from having to remove the battery for a re-charge.



The door guide has two removable end clips that hold the cover in place.

This cover can be removed to allow it to be custom powder coated to match your door's color profile.

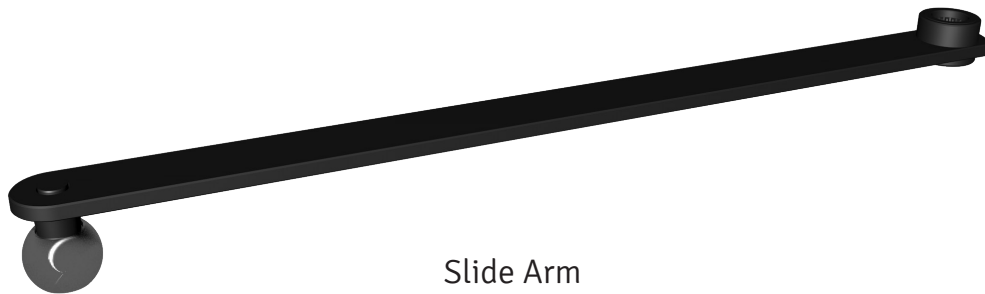


OPERATIONAL METHODS

The AutoSwing system comes with two operational methods, a slide arm and a push arm. Both sets of hardware are made from stainless steel grade materials, providing a reliable and heavy-duty performance.



Push Arm



Slide Arm

APPLICATIONS

Push Arm: allows the door to open outward

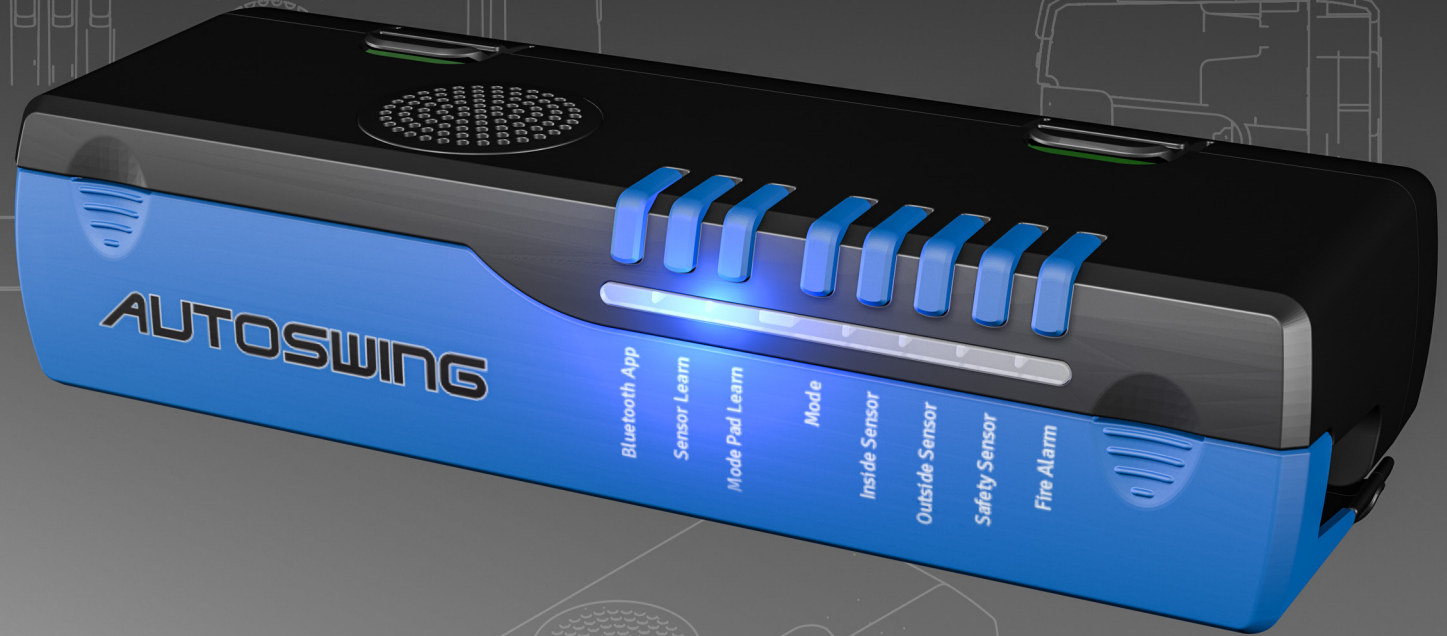


Slide Arm: allows the door to open inward



Door Mount:
AutoSwing can be mounted on the door to overcome narrow frames





ADVANCED STATE OF THE ART PROCESSING UNIT

Autoswing main processing unit is the most advanced on the market.

- Smart Automatic Upgradbale Solution (SAUS)
- RS-485 PORT: Smart home integration control with built in KNX software
- FIRE ALARM PORT: For external fire alarm integration
- Built-in Bluetooth Technology
- Wireless Mode Pad Controler
- LOCK INPUTS: For smart lock integration
- Customizable Optional Settings
- Integrated speaker for multiple voice notifications

INTEGRATION WITH SMART HOME DEVICES



Autoswing is integrated with major smart home devices like Alexa and Apple home. You can activate your door system is activated remotely and by voice activation.

With Autoslide App, open and close your doors quickly. Monitor your door status inside and outside your home.



**COMPATIBLE WITH GOOGLE,
ALEXA AND OTHERS!**

TOTAL HOME ACCESS SOLUTIONS

INTEGRATED WITH SMART LOCKS
Autoswing integrates with most smart locks.

Now you can get all the benefits of a smart lock and still maintain the design integrity of your home. Use your phone to lock and unlock your door, share access, and always know who's coming and going.

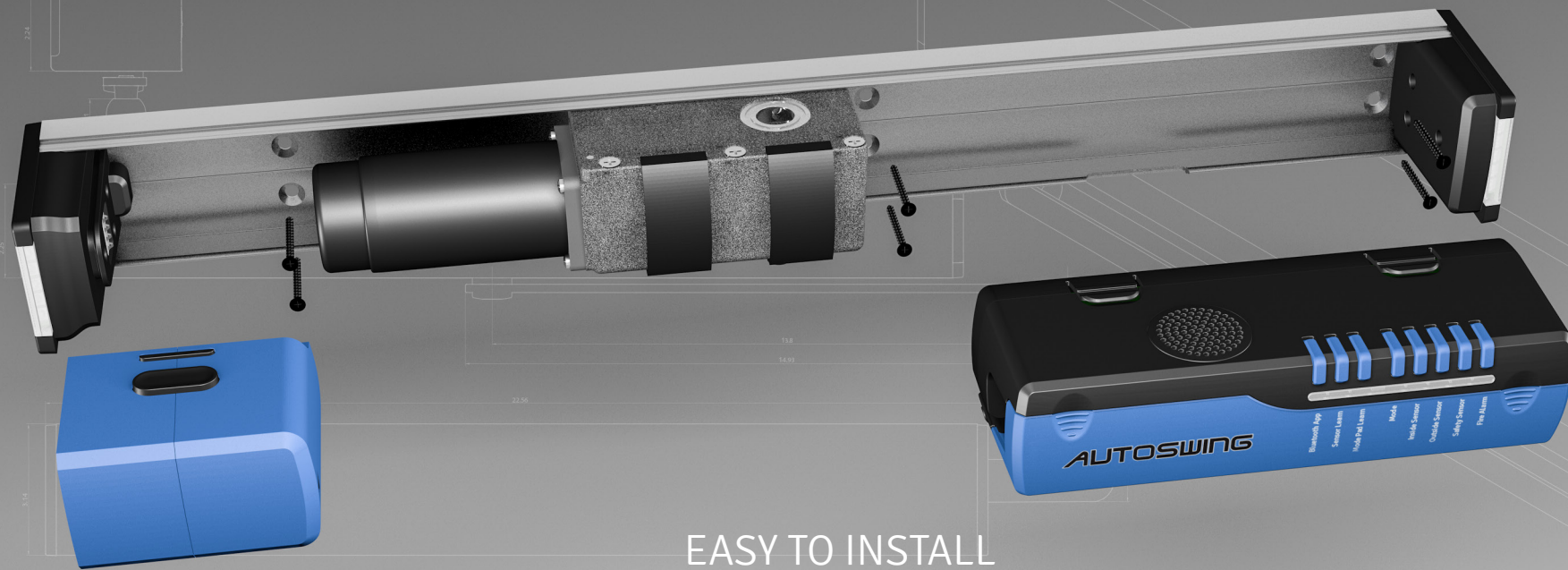


- Grant or deny access from the APP
- Sensor is activated as people approach.
- Open, close, lock and more with a simple tap on your iOS or Android phone.
- 24/7 motion sensor sends alerts to your phone when anyone approaches your sliding doors.



Pet mode lets you grant or deny your pet's automatic access. No need for costly, unsightly pet doors. Adjustable sensor, customizable for your pet's size. Door activation via motion sensor, doormat sensor or a smart pet tag for your pet's collar. Save on air-conditioning costs by having your doors close automatically.





EASY TO INSTALL

The main processing unit and the rechargeable battery can be easily removed and clip back on to access the fixation holes.

TECHNICAL SPECIFICATIONS

Operator type	Autoswing
Door opening width	47' (1200 mm)
Door weight	264.56 lb (up to 120 Kg)
Power input	240V/110V 50Hz (+10%, -15%)
Auxiliary voltage	24 VDC @220mA
SPDT relay output for controlling electric-strikes or electric locks not to exceed 2A 24 VDC	
Opening time	2.5 Seconds
Closing time	3.5 Seconds
Hold open time	60 Seconds (Adjustable)

Ambient temperature	68 °F / 20 °C
Drive weight unit	7 lb (3 Kg)
Complies with:	UL/FFC
Electro-mechanical locking integration	Mag Lock, Electric Latch, Land Lock, Kevo, Level.
Manufactured in an ISO 9001 and ISO 14001 certified facility	
Safety Protocol	Inputs for open and close safety sensors.
Communication Protocols	Bluetooth, RS485, Control 4, APP
Lithium Battery Backup	33V / 3.1Ah

WIDE RANGE OF ACCESSORIES

Electric locking

High security electric locking can be integrated with existing smart locking system.

Hand-wave Sensor

Wall mounted touchless sensor can be used to open doors via radio transmission or hard wired.

Wireless Numeric Keypad

Digital keypads allows access to people whilst the doors are locked.

Wireless Remote Control

Hand held remote controls can open and close doors plus secure them locked and change all different modes.

Activation Sensors

Microwave adjustable sensor with motion detection for door activation.

Safety Sensors

Overhead mounted safety infrared sensor, which can detect any obstruction to the door while opening or closing. (Available in hard wired and wireless).

RFID

Smart Pendant RFID transmitter (Creditcard RFID), attached to a keyring or mounted to a wheelchair activate the Autoswing Operating system up to three meters, no action required, giving limited and easy access to users.

Lithium Battery UPS

State of the art Lithium battery maintains a higher voltage recharge rate and low loss ratio by comparison to lead-acid or alkaline batteries thus producing four times the performance with longer user life in a smaller and lighter product.

The specially designed battery housing makes it easy to remove for recharging.



AUTOSWING
TOUCHLESS ENTRY

For more information visit
autoslide.com