

Roto Inside

Customer and partner information | Issue no. 58 | 04/2025

Navigate content interactively



Roto Patio Inline | SR
at BAU 2025
Strength meets flexibility

[↗ click here](#)



Roto Glas-Tec
Hot topic of glazing

[↗ click here](#)



In conversation
An interview with Marcus Sander, CEO of Roto Frank Fenster- und Türtechnologie GmbH

[↗ click here](#)



Access Window
and Door Group, Canada
**For energy efficiency
and sustainability**

[↗ click here](#)



Floor door seals
from Deventer
**Best performance for
exterior and interior doors**

[↗ click here](#)



Ensure quality
with tested glazing blocks
**Certified material
compatibility**

[↗ click here](#)



A look back at the
BAU 2025 trade show
**The #perfectmatch for
windows, sliding elements
and doors**

[↗ click here](#)



Viking Window, Estonia
**Sliding windows
and doors: "Here to stay"**

[↗ click here](#)



New: turn restrictors
for aluminium doors
**The elegant alternative
to a door stop**

[↗ click here](#)



Roto NX | C
concealed hinge side
**Efficient installation,
versatile design**

[↗ click here](#)



Concealed hardware
for aluminium windows
**Three hinge sides in the
Roto AL Designo | STS range**

[↗ click here](#)

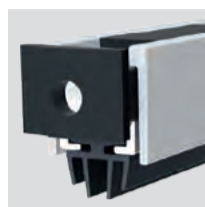


Easy to install and efficient
**Identical parts for Roto NX
and Roto Patio Alversa**

[↗ click here](#)

Roto Inside

Customer and partner information | Issue no. 58 | 04/2025



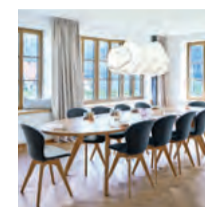
■ **Seals**
Floor door seals
Deventer: best performance for exterior and interior doors
Page 3



■ **BAU 2025**
A look back on the trade show with a focus on Roto products
The #perfectmatch for windows, doors and sliding elements
Pages 4 to 7



■ **Roto Glas-Tec**
Material compatibility
Certified: ensure quality with tested glazing blocks
Page 9



■ **Tilt&Turn**
Concealed hinge side
Roto NX | C: efficient installation, versatile design
Page 11

Roto Patio Inline | SR at BAU 2025

Strength meets flexibility



■ **Sliding** Presented to the expert audience at BAU 2025: the new stable and robust Roto Patio Inline | SR for aluminium Parallel Sliding systems can be flexibly configured. It was designed for very slim profiles and offers many adjustment options, such as a preassembled, adjustable mishandling device.

With Roto Patio Inline | SR, you can produce aluminium sliding elements up to a height of 3000 mm and a width of 2000 mm with sash weights of up to 200 kg. The hardware product range includes a total of three espagnolette versions. All of these provide a high level of basic security. How do they achieve this? Patio Inline | SR boasts a push-back safeguard including an anti-jemmy device. This prevents tampering in the form of jemmying or pushing the hook back.

Stable, robust and easy to adjust

The espagnolettes feature a robust steel hook for high stability and strength. This hook boasts exceptional pull-out strength. A compact powerhouse! The espagnolette support integrated into Patio Inline | SR prevents the gearbox from deforming when being screwed into place.

A sliding element with Patio Inline | SR is easy to install and adjust. Various adjustment options make it possible to easily compensate for construction tolerances due to thermal influences in the event of warping. To make a sliding element easy to adapt, the hook above the gearbox can be adjusted from a sash height of 1200 mm and above, while the mishandling device is also adjustable to ensure reliable release in the event of warping.

The height adjustable tandem roller units from the Patio Inline | SR range ensure that sashes



Adjustments made easy: the height of the Roto Patio Inline | SR roller units can be adjusted from +4 mm to -2 mm, while the mishandling device for reliable release can be adjusted from +3 mm to -3 mm. From a sash height of 1200 mm and above, the hook above the gearbox can also be adjusted from +3 mm to -3 mm.



weighing up to 200 kg always move reliably. The hardware product range includes three versions. They are incredibly simple to install and maintain. The rollers in the roller unit are easy to remove. Replacing the rollers does away with the need to change the entire roller unit.

Another important aspect for regions with a variable climate: Patio Inline | SR boasts corrosion protection in accordance with DIN EN 13126. It meets the requirements of class 5, the highest possible rating. What's more, the system has been tested over 20,000 cycles in accordance with long-term functional performance class H3.

Custom configuration

You can choose between:

- A compact espagnolette with single-point lock
- A single-action espagnolette with single- to 4-point lock
- A reverse-action espagnolette with 2- to 4-point lock
- A 5-point lock including an extension

There is also the option to add a lock casing and, from a sash height of 1200 mm and above, one or more centring aids. The position and number of centring aids can be freely chosen.

The benefit of this for you as a fabricator is evident: you are able to flexibly produce sliding elements to meet the security needs of your customers and in many formats.

In conversation



An interview with Marcus Sander, CEO of Roto Frank Fenster- und Türtechnologie GmbH

Roto Inside: Mr Sander, our industry got the year off to a strong start with the BAU trade show in Munich. Was it similarly successful from the perspective of Roto Window and Door Technology?

Marcus Sander: Looking back at BAU, our attendance there was extremely successful. We were particularly pleased about the positive feedback we received from our customers, who repeatedly affirmed that our hardware and seal solutions offer outstanding benefits for users. Against this backdrop, many of our partners outlined the possibility of much closer collaboration in 2025.

Anyone who wasn't able to be there in person has the opportunity to visit our digital Roto City at any time. If our customers are interested in finding out more, our regional specialist advisers are ready to present our products in detail on this virtual consultation platform.

The trade show kick-started many new projects which our international teams are committed to working on. After being able to further extend our customer base last year, we will be continuing on this path in 2025. Our main goal is to constantly further develop the benefits we offer to customers.

Roto Inside: That's a very ambitious goal.

Marcus Sander: It certainly is. We expect global market conditions to remain challenging this year, particularly due to a lack of construction activity and geopolitical uncertainty. Nevertheless, we will keep focusing on customer benefits and will put all our effort into promoting the positive development of our company. Roto has always stood for reliability and we will continue to be guided by this standard in future.

Roto Inside: Could you give us some specific examples of the further optimisation of your product ranges and services?

Marcus Sander: Our extensive expertise in systems plays a crucial role in our success. Around the world we offer products and services which are a perfect fit for our customers and create real added value for them. Our portfolio includes all opening types and frame materials and covers the entire range of window, external door and back door functions. What's more, we offer seals and glazing methods and have therefore been able to establish ourselves as a "perfect match" for window and door manufacturers. As part of this, our seal specialists Deventer and Ultrafab are constantly further expanding their product ranges and strengthening their presence on the market.

And that's not all – complete transparency throughout the entire value chain is incredibly important to us. Our sites around the world are closely linked, meaning that we can ensure uniform, high standards for development, production and quality control. This is essential so that we can guarantee a consistently high product and delivery quality for our customers.

Another crucial element is the link between products and services, which we are constantly strengthening. One example of this is our customer portal, which we are currently rolling out worldwide. This allows our customers to carry out their Roto goods management digitally – regardless of regional opening hours or holidays. Orders are directly incorporated into the planning process at our 18 production plants, ensuring that the delivery performance is as efficient as possible.

At the same time, we are investing more in the use of artificial intelligence in order to further optimise our operational procedures. Our aim is to make operating processes even more efficient and therefore offer our customers even more added value.

Roto Inside: Mr Sander, how important is sustainability at Roto?

Marcus Sander: For Roto, sustainability is more than an objective – it's an integral part of our business strategy. This year, we will continue to develop long-lasting products and use eco-friendly packaging that reduces waste and is easier to recycle. We guarantee ultimate quality and safety. At the same time, we will continue to invest in renewable

energies like photovoltaics, hydropower or biomass. For example, last year we equipped another four sites with additional photovoltaic systems, alongside those already in place. What's more, we put our second biomass plant of 2024 into operation at our headquarters in Leinfelden-Echterdingen. This was following the successful commissioning of the first heating plant of this kind at our Austrian plant in Kalsdorf. These measures, as well as future ones, aim to make our sites independent of external energy providers and to ensure that heat and electricity for in-house use are produced in an environmentally friendly manner.

Our employees are another one of our priorities. Their continuous development is crucial for our success and the success of our customers. With targeted support schemes and training, we offer our employees around the world long-term prospects in an environment where they feel safe and appreciated. This is so that they can effectively perform their role as expert contacts for our customers.

Roto Inside: Have you come up with a specific climate target?

Marcus Sander: The entire Roto Group has set itself a climate target: by 2030, we will reduce our Scope 1 and 2 greenhouse gas emissions by 50% compared to the base year of 2022 – both throughout the group and around the world. This relates to the totality of the energy we produce ourselves at our sites or purchase from energy producers. We are also aiming to reduce our Scope 3 emissions by 25%. These are emissions that occur in upstream and downstream activities in our value chain. With a whole host of targeted measures based on our sustainability strategy, we will therefore also help reduce the carbon footprint of our customers and partners.

I'd like to conclude by underlining the fact that Roto embodies responsible and sustainable corporate management at all levels. We undertake to meet the highest environmental, social and ethical standards in all areas and processes. This commitment is a core element of our company philosophy and is incorporated into our "Code of Conduct". By consistently acting according to these principles and strictly adhering to compliance guidelines, we pave the way towards trusting, long-lasting and successful partnerships with our customers. Together, this is how we create a reliable foundation for long-lasting success and future-orientated growth.

Growth in North America

Tailored to be the best solution for any system

Company The North American continent is another place where Roto as a brand represents quality, reliability and stability. This success is the result of a unique product portfolio consisting of hardware, locks and seals, most of which are produced locally with the rest being imported from Europe.

Roto produces hardware solutions for PVC, aluminium and timber building elements at two locations in North America and for North America. Roto Frank of America, Inc. manufactures its products in Chester (Connecticut), where a sales company was first founded back in 1979. Roto Fasco Canada, Inc. produces its solutions in the Canadian city of Mississauga (Ontario), near Toronto. This is where the Roto Group acquired Fasco Diecast Metals in 2012.

Ultrafab, Inc., one of North America's leading manufacturers of seals, joined the Roto Group in 2023. The company, founded in 1970, has evolved into an established technological leader in the processing of thermoplastic synthetics. Alongside premium brush seals and extruded sealing profiles for building elements, at three locations in the USA Ultrafab also produces special products for applications outside the construction industry.

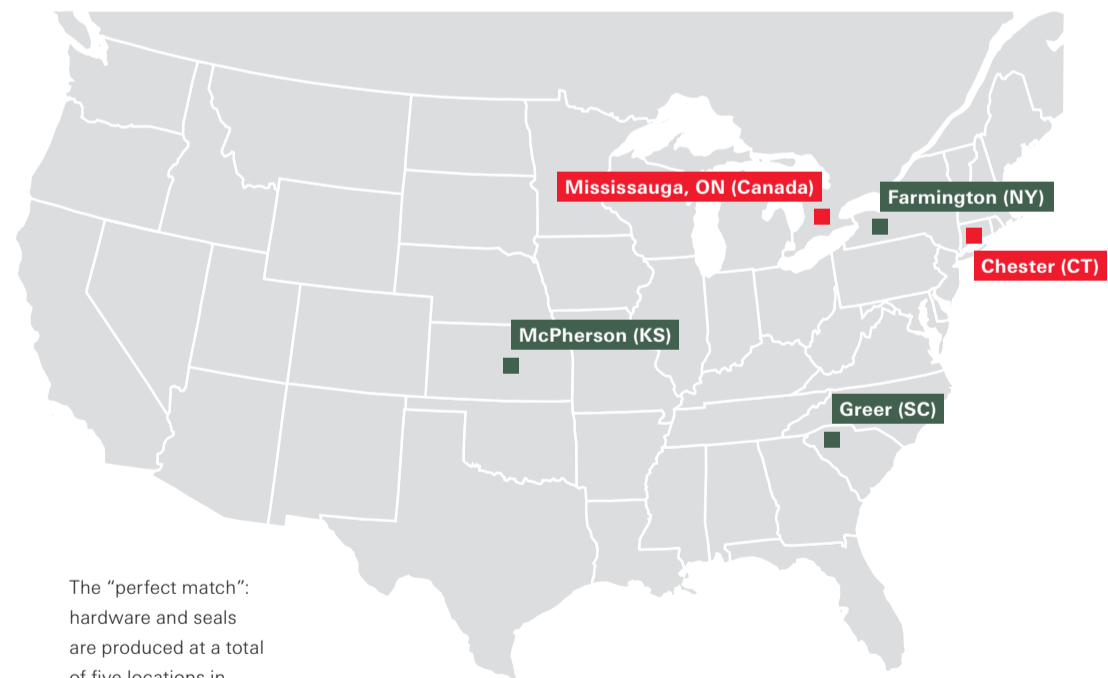
A perfect match

By integrating Ultrafab, Roto has become even more attractive to North-American building element manufacturers. The reason? The "perfect match" between hardware and seals from one provider ensures incredibly durable, secure and tightly sealed windows and doors.

Marcus Sander, CEO of Roto Frank Fenster- und Türtechnologie, emphasises: "At Roto, we focus on the needs of window and door manufacturers. Our experts offer comprehensive support and, if required, perform system tests to ensure that all components are optimally coordinated. This is our way of helping our customers to produce even better windows and doors."

Achieving objectives through variety

Over the past few years, more and more manufacturers on the North American continent have become interested in building elements of the Tilt&Turn and Sliding opening types that are common in Europe. Against this backdrop, the demand for compatible Roto hardware is growing. "This is why, in addition to our production capacities, we are also expanding the local logistics centres in which we can store sufficient quantities of hardware produced in Europe," explains Sander. "Shaping a better future together with customers is and will remain our mission. If one of our customers wants to diversify, we'll be happy to show him the way with our expertise and the extensive range of products available from Roto."



The "perfect match": hardware and seals are produced at a total of five locations in North America.



Member of Roto Group



Welcome to Roto North America
rotonorthamerica.com



Welcome to Ultrafab
ultrafab.com

#perfectmatch

Hardware | Seals | Roto

Floor door seals from Deventer

Best performance for exterior and interior doors

■ **Accessories** At BAU in Munich, Deventer presented its restructured range of floor door seals for doors made from any frame material. This included three interesting solutions for exterior doors with a 12 mm profile groove.

Renowned manufacturers of interior doors have been using floor door seals from the Deventer Group for years now to attain their sound insulation and smoke and fire protection objectives. The product range has now been restructured and some of the seals have been given new product designations in English instead of the usual German. Seven different seals are available in various lengths as standard, including those for exterior doors and balcony doors. If required, Deventer develops customer-specific floor door seals for the #perfectmatch between hardware, threshold and seal.



#perfectmatch: an entrance door with hardware and door lock from Roto, combined with a floor door seal from Deventer

Self-releasing floor door seals for exterior doors and balcony doors

Using floor door seals greatly improves the performance of exterior doors and balcony doors with a very flat threshold or zero threshold.

A balcony door with the DDS 1220 was exhibited in the Roto City at BAU in Munich. This Deventer seal has been optimally coordinated with the TB Eifel thresholds from Roto and standard window profiles with a 12 mm groove. It can be used if the door

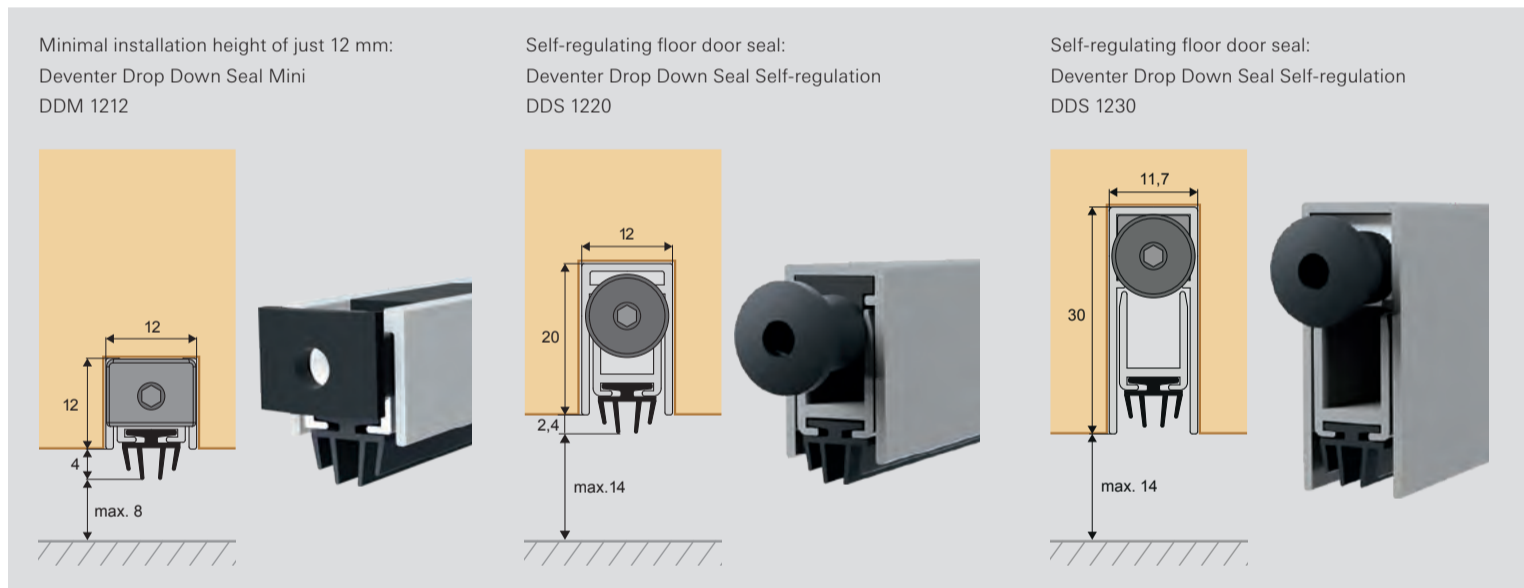
is manufactured with surface-mounted door hinges like Roto Solid B. The seal is simply screwed into the profile groove. All that can be seen on the outer side is an aluminium cover, which conceals the black PVC seal.

Easy to install

The self-regulating floor door seals from Deventer usually only have single-sided release, which makes it easy to crop them to size and adjust them. In contrast to this, adjustment on two sides – which used to be standard – is far more time-consuming and complex. In major projects which involve installing many doors with a floor door seal, installers know how important this time saving is. There is no need for visible metal or PVC brackets to protect against damage to the frame profile.

Maintenance made easy

The internal mechanics of the Deventer DDS 1220 and DDS 1230 floor door seals can be fully removed on the release side even after installation – a major advantage for maintenance. The door does not need to be unhinged, no mounting bracket needs to be unscrewed. No tools are needed.



➔ **Overview of Deventer floor door seals**

ftt.roto-frank.com/en/dds

Sound insulation, smoke protection and fire protection for interior doors

Manufacturers of interior doors reliably achieve their sound insulation, smoke protection and fire protection objectives with the proven floor door seals from Deventer.

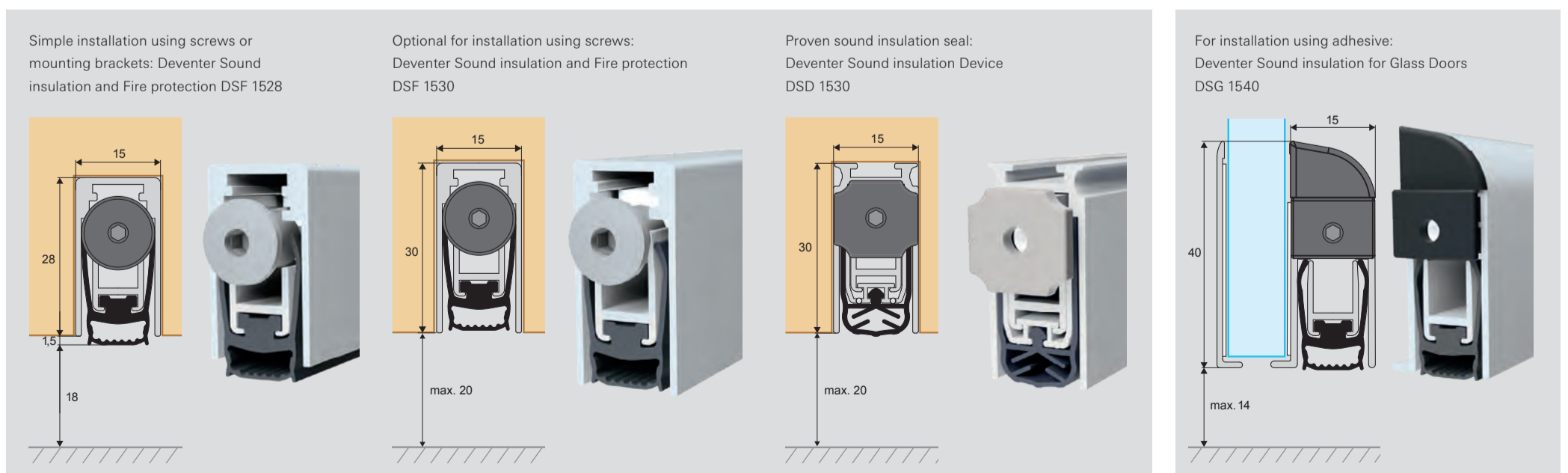
DSF 1528, DSF 1530 and DSD 1530 can be installed using mounting brackets or

alternatively mounted directly from below using pre-inserted screws. Installation using screws is ideal for processing on stacked door leaves. The DSD 1530 features in the test certificates of renowned manufacturers of interior doors, which attain sometimes exceptional sound insulation with their doors.

For installation using adhesive on glass and timber

The DSG 1540 floor door seal was designed specifically for installation using adhesive. This means it can be used to seal glass doors and also retrofitted to seal timber interior doors. In both cases, this seal from Deventer greatly improves sound insulation.

As the internal mechanics can be removed, the DSG 1540 makes it possible to change the release side easily and quickly. This enables this seal to be used for interior doors whether they are installed on the right or left. What's more, the product can be used regardless of the thickness of the door leaf. The sealing element and panel are adhered separately and are not joined together.



A look back at the BAU 2025 trade show

The #perfectmatch for windows, sliding elements and doors

■ **Event** An international meeting point for everyone who plans, constructs and designs buildings – this year’s edition of BAU served the same purpose as always. As the “impetus for the building of the future”, many decision-makers from the window and door industry regarded the trade show as an unmissable event. Extensive evidence of Roto’s system expertise awaited them in the urban backdrop of our Roto City.

Realistic room situations for private living and public buildings, as well as the special staging of Roto glazing technology and sealing profiles from Deventer and Ultrafab, created an engaging trade show experience. Roto host, CEO Marcus Sander, highlights the added value offered by the Roto City: “The staging of windows, sliding systems and exterior doors in different room situations gives visitors to the trade show the chance to experience for themselves the building- and room-specific benefits of our hardware solutions.”

The best partner worldwide

If building elements and hardware are selected with the function of the room in mind, it is easy to integrate important aspects like security, energy efficiency and operating convenience. This is guaranteed by the extensive range of Roto components for PVC, timber, timber-aluminium and aluminium building elements.

Seals from subsidiaries Deventer and Ultrafab and the Roto Glas-Tec product range for correct and reliable glazing make the perfect addition to the hardware solutions.

Now visit the Roto City online

Since BAU, all exhibits have also been on display at the trade show stand replicated online in the digital Roto City. This way, you can take a look at building elements with the perfect match made up of Roto components at any

time. Whenever you choose and accompanied by your Roto adviser. On this double-page spread, we’re giving you a taster of the solutions we showcased in Munich.

Design star

The Roto NX | C concealed hinge side is perfectly coordinated with the other components in the range, so it can be extremely flexibly integrated into any production process, even if this is highly automated. In addition to conventional window formats, with this hinge side it is possible to produce elements up to a width of 1750 mm and a height of 3000 mm at a sash weight of up to 150 kg in PVC. With the addition of a load transfer component and turn restrictor, timber elements up to a sash weight of 180 kg can be manufactured. This hinge side can be used to cater to the new trend for tall, slim windows, as well as for outward opening windows.

Space-saver

Large sliding windows and doors are popular around the world because of the great deal of space they save when opened. Roto is an internationally recognised supplier of premium hardware systems for sliding elements made from any frame material. At BAU, we successfully demonstrated how much comfort and user safety can be gained by choosing the right hardware. Each system has its own unique strengths: the established Roto Patio Inowa | Max for tightly sealed systems in all formats, as well as Roto Patio Lift and Roto Patio Inline | SR for aluminium elements with slim profiles.

All Roto

You receive optimally coordinated multipoint locks, thresholds, door hinges and sealing profiles from one provider. At BAU 2025, main doors demonstrated how a modern appearance, burglary inhibition, tight sealing and pleasant operating convenience benefit from the perfect interaction of our components.



Comfort with unparalleled design:

with its narrow diameter of just 18 mm, the **Roto Solid B | 318 P** three-part butt hinge for doors weighing up to 120 kg subtly blends into any door design. The door was equipped with the **lever-operated espagnolette Standard**, the **Roto Safe A | A700 – Tandeo** mechanical-automatic multipoint lock and the **Deventer DDS 1220 floor door seal**.



Secure in accordance with RC 2, resistant to driving rain and low-barrier: this balcony door with the **Roto NX | C** concealed hinge side, security components and the 20 mm **Roto Eifel TB threshold** attracted a lot of attention as a solution for designing attractive rooms and buildings.



Roto Patio Lift for elegance and security: this hardware for PVC and aluminium Lift&Slide systems impresses, even in high weight classes up to 400 kg, thanks to its exceptionally smooth operation and ease of use. Patio Lift can now also be equipped with MVS contacts for electronic locking monitoring.



“Opening restrictors are playing an increasingly important role in aluminium window construction for offices and public buildings. I highly recommend **Roto AL | ELA**, which locks in the end position and was also on show here in Munich. It is operated and controlled using only the window handle. This is both convenient and reliable. For our metalworking customers, it’s ideal that no additional routing is needed to install the ELA. We have been completely won over by this solution from Roto and therefore decided to add it to our range. I find the presentation here in the Roto City to be very informative.”



Jürgen Aschkowski, AKOTHERM GmbH, Germany
www.akotherm.de/en



Getting a handle on heavy weights: the **Roto NX | Power Hinge** hinge side ensures long-lasting quality and security on large timber windows. The anti-slam device can also be retro-fitted if required. The **Roto Com-Tec | Comfort S** wireless sensor was incorporated here for integration into a smart home system.

“We have been using Roto hardware to produce PVC windows since 2013. Our relationship with Roto has grown so strong since then that we seized the opportunity to use **glazing blocks** and **multipoint locks** for main doors from Roto too. In 2024, we put our state-of-the-art production facility for timber windows into operation, in which we want to use standard hinges and the **Roto NX | C** concealed hinge side. And last but not least, the partnership with Roto has given us the confidence that the decision to make this huge investment will pay off in just a few years. We are very optimistic about what the future has in store for our two companies.”



Cornelio Civera, CFG Serramenti, Italy
www.cfgserramenti.com



Operating convenience paired with RC 3: using wired, fully concealed contact elements from the **Roto E-Tec Control MVS** range (VdS class B), every PVC or timber window with Roto NX can be integrated into a burglar alarm system. This class RC 3 PVC window was created with the **Roto NX | P** hinge side. The specialists at Deventer offer sealing profiles optimally tailored to the hardware for tight sealing and pleasant, smooth locking characteristics.

Smart and tightly sealed in all frame materials: the **Roto Patio Inowa | Max** parallel sliding hardware is suitable for sliding elements, regardless of whether they are small or large. The Soft functions offer extra comfort. The combinable **SoftClose** and **SoftOpen** functions are used for sash weights of up to 200 kg. They gently brake the sash just before it reaches its final position and move it to the final position. The **SoftStop** function for sash weights above 200 kg is for dampened sliding and braking of the sash.

“This year, we are exhibiting at BAU for the first time and are very excited about the many customers we are meeting here. Our products with **Roto NX** and **Roto Patio Inowa | Max** are proving to be very popular. I went to the Roto stand at the trade show to find out more about the #perfectmatch between hardware and seal. I’m interested in the balcony door with the **Roto NX | C** concealed hinge side, Roto threshold and Deventer floor door seal.”



RC 2 in the tilt position: this 1715 mm-tall timber window features the **Roto NX | C** concealed hinge side. V locking cams, a lockable handle, drilling protection and three TiltSafe strikers for RC 2 burglary protection ensure mechanical burglary protection, even when the window is tilted. Load transfer and a turn restrictor have been installed due to the high sash weight. The **Deventer SP 7603 sealing profile** ensures a minimal closing pressure and therefore pleasant operating characteristics for the window.



Ergo Jüristo, Viking Window, Estonia
www.viking.ee/en/



An exciting new product at BAU: the easy-to-install Roto Solid turn restrictor

New: turn restrictors for aluminium doors

The elegant alternative to a door stop

■ **Door | Aluminium** The new concealed turn restrictor in the Roto Solid range makes the perfect addition to aluminium doors. It controls and gently dampens the door opening to an individually adjustable opening width up to a maximum of 125°. To protect walls, furniture, doors and hinges.

If a door swings open suddenly, this can cause damage to walls or furniture. This is why many home-owners are looking for a solution to brake the opening movement of a door early enough – either as a preventive measure or because such damage has already occurred. However, door stops screwed onto the floor or wall can quickly become trip hazards and act like magnets for dirt. The concealed turn restrictor is, by contrast, an attractive solution boasting a truly impressive performance for doors up to a leaf weight of 140 kg. The damped end stop makes the door easier to open and prevents it from being pulled open too forcefully.

Superior technology

The required maximum opening angle of the door is individually defined by the position of

the slide bar in the frame. The setting of the damping element can be used to additionally adjust the opening angle and configure the optimal settings for the damping. The new turn restrictor is simply screwed on to the top of the door in the rebate of the frame and leaf without routing, so it can even be retrofitted. It is available in black or with an STS surface. All that's required for installation is a T25 hexalobular socket screwdriver. Adjustments are carried out using a 2.5 mm hex key.

Preassembled and requires no maintenance

The door hinge and turn restrictor come from one provider, ensuring efficient processing of orders and deliveries. The turn restrictor is supplied fully preassembled so that it can be used for doors installed on the right and left alike. A door with the concealed Roto Solid C door hinges and the turn restrictor was tested over 200,000 opening cycles in accordance with DIN EN 1191. This guarantees durability without the need for maintenance. The Solid turn restrictor boasts class 4 corrosion resistance.

The opening angle is defined quite simply and individually by the position of the slide bar and the setting of the damping element. No need for routing: it comes fully preassembled.



Concealed hardware for aluminium windows

Three hinge sides in the Roto AL Designo | STS range



■ **Aluminium** In future, the Roto AL Designo | STS range will include three concealed hinge sides for almost all common aluminium profile systems. A new load transfer component makes it possible to produce sashes weighing up to 130 kg.

The demand for aluminium windows of the Turn-Only and Tilt&Turn opening types, usually with concealed hardware, is growing on an international scale. One of the reasons for this is that the inward opening version of these is safe to operate even on the upper floors of a high-rise building. The Roto AL and Roto AL Designo hardware product ranges include reliable yet innovative hardware solutions for this window type. The possible applications of these two lines are being extended again in 2025. The Roto City at BAU demonstrated the exciting prospects of this.

Up to 130 kg with load transfer

For years now, many well-known manufacturers have been using the AL Designo concealed hinge side to produce Turn-Only and Tilt&Turn windows in a wide variety of formats. The AL Designo | STS hinge side has been available worldwide since 2022. It is also suitable for flush window systems and for installation with minimal clearance. A new load transfer component for this hinge side now makes it possible to produce elements with a sash weight of up to 130 kg, by far surpassing the previous limit of 80 kg. As a result, elements with increased energy-related requirements and insulating glass can be produced reliably.

For profiles with a slim frame groove

Before the end of this year, another version of the AL Designo | STS hinge side for profiles with a narrow frame groove of 10 mm will be launched. It is already available for frame profiles with a groove width of 14 mm. This means that the AL Designo | STS range will soon include a total of three concealed hinge sides for almost all common aluminium profile systems. The hinge side is quick and easy to install thanks to the mounting wedges, just like you'd expect from Roto.

Opening up to 180°

A new addition is a hinge side for sashes weighing up to 80 kg which is turned open up to an angle of 180°. If this is fitted, the window sash does not protrude into the room when fully turned open. Using the AL Designo | STS 180° hinge side means that it is now even simpler to carry out safe intensive ventilation and cleaning of the outside of the window.

Class 5 corrosion protection

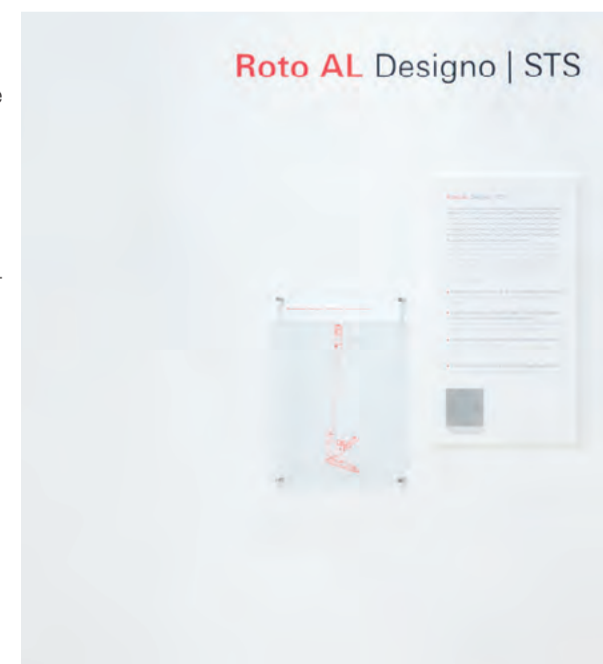
The new load transfer component as well as all hinge sides in the AL Designo range achieve class 5 corrosion protection in accordance with DIN EN 1670, representing the highest level. This is to ensure that aluminium windows work reliably for a long time to come, in any climate and any region on earth.

“Coming soon”

At BAU, Matthias Nagat, Head of Sales and Product Management at Roto Aluvision, announced further new products that will be launched over the course of the year: “It is a challenge to produce attractive aluminium windows for a premium appearance while achieving the highest classification in terms of long-term functional performance cycles and corrosion protection class. Roto helps to design and manufacture these worldwide with an all-encompassing service, reliable hardware for every profile system and a wide range of accessories. 2025 will be characterised by additions to our product range that are important for the future – you have a lot to look forward to.” As do we.



Matthias Nagat, Head of Sales and Product Management at Roto Aluvision



➔ Download the turn restrictor brochure

ftt.ROTO-FRANK.COM/en/turn-restrictor



New to the market: concealed hinge side for Roto AL Designo | STS 180°. The sash does not protrude into the room when turned all the way open.



Glazing blocks from Roto: experience the diversity of the Glas-Tec product range.



Roto Glas-Tec

Hot topic of glazing

■ **Accessories** The #perfectmatch that is so important for the operating convenience and sealing of windows, balcony doors and sliding systems was present in every part of the Roto stand at the trade show. Hardware, glazing blocks and sealing profiles of tested quality – more and more manufacturers are choosing to buy these components from one provider: Roto.

It wasn't just attendees at the trade fair in Munich who already use Roto hardware who were interested in the vividly presented information about the Roto Glas-Tec product range. Which glazing block solves which installation problem? How can reliable spacer blocking be provided for heavy glazing in all frame materials? The answers to these questions could be found in the Roto City. Your specialist adviser in Roto Sales would be happy to provide you with comprehensive information about the Roto Glas-Tec product range.

The stars of the new Roto Glas-Tec video



Easy to install with brake membrane

Roto Glas-Tec | GL-B solves a problem which wastes time in window production and can lead to processing mistakes with serious consequences: its two brake membranes ensure the best hold without additional fixing in a vertical position. Once in place, this glazing block therefore stays exactly where it belongs in the glass rebate, and doesn't slip or fall down either. The GL-B's asymmetrical profile leg system makes it both incredibly stable under continuous pressure and able to bear loads.



For triple glazing up to 60 mm

Roto Glas-Tec | GL-IB is perfect for the spacer blocking of triple glazing. The special geometry of the ventilation channel as well as the reinforced profile leg system enable load transfer for functional glazing up to 60 mm thick. The ventilation channel of the GL-IB ensures constant rebate area ventilation and vapour pressure compensation.



For challenging installation situations

Whenever the glass and frame combination in complex facades and protruding substructures is exposed to unusual forces, the Roto Glas-Tec | GL-UKS universal block helps give an element stability. A 1.5 mm-thick stainless-steel insert and the flexible glass supporting surface are just a few of its specific features. Thanks to its high inherent stability, the GL-UKS ensures load transfer of heavy glass even in challenging installation situations.



Two components for greater protection

Roto Glas-Tec | GL-UK was developed for the spacer blocking of high-quality insulating glass such as bulletproof glass, laminated safety glass, sound insulation and sun protection glass. With its flexible supporting surface, it protects delicate glass edges and compensates for offset glass edges and glass edges which are not at right angles. Its robust base makes it incredibly stable under continuous pressure and able to bear loads. The GL-UK is also available with a block length of 120 mm for an even higher load-bearing capacity.



➤ See some of the effective glazing blocks for yourself here:

ftt.roto-frank.com/en/glas-tec-video (YouTube)



➤ Certainty in planning and implementing special aluminium solutions

ftt.roto-frank.com/en/rob



Soon also for profiles with a slim frame groove of 10 mm: AL Designo | STS

Access Window and Door Group, Canada

For energy efficiency and sustainability

■ **PVC** The managing partner of the Canadian Access Window and Door Group looks back on more than 10 years of successful corporate development and partnership with Roto. In 2014, Henry Wiens and his wife Helly acquired an existing window production in Winkler, Manitoba.

Their goal was to transform the company to better fulfill the unique preferences of discerning customers. A year earlier, the couple opened the Access Window and Door Design Center to focus on advising architects, builders, and homeowners. Henry quickly realized, "I wanted to oversee the entire process, from the initial design to production and installation."



From the initial consultation to production and installation, Access has full control over the entire process.

With German profiles and hardware

Transitioning the manufacturing plant to German profiles and Roto hardware systems was a welcome change for his experienced employees. "The motivation was immediate and continues to this day." His employees supported Henry Wiens, knowing he values high-quality components and meticulous craftsmanship, a commitment they still appreciate today. From the very beginning, the team at Roto North America was at his side.

"Access and Roto are committed to the same values."

Their 10 years of collaboration have clearly demonstrated this. "For example, being close to our customers is important to both of us." This mutual commitment fostered a deep sense of trust between the two companies.



Company founder, Henry Wiens, thanked all employees of the Access Window and Door Group, as well as his family, for their tireless efforts at a celebration to mark the company's 10th anniversary.

Tight, secure, comfortable

Since Access was founded, Henry Wiens has been a strong advocate of European Tilt&Turn windows. He believes they should attract more attention in Canada and the U.S. as a highly sealed solution reliable in any climates and conditions. "We are seeing the market share of Tilt&Turn windows grow, thanks in part to our efforts and promotion."

In the meantime, many interested parties are already requesting Tilt&Turn window when they come to Access. Henry Wiens believes that these windows are the key to the company's steady business in today's highly competitive market.



Access supports builders, for whom sustainability and energy efficiency of their home is important, with comprehensive advice and versatile windows and doors.

Light-flooded rooms with high energy efficiency are highly desired by Canadian builders. All images of this article: Access Window and Door Group

Collaborating to optimize processes

When the transition from Roto NT to Roto NX was imminent, Access seized the opportunity to improve the efficiency of all its processes. John Allaster, Business Region Manager for Eastern & Central Canada at Roto North America, was an important partner during this time.

"The entire Roto organization provided us with excellent support."

With Roto NX, Access is now producing both economically and securely. "Roto's innovation is unmatched. Their expanding hardware range continually enhances flexibility and performance," praises the Canadian window manufacturer.

This is important, he says, as Access impresses most customers by fulfilling their design and security needs. The comprehensive service, from initial consultation to the installation of windows and doors, ensures their satisfaction.

"We support our customers in enhancing both the design and quality of their homes by providing windows and doors that offer superior comfort and ease of use. Our high-quality windows and doors have been validated through all relevant tests and certifications, including NFRC and Energy Star."

Sustainable and secure

In recent years, Access' customers have increasingly sought environmentally friendly building materials and high energy efficiency. At the same time, doors and windows should be durable, maintenance-free, user-friendly, and aesthetically pleasing. "The requirements are high. We redefine the building elements for each customer, finding their unique combination of quality, design, security, and price." But there is one constant:

"Roto NX fits every customer's unique concept."

Currently, the market for high-quality energy-saving windows is still too small for his taste. "But we are convinced that this will change soon," emphasizes the visionary. The number of built Passive Houses is growing, and sustainable construction is gaining importance in Canada. At the same time, the requirements for burglary inhibition are increasing as well. "Customers are asking for swing doors with multipoint locking systems such as Roto Safe H | H650. In addition, the interest in electronic opening systems is rising." Architects are working on Smart Home concepts. For Access, this means: "The future will be very exciting! We look forward to meeting all trends and requirements with the help of Roto."

Sliding doors in vogue

Henry believes the demand for tightly sealed sliding patio doors is a new trend. "Light-flooded living spaces that can be opened as wide as possible, but also close tightly in cold and rain, are a dream for many builders and homeowners. The Roto Patio Lift Lift&Slide system impresses our customers with its functionality, while the Roto Patio Inowa parallel sliding system stands out with its elegant appearance and high impermeability. We believe both systems have great potential for the future."

Looking ahead, the Access team is excited to expand its product range to meet evolving customer needs. As the entrepreneur announces, "Equally important to us is our commitment to reducing Access' ecological footprint. Meeting customer requirements with sustainable, ecologically optimized products is an exciting challenge we are eager to embrace."

www.accesswd.ca



↗ **Economical, safe, convenient, design-oriented: overview of Roto NX**

ftt.roto-frank.com/en/nx



On two floors, the Access Window and Door Design Center presents diversity in design and function.

The swing door pictured below was manufactured by Access. With the multi-point locking system Roto Safe H | H650 and screw-on hinges Roto Solid S | 105 NN for swing doors up to 265 lbs. (120 kg) sash weight.



Glazing blocks play a key role in ensuring that a window functions without any issues in the long term. Blocks with proven material compatibility provide peace of mind. Roto Glas-Tec blocks are monitored on a continuous basis.



Ensure quality with tested glazing blocks

Certified material compatibility

■ **Accessories** Glazing blocks from the Roto Glas-Tec product range provide long-lasting protection against damage to the glass and window. How do we know this? Their material compatibility with common edge composite materials used in insulating glass is tested on a regular basis. They are certified by ift Rosenheim. This means that the likelihood of dangerous deformation or even the disintegration of the glazing block or a change to the edge composite material is almost zero.

In Roto Inside 56, we showcased glazing blocks from Roto designed to meet various different requirements. The processing of these blocks was the subject of an article in Roto Inside 57. Today we'll be revealing to you why we dedicate a lot of time to testing the material compatibility of the glazing blocks in the Glas-Tec range. The focus is on their compatibility with the edge composite materials and laminated safety glass films (LSG films) on panes of insulating glass.

Creeping process
Glazing blocks prevent the glass edges and edge composite from coming into contact with the profile, which could cause damage to the glass edge. So far, so clear. However, creeping quality loss can be dangerous for the glazing and the window.

If there is a lack of material compatibility between the edge composite of the pane or the LSG film and the glazing block, this makes a window less secure and durable. A phenomenon known as migration occurs. Low-molecular-weight materials like plasticisers "migrate", which can alter the properties of glazing blocks, edge composite materials and LSG films.

The direct consequences of incompatible materials include deformation or even disintegration of the glazing block or reduced effectiveness of the edge composite. This leads to cracks in the glass and glass breakage, but also condensation in window panes and discolouration, as well as delamination. The stability of the element as a whole is jeopardised. Its functionality is limited.

Huge responsibility
A lack of material compatibility between the edge composite material, the LSG film and the glazing blocks used may cause the window sash to malfunction and become damaged. Customers are likely to seek redress from the window or door manufacturer if this issue occurs – as they are entitled to do so. After all, legislators also share the opinion that every window manufacturer is responsible for testing the compatibility of all the materials used in the window:

This is why you need to be proactive and prevent liability-related risks!

Clear requirement
Glazing blocks, the edge composite material and the LSG film of a window system must not negatively impact each other when they come into contact. Technical Guideline (TR) No. 3 of the Glazier Trade sets this out clearly: "Materials are compatible with each other if no harmful interaction occurs between them." Even air humidity or temperature fluctuations must not alter the synthetic material from which a block or the edge composite is made.

As a fabricator, you are required to observe your products and their behaviour under real conditions. A correctly performed material compatibility test provides a kind of preview of how the products will develop over the entire lifetime of a window. It simulates how the blocks interact with the edge composite or the LSG film over a prolonged period. This makes it possible to rule out potential damage that might only become apparent after installation and after a few years have passed, had a test not been performed.

Unique test service
If you want to be certain that there will be no issues with your window system due to incompatible materials, you can count on the extensively tested blocks from the Roto Glas-Tec range. They have been certified by ift Rosenheim in accordance with ift guideline VE-05/01 in certificate QM 330 and are monitored on a continuous basis. In the in-house International Technology Centre (ITC), the edge composite materials included in the certificate are tested at regular intervals to ensure that they are compatible with the various glazing blocks. In addition to the edge composite materials in ift certificate QM 330, you can also commission us to perform individual material compatibility tests at any time.

It is our aim to ensure that your windows maintain their high level of quality for many years to come. Seek advice now and make use of the unique Roto test service in the International Technology Centre (ITC).



Quality standards of windows and doors from Access



John Allaster from Roto North America, pictured left, has been an important discussion partner for Henry Wiens for many years.



↗ **Comprehensive technical documentation on spacer blocking**

ftt.roto-frank.com/en/glazing-guide



↗ **The ift certificate for download**

ftt.roto-frank.com/en/conf-glas-tec

Viking Window, Estonia

Sliding windows and doors: "Here to stay"

■ **Timber | Timber-aluminium** Viking Window in Estonia has been producing its Innova sliding systems since August 2017. It recently began using the Roto Patio Inowa | Max all-round sliding hardware for all formats. Ergo Jüristo, Head of Development at the company, is certain that "sliding windows and doors made their way from hot countries to us in the north – and they're here to stay."



Indrek Rüütel, member of the board of directors (left) and Ergo Jüristo, Head of Development, Viking Window



The floor-to-ceiling Innova system from Viking Window floods the small extension with daylight. Thanks to the low-barrier exit, the kitchen and patio blend together into a single room. No sash protrudes into the kitchen area when the sliding door is open. The cooking island can be fully surrounded and used from all sides.



➤ **Video: intelligent hardware with concealed technology for tightly sealed sliding doors**

ftt.roto-frank.com/en/inowa-max-video (YouTube)

This has led Viking Window to develop tightly sealed elements which easily achieve a U value of less than 0.8 W/m²K depending on the size and equipment, to give just one example. "The American Passive House Institute classified our Innova elements as 'recommended' and listed them." This is clear proof that sliding windows and doors with a smart design offer sealing and thermal insulation properties that are just as impressive as those of Tilt&Turn elements.

Until now, Viking Window mainly produced systems with an outward running sash, like those that are popular in Scandinavia. However, the spectrum of formats is vast: from a narrow kitchen window to a large patio door, there is high demand for varied Innova elements in almost all export markets.

Crisis-proof

While demand for building elements of other opening types has suffered due to the numerous crises which have occurred in recent years, demand for sliding systems remains at a consistently high level. "We notice at trade shows here in Estonia, in Scandinavia, the United Kingdom, Germany and the USA that nothing interests attendees as much as the user-friendly Innova systems."

Indrek Rüütel, member of the board of directors and quality management expert, even has an Innova system in his own home. "As a user, on a daily basis I'm pleased with how easy it is to operate. Particularly when you're stepping on to the terrace and want to easily close the door behind you with just one hand, you notice how

simple it is to move the leaf. At the same time, the circumferential seal provides comfort without draughts."

An Innova system was installed in the company building to provide access to the roof terrace so that Viking Window employees could see for themselves what makes an Innova system so unique. "Even our most petite colleagues are able to slide the sash open and closed with ease," Jüristo grins.

One hardware system for all formats

Rüütel explains how he has never regretted switching over to the Roto Patio Inowa | Max all-rounder in 2024. "We also sell small sliding systems in which the sash weighs perhaps 100 kg. In these systems, it's a benefit that the front roller unit in Roto Patio Inowa | Max can be adjusted." The SoftClose and SoftOpen comfort functions are also very popular with many customers. Especially in the USA, most customers see these as a non-negotiable.

Viking Window knows just how important the high level of flexibility the hardware brought to production is: "We can use it to implement all sash formats and weights up to 400 kg. And, of course, also systems with an inward running sash, which we would like to add to our range as well as elements of resistance class RC 2. This guarantees that Innova systems will represent an ever-increasing proportion of the total number of sliding systems we produce." In particular, kitchen windows with the Roto Patio Inowa | Max hardware are growing in popularity.

Reliability for products and services

Triple glazing is standard for all Innova systems from Viking Window. Rüütel admits that "the high glass weight and the lasting trend for large glass surfaces are not only a challenge for our installers, but also for the system as a whole, with the profile, hardware and seal." But the company places its full trust in Roto after almost 20 years of collaboration.

Head of Development Ergo Jüristo in front of an outward running Innova sliding door installed in the Viking company building.

"For sliding elements, Roto Patio Inowa | Max is without a doubt the best way to meet all market requirements."

At the same time, Roto offers exceptional delivery reliability, which is important for the value proposition of Viking Window. Head of Development Jüristo explains: "We are always asking how satisfied our customers are. That's the real 'hard currency' for us. And customers are only satisfied if both the product quality and the delivery performance are right."

Together with Roto, in future we want to continue working on further increasing efficiency in manufacturing and therefore providing experienced staff in production with the best possible support. Rüütel concludes by outlining what the next few months have in store: "The market demands a high level of flexibility, and it's our aim to fulfil even special requests, for example with regard to formats and colours, within the usual short delivery time. This means that we're investing in the future and modern systems." The expertise of Roto technicians is welcomed in preparation for this. www.viking.ee/en/



Viking Window in Estonia uses the Roto Patio Inowa | Max all-round sliding hardware for all formats of sliding elements. All photos on this page: Viking Window

Roto NX | C concealed hinge side

Efficient installation, versatile design

■ **PVC | Timber | Timber-aluminium** The Roto NX | C concealed hinge side for PVC and timber profiles with a 13 mm hardware axis has been available since summer 2024. The editorial team spoke to experts in sales and development at Roto and to Thomas Reibe from Josko Fenster und Türen GmbH about what this hinge side means for the future of the fenestration industry.

Volker Fitschen, Managing Director for DACH at Roto Frank Fenster- und Türtechnologie, sums up the feedback that has come from Germany, Austria and Switzerland so far: "The Roto NX Tilt&Turn hardware system represented a significant advance in window technology when it was launched in 2018. The Roto NX | C concealed hinge side embodies state-of-the-art technology and redefines the standards for concealed window hardware. Roto NX | C is a groundbreaking hardware solution for manufacturers who want to extend their range while maintaining efficient production processes."

Embodying continuous improvement

Austrian window and door manufacturer Josko has been using the previous hinge side for more than a decade. Thomas Reibe takes a look back: "Each time a new window system is released and sash weights increase, the requirements for the hardware change. The ambition of Roto, as the first manufacturer to offer an almost perfect concealed hinge side, has kept pace with these developments. This is a real commitment that pays off in all aspects for us and everyone who supports good window design."

Concealed hardware becomes more attractive

Eberhard Mammel, Director of Marketing and Product Innovation at Roto Frank Fenster- und Türtechnologie, is certain: "The greater variety of formats and sash weights is a major benefit of Roto NX | C. What's more, the sash is intuitive and simple to hinge and unhinge, which is an additional bonus for window manufacturers who want to use concealed hinge sides." Window manufacturers can use Roto NX | C, for example, to produce even larger and heavier timber windows and open up new options for architects and builders. This trend is also noticeable on an international scale, describes Mammel.

Efficient production with any hinge side

Fitschen underlines: "Thanks to the possibility of choosing from different surface-mounted and concealed hinge sides in the Roto NX modular system, manufacturers can diversify their product lines while ensuring efficient production processes."



The Roto NX | C concealed hinge side makes a wide range of window formats possible in various versions and levels of security. It is also available with the optional TiltSafe (burglary inhibition up to RC 2 in the tilt position) or TiltFirst (tilt before turn) functions.

Image: Josko, photography: Sabine Bungert

High sash weights and flush profile systems

The retrofittable load transfer component makes sash weights of up to 150 kg possible for PVC windows and up to 180 kg for timber and timber/aluminium windows. "Nowadays, an increasing number of manufacturers are using flush profile systems or extremely narrow profile views. Roto NX | C is designed for this exact purpose," explains Mammel. The uninterrupted, circumferential sealing level assists with thermal and sound insulation in the window system.

Production changeover made easy

"Switching over to Roto NX | C is in line with established standards and is quick and simple to do," explains Andreas Eberts, Head of Roto Lean Management and the Data Service for the DACH Region. "For window manufacturers who currently use our Roto NT | Designo

concealed hinge side, only a few components are different." Manufacturers who already use the Roto NX surface-mounted hinge sides will also be pleased about how easy it is to enter the world of concealed hinge sides. "Since the sash components are, for the most part, identical to those for the Roto NX | P and Roto NX | T surface-mounted hinge sides and are therefore part of the Roto NX modular system, many assemblies are already present in the system. The additional items needed for the concealed hinge side C are manageable," sums up Eberts.

Custom data service including project planning

If you would like to add the Roto NX | C concealed hinge side to your product range, the first step is for your assigned Roto sales expert to inspect your profile system. This is generally followed by a demo assembly to illustrate the advantages the system offers for your

Advantages to boost efficiency during assembly at the plant and on the construction site

- Many of the same parts are used
- Easy to automate
- Central locking system is identical to that for surface-mounted hinge sides
- Same mounting principle for the three sash-stay sizes of Roto NX | C
- Identical sash-stay installation for all sash dimensions
- New clip principle for easy mounting of the sash
- Simple tilt depth adjustment when the sash is installed
- Load transfer is easy to adjust for high sash weights using pre-tensioned spring and inspection window



➤ **Details on the Roto NX | C hinge side**

ftt.roto-frank.com/en/roto-nx-c



Volker Fitschen,
Managing
Director for
DACH,
Roto Frank FTT
Vertriebs-GmbH



Eberhard
Mammel,
Director of
Marketing
and Product
Innovation,
Roto Frank
Fenster- und
Türtechnologie
GmbH



Andreas Eberts,
Head of
Roto Lean
Management and
the Data Service
for the DACH
Region



Thomas Reibe, Head of the Development and Product Management, Master Data and Innovation Management department, Josko Fenster und Türen GmbH

Image: Josko

■ **Customer testimonial** Around 95% of the Turn-Only and Tilt&Turn windows produced by design-focused company Josko since 2010 have been equipped with concealed hinge sides from Roto. Over a million units have been sold since then.

Demand is growing for flush profile systems and ever-slimmer profile views. At the same time, larger sash formats and higher sash weights are resulting in more stringent requirements. The time has come for an exceptionally effective concealed hinge side which can be used for a wide range of applications.

Thomas Reibe is certain that: "The Roto NX | C hinge side is the ideal hinge side for us. We have been working with Roto as a partner since

2010 and together we are committed to adapting components to changing requirements in design and production technology on a continuous basis. You can see from hinge side C how different departments at Josko were consulted: production and installation, design and development, marketing and sales all have their demands met by Roto.

Roto NX | C will fully cover the expected demands over the next few years. The class H3 durability tests have been passed. Now more formats and larger formats are possible. The standardised bayonet mounting principle makes sash installation quicker and more reliable. Adjustment and maintenance are also simpler. The same is true of the integrated tilt depth restriction as well as of the optimised

turn-out curve for our flush profiles. Another handy benefit: for basic security versions of floating-mullion windows, we can now use the centre closer from the range of surface-mounted Roto NX hinge sides. The design of hinge side C has also been optimised so that the hardware components are better protected against dust in the construction phase, for instance.

Thanks to these many attractive features, Josko chose to equip Tilt&Turn windows in all existing and future systems made from any frame material with Roto NX | C. It's clear to me that nowadays it's possible to produce durable, reliable windows with a concealed hinge side."

www.josko.com

Easy to install and efficient

Identical parts for Roto NX and Roto Patio Alversa

■ **All frame materials** At Roto, ease of installation is considered early on, at the stage when products are designed and product ranges are developed. Experts systematically work on hardware, sealing profiles and glazing methods which make building element production easier, safer and more economical.



➤ **Details on ease of installation with Roto**

ftt.roto-frank.com/en/installation

Equal consideration is given to their use in manual, semi-automated and fully automated production. "Roto designers put a lot of effort into ensuring that our customers have an easier time later on," summarises Kevin Bienert, Head of the Project Management Office, Standards & Data Management. Roto also feels a shared responsibility for the customer's IT costs. "Each additional component results in cost and effort for programming the plant and process control system. Therefore, the fewer components we need in order to provide varied solutions and wide application ranges, the better."

Increasing number of identical parts

A Roto hardware component should be able to be used with maximum flexibility and processed quickly and reliably, summarises Bienert. This is because utilisation of identical parts plays a central role in ensuring production efficiency in a world of complex products and individual requirements for windows and doors. The design of Roto NX represents a major step in terms of increased efficiency. Many components developed for this Tilt&Turn hardware are now found in other Roto window, door and sliding hardware products. PaX AG is also benefiting from this.

The "dream team":

Roto NX and Roto Patio Alversa

Since 2022, PaX AG has used the Roto NX Tilt&Turn hardware product range in the production of PVC windows, but also timber and timber-aluminium windows, at its four locations. The next step for the company was converting its sliding systems to use the Roto Patio Alversa hardware product range. Konrad Schürer, Technical Director of the company, describes the significant effects on the efficiency of the company's production processes: "Changing over our sliding systems to the Roto Patio Alversa was the next logical step towards a standardised hardware system across different opening types. Roto NX and Roto Patio Alversa, which each provide their own benefits for the end customer, differ very little in terms of production."

Flexibility combined with high productivity

Of course, Patio Alversa is its own separate system, but the hardware croppers, cropping ranges, corner drives, centre locks, etc. are again identical to Roto NX, emphasises Schürer. The utilisation of identical parts therefore offers direct benefits for PaX AG and its staff in production. "Modern building element production needs to be very clearly organised

to ensure that there is no negative impact on productivity due to frequent model changes," explains Schürer. "Very similar hardware structures are beneficial for this."

Quite simple mistake-free

PaX AG employees value the ease of installation and the reliability that Roto builds into the hardware, confirms Schürer. "It is simply not possible to install a spacer the wrong way around, for example." It's good for sales that sliding systems based on Roto Patio Alversa, just like Tilt&Turn windows with Roto NX, offer improved burglary protection thanks to V cams. "Our customers and their installers are already familiar with this. Our decision to use Alversa therefore gives us a good image when it comes to burglary protection too."



Konrad Schürer,
Technical Director,
PaX AG



Kevin Bienert,
Head of the
Project Management
Office,
Standards & Data
Management,
Roto Window and
Door Technology



➤ **Roto Patio Alversa: universal hardware for minimum effort in Parallel Sliding and Tilt&Slide systems**

ftt.roto-frank.com/en/alversa-video (YouTube)



➤ **Roto NX: One hardware system – limitless possibilities**

ftt.roto-frank.com/en/nx-video (YouTube)

➤ Follow us on social media:



Blog



LinkedIn



YouTube



Instagram

Imprint

Publisher:
Roto Frank Fenster- und
Türtechnologie GmbH
Wilhelm-Frank-Platz 1
70771 Leinfelden-Echterdingen
Germany
ftt.communications@roto-frank.com

Responsible as defined by Section 55 (2)
of the German Interstate Broadcasting
Agreement: Daniel Gandner

Editorial Board: Sabine Barbie,
Daniel Gandner, Fabian Maier,
Eberhard Mammel

Project Management:
Sabine Barbie
roto-inside@roto-frank.com

Text: Comm'n Sense GmbH
roto.inside@commn-sense.de

Design: Mainteam
Bild · Text · Kommunikation GmbH
info@mainteam.de

Printing: Offizin Scheufele
Druck und Medien GmbH + Co. KG
info@scheufele.de

Image sources (page):
CFG Serramenti (5); Access Window and Door Group (8, 9); goodluz – stock.adobe.com (9);
Viking Window (10); Sabine Bungert – Josko Fenster und Türen GmbH (11);
Roto FTT and subsidiaries (all others)

To improve the reading flow, only the
masculine form is used in some parts
of the text. Within the meaning of
equal treatment, the corresponding
terms apply neutrally to all genders.

Roto Inside 58 is published in the
following languages: CZ, DE, EN,
ES, FR, HU, IT, NL and PL.